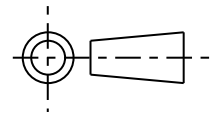


ISS.	DATE	E.C.N.	DESCRIPTION
1	14-May-09		FIRST ISSUE
2	19-Feb-10	02/10/1264	CHANGE GATE SIZE & ADDED 13° DRAFT

© 2008 CARCLO
ALL DIMENSIONS IN mm



CARCLO TECHNICAL PLASTICS (SLOUGH)
111 BUCKINGHAM AVE, SLOUGH
SL1 4PF, ENGLAND
TEL: +44 1753 575011 FAX: +44 1753 811359
e-mail: design@carclo-optics.com

CUSTOMER DRAWING

GENERAL TOLERANCES (UNLESS STATED)

LINEAR	ANGULAR
X +/- 0.25	X +/- 1°
X.X +/- 0.1	X.X +/- 0.5°
X.XX +/- 0.05	X.XX +/- 0.1°

CUSTOMER

CARCLO

TITLE

10MM QUAD OPTIC SPOT
SQUARE FLANGE

DRAWN

MKI

DATE

14-May-09

CHK'D

DATE

APP'D

DATE

SCALE

2:1

CARCLO PART No.

10610

SIZE

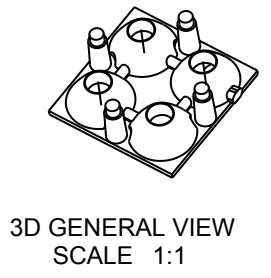
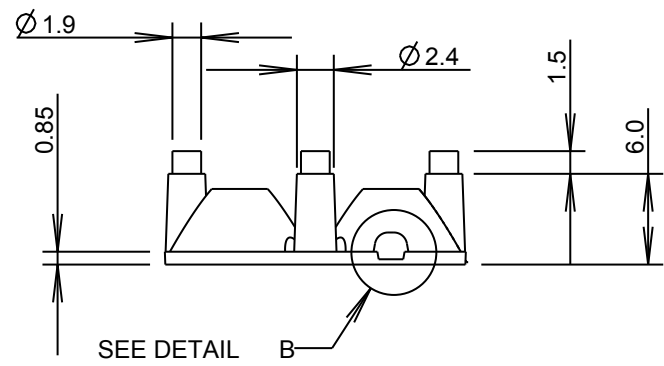
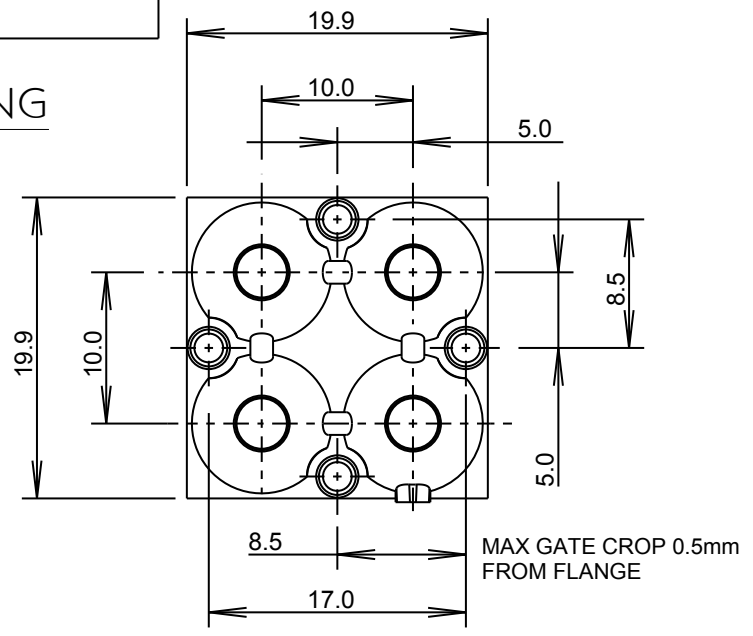
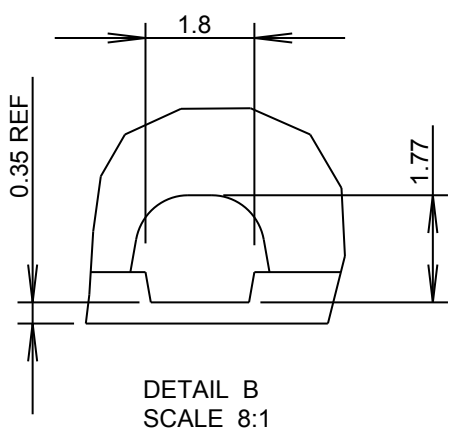
A4

CARCLO DRG. No.

60548

SHEET

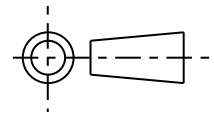
2 OF 3



MATERIAL - UV STABILISED CLEAR POLYCARBONATE

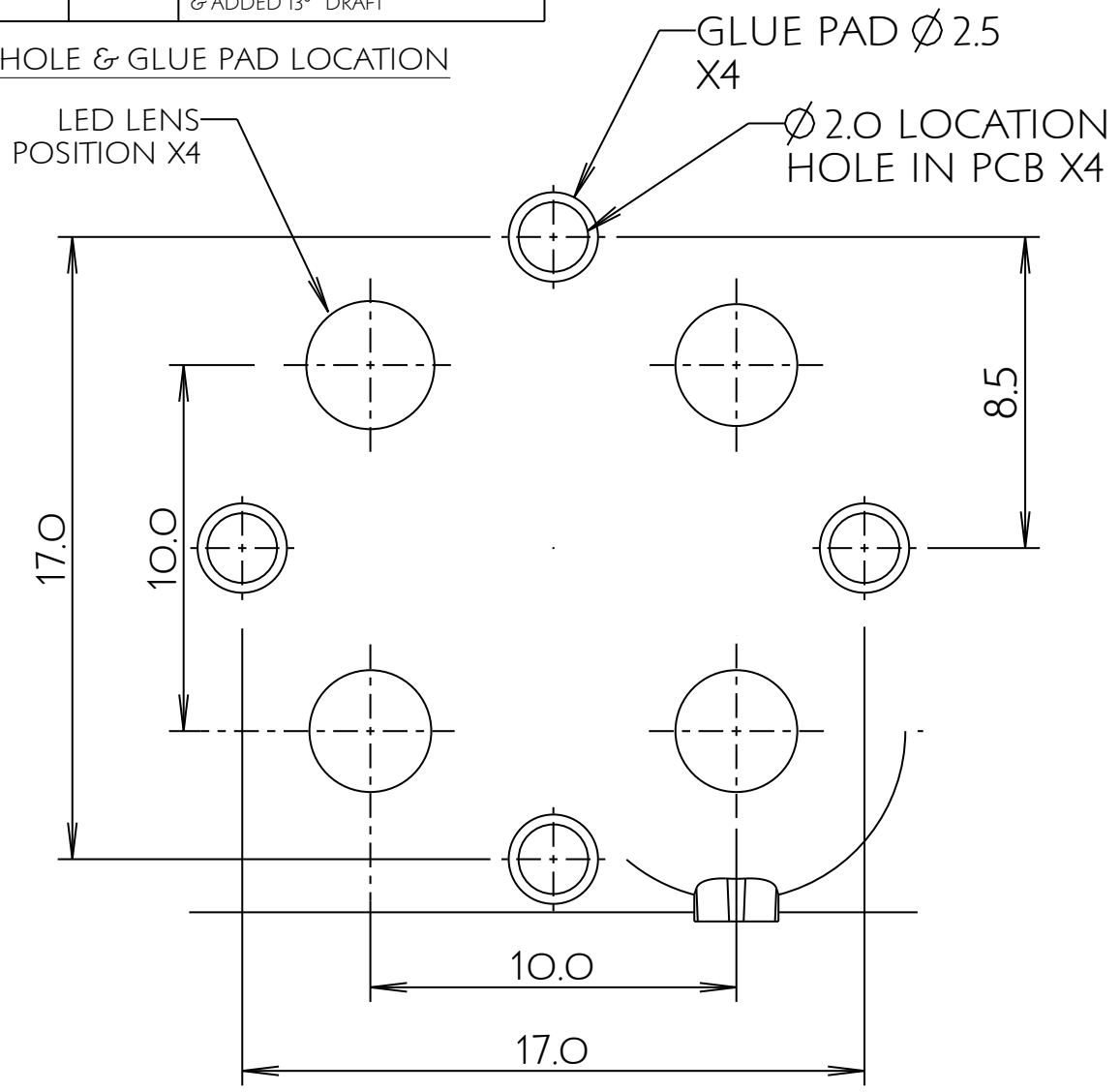
ISS.	DATE	E.C.N.	DESCRIPTION
1	14-May-09		FIRST ISSUE
2	19-Feb-10	02/10/1264	CHANGE GATE SIZE & ADDED 13° DRAFT

© 2008 CARCLO
ALL DIMENSIONS IN mm



CARCLO TECHNICAL PLASTICS (SLOUGH)
111 BUCKINGHAM AVE, SLOUGH
SL1 4PF, ENGLAND
TEL: +44 1753 575011 FAX: +44 1753 811359
e-mail: design@carclo-optics.com

PCB HOLE & GLUE PAD LOCATION



GENERAL TOLERANCES (UNLESS STATED)

LINEAR	ANGULAR
X +/- 0.25	X +/- 1°
X.X +/- 0.1	X.X +/- 0.5°
X.XX +/- 0.05	X.XX +/- 0.1°

CUSTOMER
CARCLO

TITLE
10MM QUAD OPTIC SPOT
SQUARE FLANGE

DRAWN DATE
MKI 14-May-09

CHK'D DATE

APP'D DATE

SCALE CARCLO PART No.
2:1 10610

SIZE CARCLO DRG. No. SHEET
A4 60548 3 OF 3