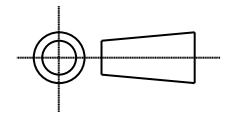


| | | | |
|------|-----------|--------|-------------|
| ISS. | DATE | E.C.N. | DESCRIPTION |
| 1 | 14-May-09 | | FIRST ISSUE |

© 2008 CARCLO
ALL DIMENSIONS IN mm



CARCLO TECHNICAL PLASTICS (SLOUGH)
111 BUCKINGHAM AVE, SLOUGH
SL1 4PF, ENGLAND
TEL: +44 1753 575011 FAX: +44 1753 811359
e-mail: design@carclo-optics.com

CUSTOMER DRAWING

GENERAL TOLERANCES (UNLESS STATED)

| LINEAR | ANGULAR |
|---------------|---------------|
| X +/- 0.25 | X +/- 1° |
| X.X +/- 0.1 | X.X +/- 0.5° |
| X.XX +/- 0.05 | X.XX +/- 0.1° |

CUSTOMER

CARCLO

TITLE

10MM QUAD OPTIC PLAIN
SQUARE FLANGE

DRAWN

MKI

DATE

14-May-09

CHK'D

DATE

APP'D

DATE

SCALE

2:1

CARCLO PART No.

10611

SIZE

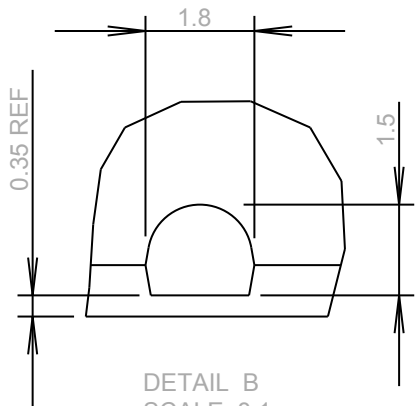
A4

CARCLO DRG. No.

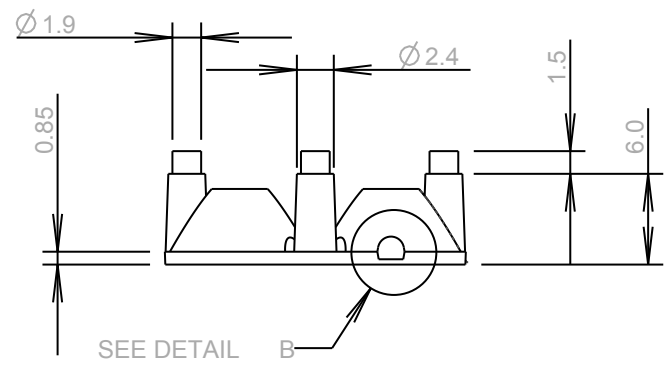
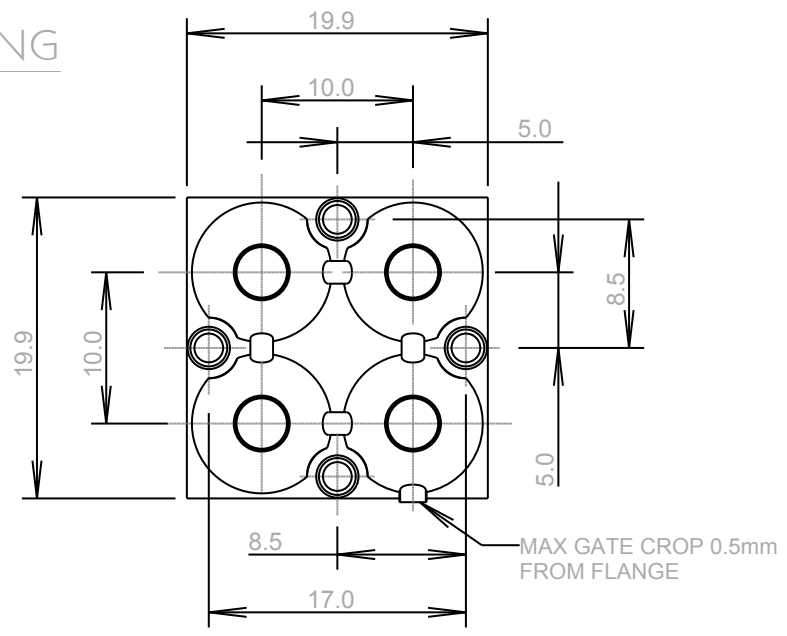
60549

SHEET

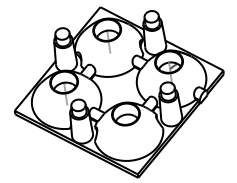
1 OF 2



DETAIL B
SCALE 8:1



SEE DETAIL B

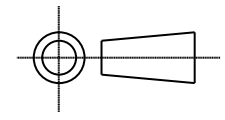


3D GENERAL VIEW
SCALE 1:1

MATERIAL - UV STABILISED CLEAR POLYCARBONATE

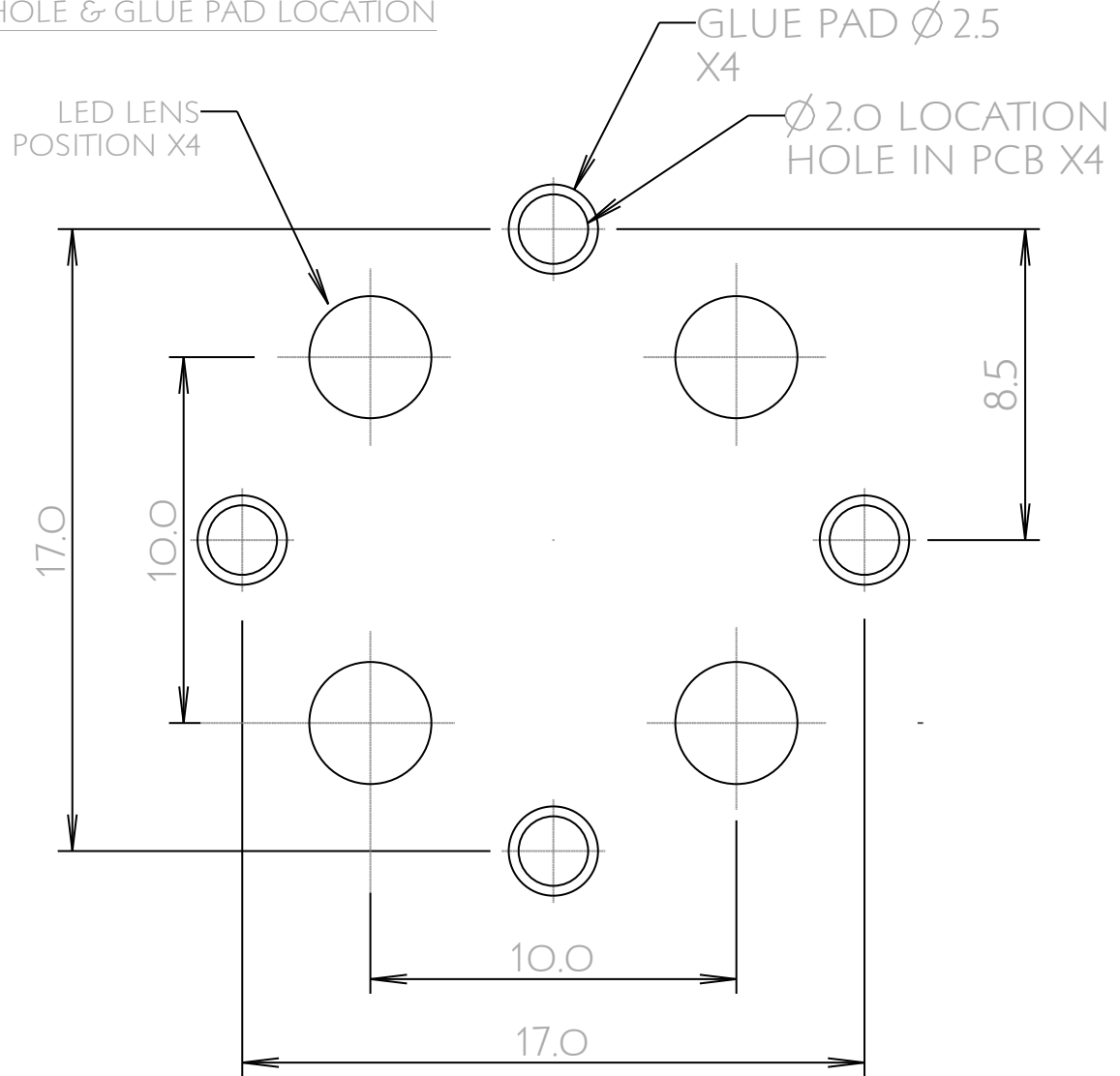
| ISS. | DATE | E.C.N. | DESCRIPTION |
|------|-----------|--------|-------------|
| 1 | 14-May-09 | | FIRST ISSUE |

© 2008 CARCLO
ALL DIMENSIONS IN mm



CARCLO TECHNICAL PLASTICS (SLOUGH)
111 BUCKINGHAM AVE, SLOUGH
SL1 4PF, ENGLAND
TEL: +44 1753 575011 FAX: +44 1753 811359
e-mail: design@carclo-optics.com

PCB HOLE & GLUE PAD LOCATION



GENERAL TOLERANCES (UNLESS STATED)

| LINEAR | ANGULAR |
|---------------|---------------|
| X +/- 0.25 | X +/- 1° |
| X.X +/- 0.1 | X.X +/- 0.5° |
| X.XX +/- 0.05 | X.XX +/- 0.1° |

CUSTOMER
CARCLO

TITLE
10MM QUAD OPTIC PLAIN SQUARE FLANGE

DRAWN MKI DATE 14-May-09

CHK'D DATE

APP'D DATE

SCALE 2:1 CARCLO PART No. 10611

SIZE A4 CARCLO DRG. No. 60549 SHEET 2 OF 2