

High Performance Expandable Embedded Box PC with 7th/ 6th Gen Intel® Xeon & Core™ i Processor



Features

- Expandable Box PC, 7th & 6th Generation Intel® Xeon™ & Core™ i Processor
- 4 COM, 2 GbE, 5 USB 3.0
- 4 PCI / PCIe Expansion Slots
- 110~230 V AC Power Input, -20~55° C Operating Temperature

Applications

- Embedded Control Systems
- Automatic Optical Inspection (AOI)
- Warehouse Management Machine
- Vision and Motion Control

→ Packing List

Description
1 x BPC-7470
1 x Driver CD
1 x Startup Manual
1 x Power Cord
1 x Mounting Bracket

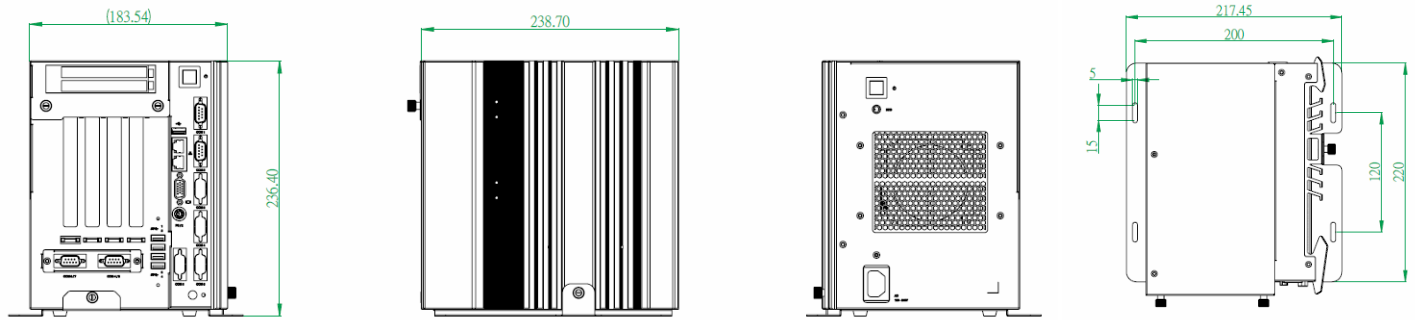
→ Optional Items

Part No.	Description
AKT-4COM 232	4 Ports RS-232 for BPC-7470
AKT-4COM 485	4 Ports RS-422/485 for BPC-7470
PEC-D122-A1	32 Channel Isolated DIO PCIe Card
E3-1225	Intel Xeon Processor E3-1225 v5 (8M, 3.7GHz)
i7-7700T	Intel Core i7-7700T (8M, 3.8GHz)
i7-6700TE	Intel Core i7-6700TE (8M, 3.4GHz)
i5-7500T	Intel Core i7-7500T (8M, 3.3GHz)
i5-6500TE	Intel Core i7-6500TE (6M, 3.3GHz)

→ Ordering Information

Part No.	Description
BPC-7470-A0A1	Intel® Core™ i LGA1151 Processor with 3-slot PCI, 1-slot PCIe x16 Expansion, 5USB3.0, 4 COM, Swappable HDD Box, 250W AC
BPC-7470-A1A1	Intel® Xeon & Core™ i LGA 1151 Processor with 1-slot PCIe x1, 2-slot PCIe x4, 1-slot PCIe x16 Expansion, 5USB3.0, 4 COM, Swappable HDD Box, 250W AC

→ Dimensions



→ Specifications

Model		BPC-7470-A0A1	BPC-7470-A1A1
Processor System	CPU	Intel® 7/6 th Gen Core™ i Processor	Intel® Xeon® & 7/6 th Gen Core™ i Processor
	System Chipset	Intel® H110	Intel® C236
	BIOS	AMI 128 Mbit SPI Flash	
Memory	Technology	Dual channel (Non-ECC) DD4 2133 MHz	Dual channel (ECC) DDR4 2133 MHz
	Max. Capacity	32 GB	
	Socket	2 DDR3 204-pin SO-DIMM	
Display	Graphics Engine	Intel HD Graphics P530	
	VGA	1 VGA, up to 1920 x 1200 pixel at 60 Hz	
	DVI-D	1 DVI-D, up to 1920 x 1200 pixel at 60 Hz (Option)	
	Display Port	1 DP, up to 4096 x 2304 pixel at 60 Hz (Option)	
I/O Interface	USB	5 USB 3.0	
	Serial Port	2 COM (RS-232), 2 COM (2 RS-422/485), Extra 4 COM ports (Optional)	
	Parallel Port	1 LPT (Option)	
	PS/2	1 (PS/2 Y cable supports 1 keyboard and 1 mouse)	
Ethernet	Controller	Dual GbE, 10/100/1000 Mbps (LAN 1: Intel® i219LM, LAN 2: Intel i210AT)	
Expansion	PCI	3 PCI expansion slots	
	PCIe	1 PCIe x16 expansion slot	1 PCIe x8, 2 PCIe x4, 1 PCIe x1 expansion slot
Storage	SATA	2 SATA 3.0 (600 MB/sec), Swappable Box	2 SATA 3.0 (600 MB/sec), Support RAID 0/1
Power	Power Type	AT/ATX	
	Power Supply Voltage	100-240 V AC, 4-2 A, 60-50 Hz, 250 W	
	Power Consumption (Typical)	0.28 A @ 110 V (26 W)	
	Power Consumption (Max)	0.41 A @ 110 V (42 W)	
	Thermal Dissipation	Fan	
Environment	Operational	-20~55° C (-4~131° F)	
	Non-Operational	-30~70° C (-22~158° F)	
	Vibration	Operating: MIL-STD-810G, Method 514.6, Category 4, common carrier US highway truck vibration exposure Storage: MIL-STD-810G, Method 514.6, Category 24, minimum integrity test	
	Shock	Operating: MIL-STD-810G, Method 516.6, Procedure I, functional shock=20g Storage: MIL-STD-810G, Method 516.6, Procedure V, crash hazard shock test=75g	
Certificate	Certification	CE, FCC Class A	
General	Dimensions (W x H x D)	183.5 x 236.4 x 238.7 mm (7.34" x 9.31" x 9.54")	
	Weight	5.22 kg (11.48 lb)	
	Operating System	Windows 7/8.1/10, WES7-E/P, WE8S, 4.04	