

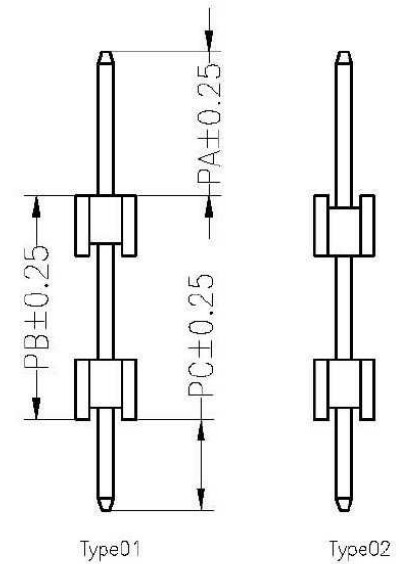
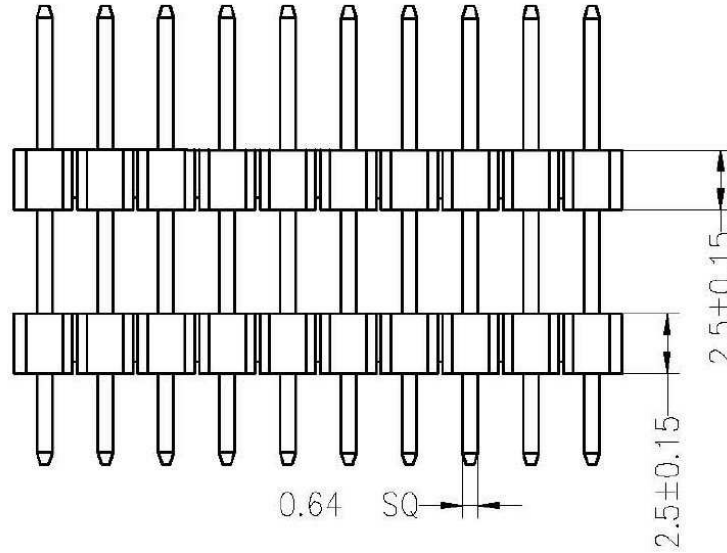
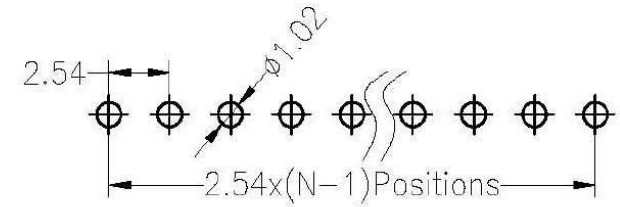
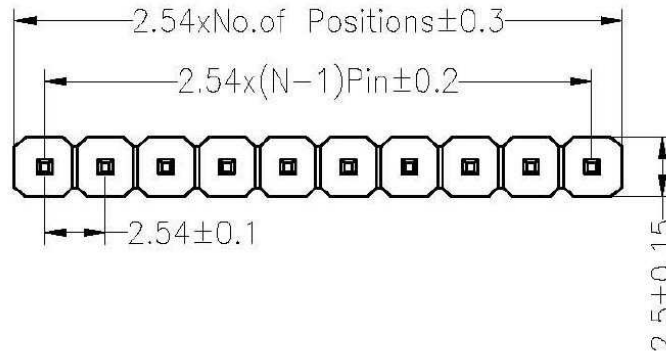


SPECIFICATIONS

Rated Current:3.0AMP
 Contact Resistance:20mΩ Max
 Withstand Voltage:1000V AC/DC
 Insulation Resistance:1000MΩ Min
 Operation Temperature:-40°C to +105°C

Contact Material:Brass
 Contact Plating:Au Over Ni
 Insulator Material:Polyester(UL94V-0)
 Standard: PA6T
 Max.Processing Temp: 230°C for 30-60 seconds
 (260°C for 5 seconds)

Recommended P.C.B Layout(Top Side)
 (PCB BOARD TOLERANCE±0.05)



Dimension antitheses list				
ITEM	PA	PB	PC	L
Standard	6.0	10.0	3.0	19.0
Alternate				

				OPERATION		DRAW	SCALE	FIT	CONNTHERM	
				X.X	±0.30					
				CHECK		APPROVE	SIZE	A4	PART NO. PLSP20S10-JL	
				X.XX	±0.20					
AD	NEW DRAWING			Angle ±J		TITLE:	◆	2.54PH H2.50mm Single 180° Npin		
REV	DATE	MODIFICATION DESCRIPTION	CHANGE	DIM	TOL					