



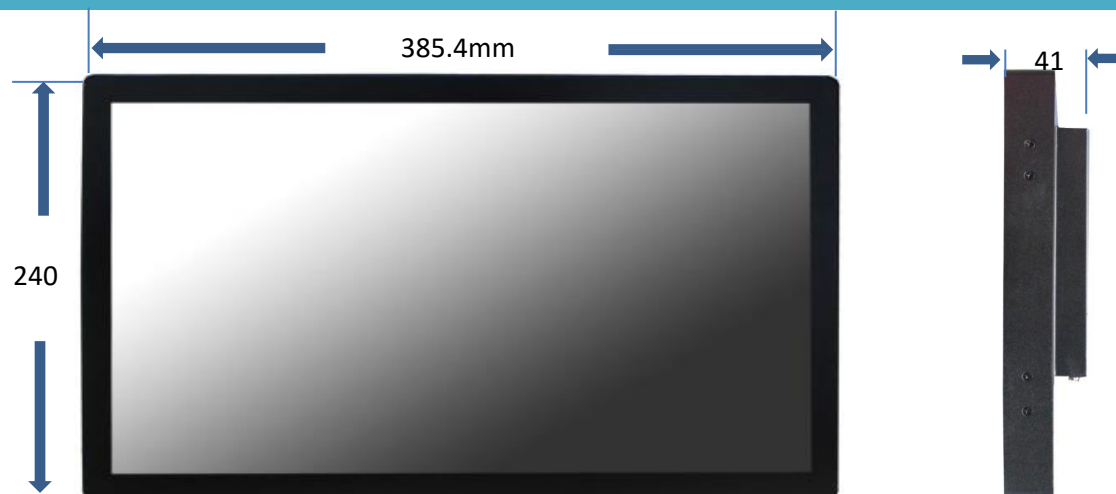
Display Characteristics

Model No.	NTP156	Resolution	1366x768 (HD)
Screen Diagonal	15.6 inch	Brightness	300 cd/m ²
Color	16.7M Colors	Contrast Ratio	500:1
Display Area	344.2x193.5 mm	Viewing Angle (L/R)	160° (CR=5)
Display Ratio	16:9	Viewing Angle (U/D)	160° (CR=5)
Backlight Unit	LED	Response Time	10 msec
Operating Temp.	-20-60°C	Surface Treatment	AG coating

General Specification

Speaker	2Wx2	Dimension	385.4x240x41 mm
Wall Mount Holes	75x75 & 100x100 mm	Net Weight	3.5 KG
Housing Material	Galvanized Steel	Gross Weight	4.5 KG
Display interface	VGA & DVI	Other connectors	Audio-in, DC-in

Dimension



Features :

- ★ Projected Capacitive touch screen(10 points)
- ★ Easily touching the edge without obstruction.
- ★ Diverse Installing Options
- ★ Made in Taiwan
- ★ Matel enclosed cabinet



Touch Specification

Type	No Touch	Model No.	NTP1560
Type	Projected Capacitive	Model No.	NTP156B
Allowed touch points	10 point	Transparency	≥88%
Operating Temp.	-30~70°C	Haze	2%
Interface	USB (typ.) / RS-232 (opt.)	Hardness	≥7H

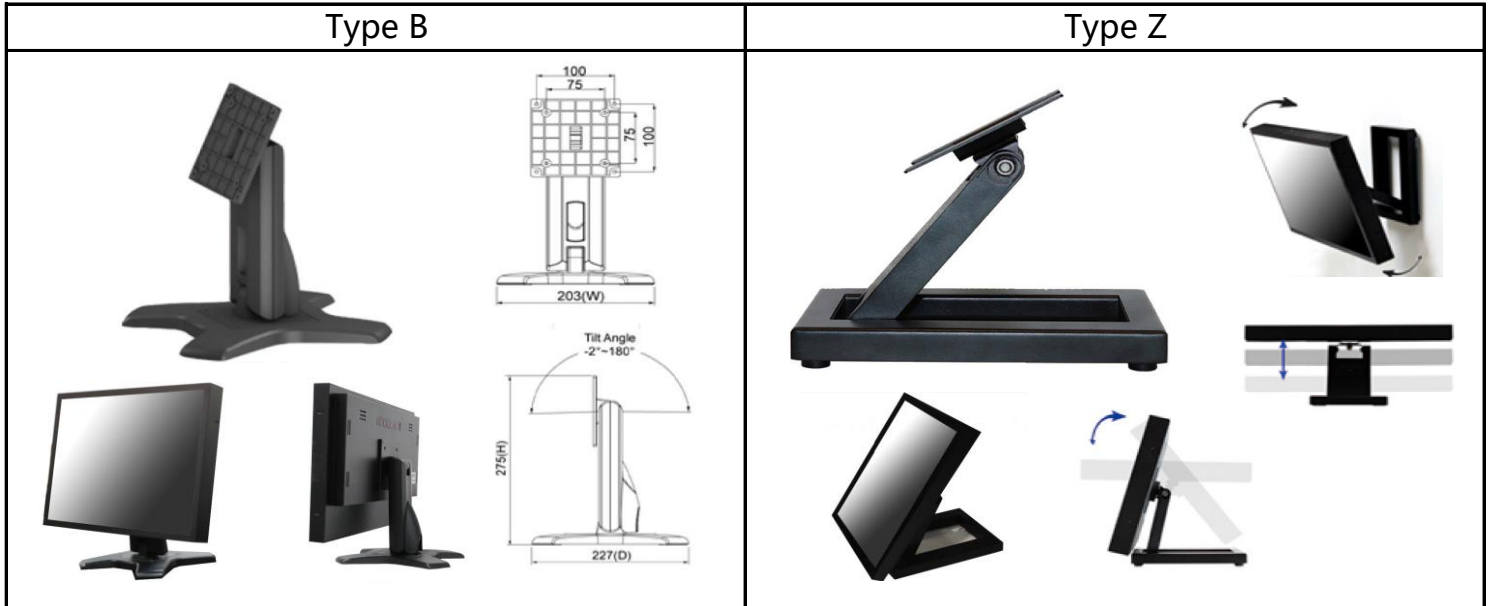
Customized Options

Brightness	1000 cd/m ²	Surface Splash Proof	Option
Surface Protection	Tempered glass	Color	Any Color (MOQ requested)
Coating Film	AG/AR/AF	Panel Mount Bezel	Customized Option
Open-frame bracket	Option		

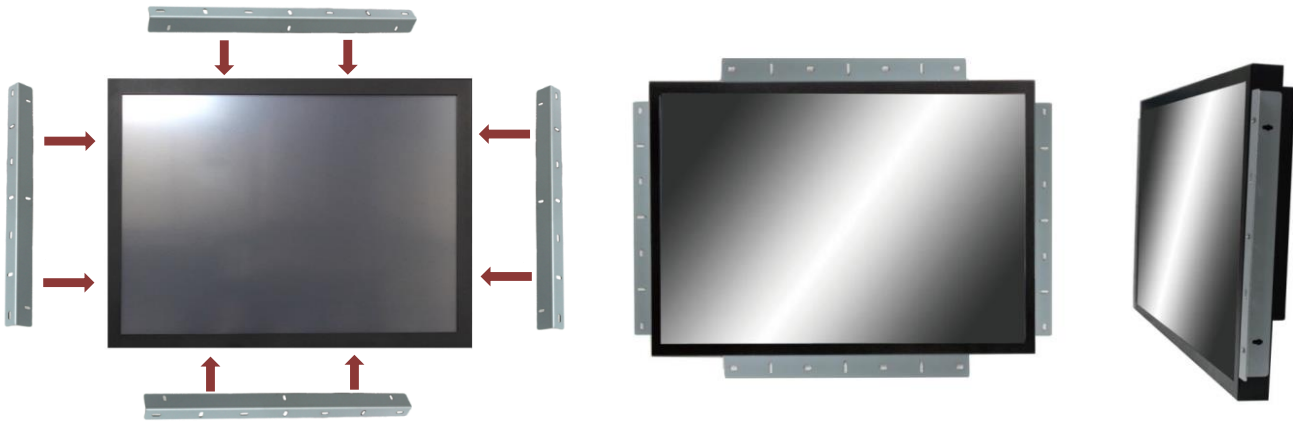
Supported OS

OS	Version
Windows	Win8, Win7 , Vista, XP, Embedded XP, Win2000, CE.NET 4.x ↑
Linux	Kernel 2.6.24 ↑
Android	3.0 ↑
Mac	10.5.x ↑ (Intel CPU)

Desktop Stand (option)



Open-frame Brackets (option)



Panel Mounted Bezel (customized option)

