



DVI



VGA (Dsub)



AC/DC adapter



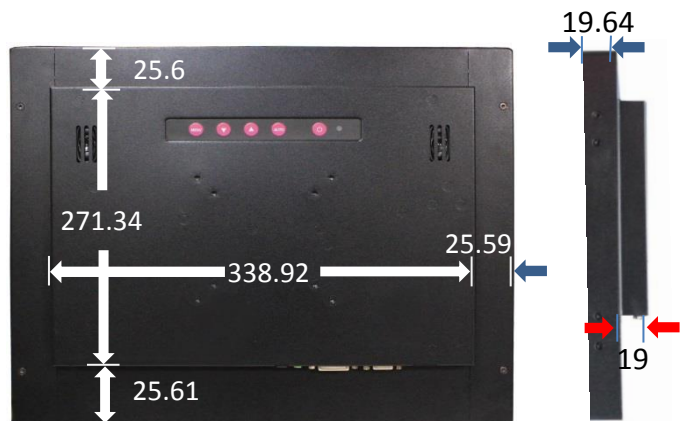
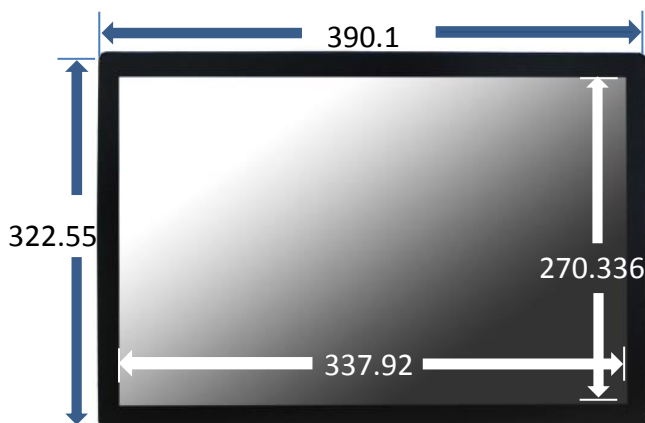
Display Characteristics

| | | | |
|-----------------|-----------------------|-------------------------|------------------------|
| Model No. | NTP170 | Viewing Angle (L/R/U/D) | 85°/85°/80°/80° |
| Screen Diagonal | 432 mm (17.0 inch) | Response Time | 5 msec |
| Display Area | 337.92x270.336 mm | Backlight Unit | LED backlight |
| Pixel Pitch | 0.264x0.264 um | Operation Temp. | 0~50°C |
| Resolution | 1280x1024 | Display Ratio | 4:3 |
| Brightness | 250 cd/m ² | Surface Treatment | Anti-Glare |
| Contrast Ratio | 1000:1 | Panel Grade | A grade (0 bright dot) |
| Color | 16.7M colors | | |

General Specification

| | | | |
|-------------------|-------------------------|------------------|--------------------|
| Speaker | 2Wx2 | Dimension | 390.1x322.55x38.64 |
| Wall Mount Holes | VESA standard | Net Weight | 3.6 kg |
| Housing Material | Galvanized Steel (SECC) | Other connectors | Audio-in |
| Display interface | VGA , DVI | | |

Dimension



Features :

- ★ Projected Capacitive touch screen(10 points)
- ★ Easily touching the edge without obstruction.
- ★ Diverse Installing Options
- ★ Made in Taiwan
- ★ Matel enclosed cabinet



| Touch Specification | | | |
|---------------------|----------|-----------|---------|
| Type | No Touch | Model No. | NTP1700 |

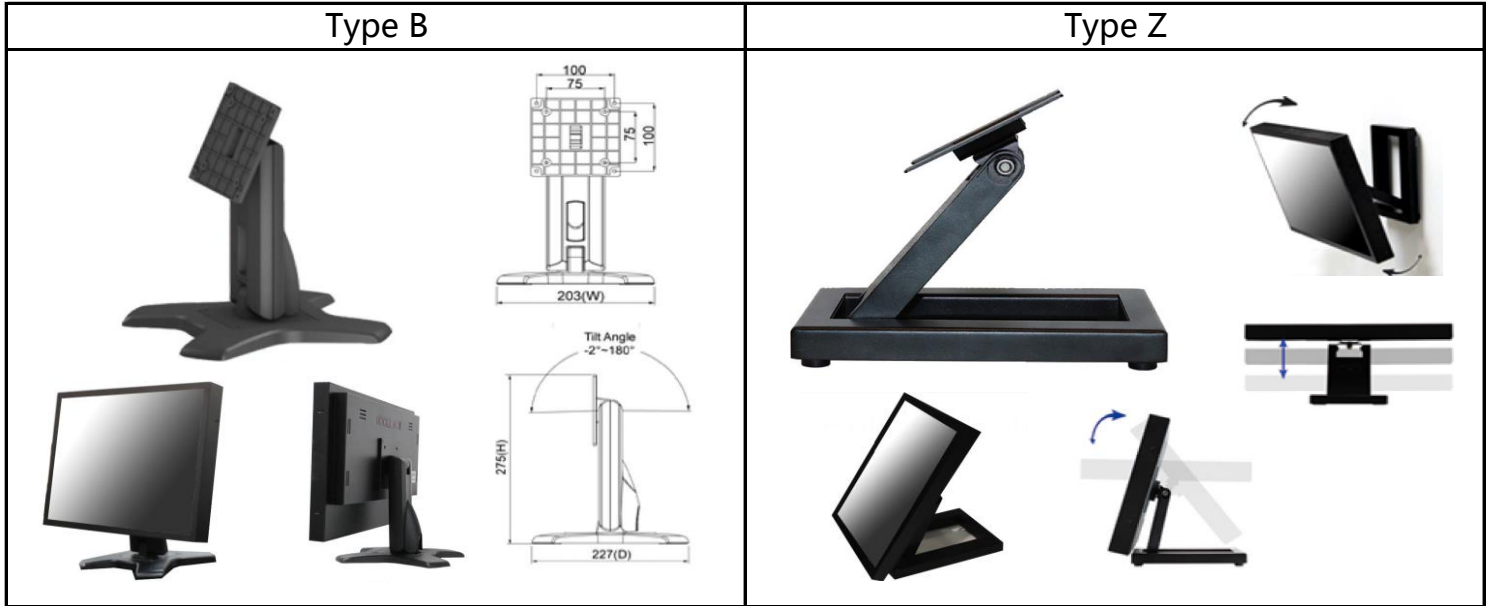
| | | | |
|--|----------------------|--------------|---------|
| Type | Projected Capacitive | Model No. | NTP170B |
| Allowed touch points | 10 points | Transparency | ≥86% |
| Interface | USB | Hardness | ≥7H |
| Operating Temp. | -30°C~70°C | Haze | ≤2% |
| Minimum Distance Between 2 points : 27mm | | | |

| Display Input options. | | | |
|------------------------|--------------|-----------|---------------|
| Option 1 (standard) | VGA+DVI | Model No. | NTP170XXXXXXG |
| Option 2 | VGA+HDMI | | NTP170XXXXXXT |
| Option 3 | VGA+DVI+HDMI | | NTP170XXXXXX7 |

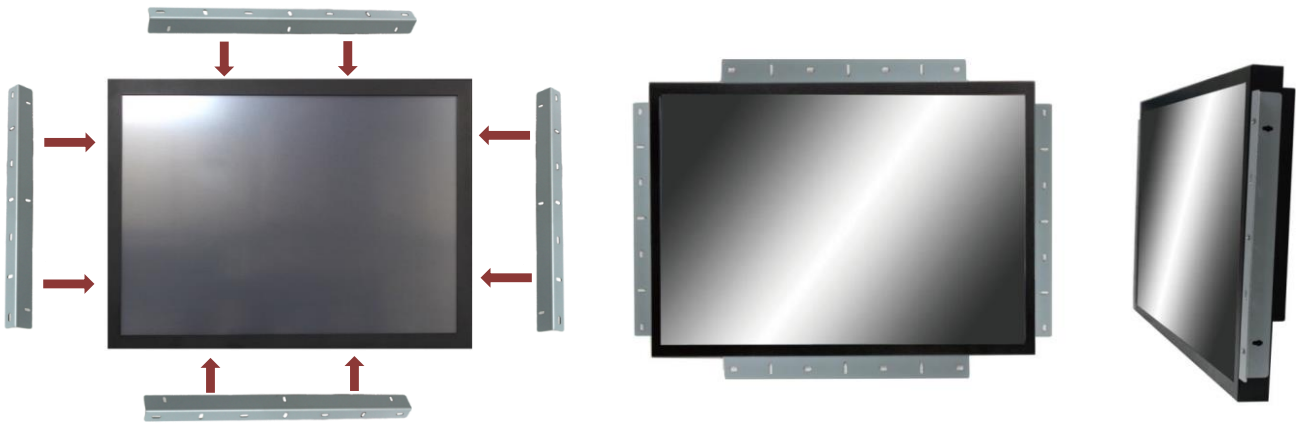
| Customized Options | | | |
|--------------------|-----------------------------|----------------------|---------------------------|
| Brightness | 1000/1500 cd/m ² | Surface Splash Proof | Option |
| Surface Protection | Tempered glass | Color | Any Color (MOQ requested) |
| Coating Film | AG/AR/AF | Panel Mount Bezel | Customized Option |
| Open-frame bracket | Option | | |

| Supported OS | |
|--------------|--|
| OS | Version |
| Windows | Win8, Win7 , Vista, XP, Embedded XP, Win2000, CE.NET 4.x ↑ |
| Linux | Kernel 2.6.24 ↑ |
| Android | 3.0 ↑ |
| Mac | 10.5.x ↑ (Intel CPU) |

Desktop Stand (option)



Open-frame Brackets (option)



Panel Mounted Bezel (customized option)

