



VGA (Dsub)

DVI

HDMI

Adapter

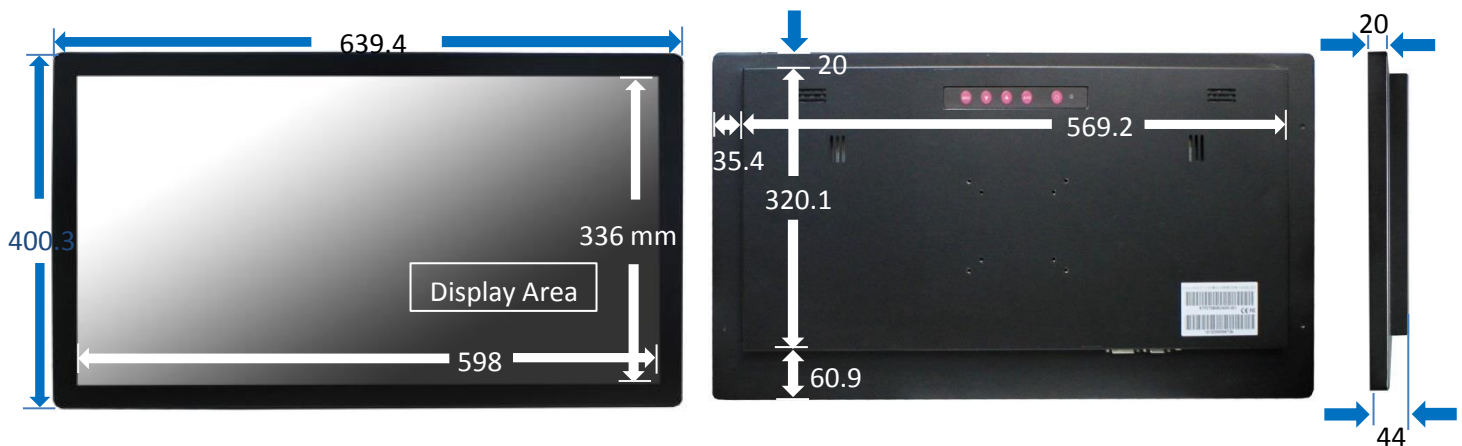
### Display Characteristics

Model No.	NTP270	Resolution	1920x1080 (Full-HD)
Screen Diagonal	27.0 inch	Brightness	300 nits
Color	16.7M Colors	Contrast Ratio	3000:1
Display Area	597.6x336.15+ mm	Viewing Angle (L/R)	178° (CR=10)
Pixel Pitch	311.25 x 311.25 um	Viewing Angle (U/D)	178° (CR=10)
Display Ratio	16:9	Response Time	12 msec
Backlight Unit	LED	Surface Treatment	AG coating
Operating Temp.	0-50°C		

### General Specification

Speaker	2Wx2	Dimension	639.4x400.3x44 mm
Wall Mount Holes	75x75 & 100x100 mm	Net Weight	7.4KG
Housing Material	Galvanized Steel	Gross Weight	8.4KG
Display interface	VGA/DVI/HDMI	Other connectors	Audio-in, DC-in

### Dimension



**Features :**

- ★ Projected Capacitive touch screen(10 points)
- ★ Easily touching the edge without obstruction.
- ★ Diverse Installing Options
- ★ Made in Taiwan
- ★ Matel enclosed cabinet



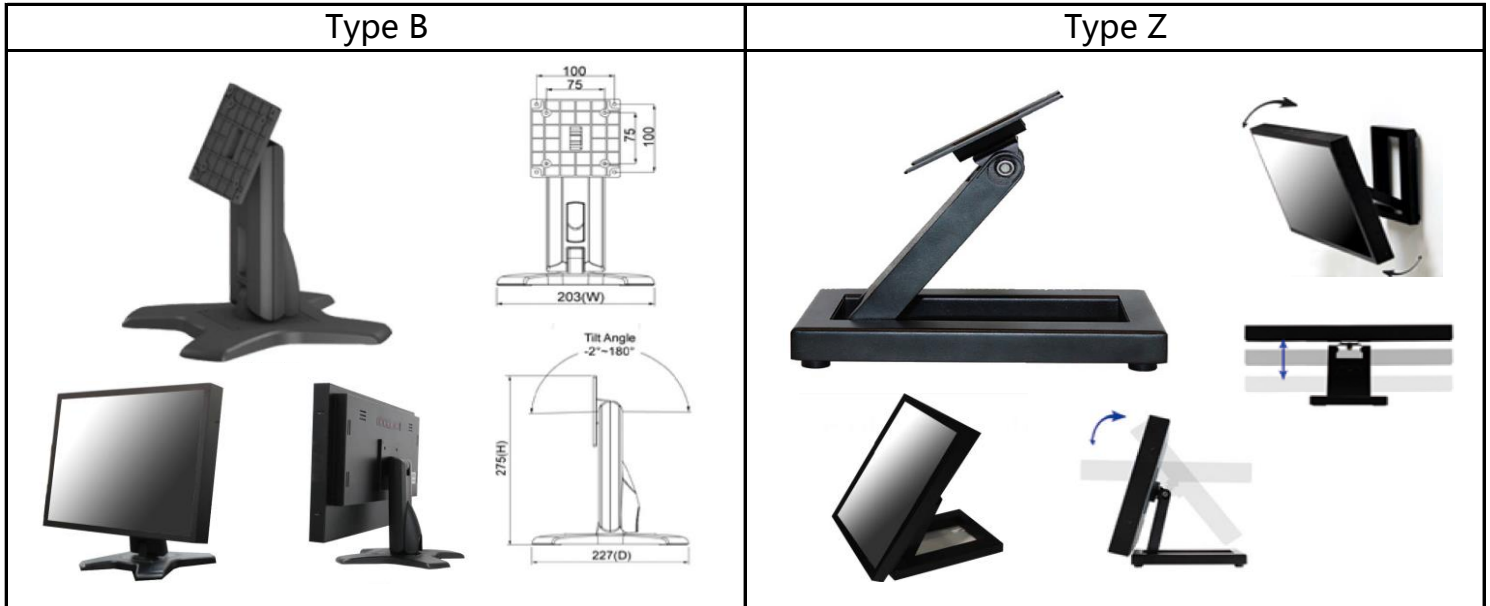
Touch Specification			
Type	No Touch	Model No.	NTP2700
Type	Projected Capacitive	Model No.	NTP270B
Allowed touch points	10 point	Transparency	≥85%
Operating Temp.	-30°C~70°C	Hardness	≥7H
Interface	USB (typ.) / RS-232 (opt.)	Thickness of glass	2.5 mm

Display Input options.			
Option 1 (standard)	VGA+DVI+HDMI	Model No.	NTP270XXXXXX7
Option 2	VGA+DVI		NTP270XXXXXXG
Option 3	VGA+HDMI		NTP270XXXXXXT

Customized Options			
Brightness	700 nits	Surface Splash Proof	Option
Surface Protection	Tempered glass	Color	Any Color (MOQ requested)
Coating Film	AG/AR/AF	Panel Mount Bezel	Customized Option
Open-frame bracket	Option		

Supported OS	
OS	Version
Windows	Win8, Win7 , Vista, XP, Embedded XP, Win2000, CE.NET 4.x ↑
Linux	Kernel 2.6.24 ↑
Android	3.0 ↑
Mac	10.5.x ↑ (Intel CPU)

Desktop Stand (option)



Open-frame Brackets (option)



Panel Mounted Bezel (customized option)

