

Full System IP66 Protected 17" Stainless Steel Industrial Monitor with P-Cap Touchscreen



Features

- Full IP66 Protected Stainless Steel
- Flat Projected Capacitive Touch Panel
- Wide range DC power input (12~24V DC)
- M12 Connectors

Applications

- Food & Beverage Industrial
- Embedded HMI Display System
- Factory / Manufacturing Automation

➔ Packing List

Description
1 x TPM-3617

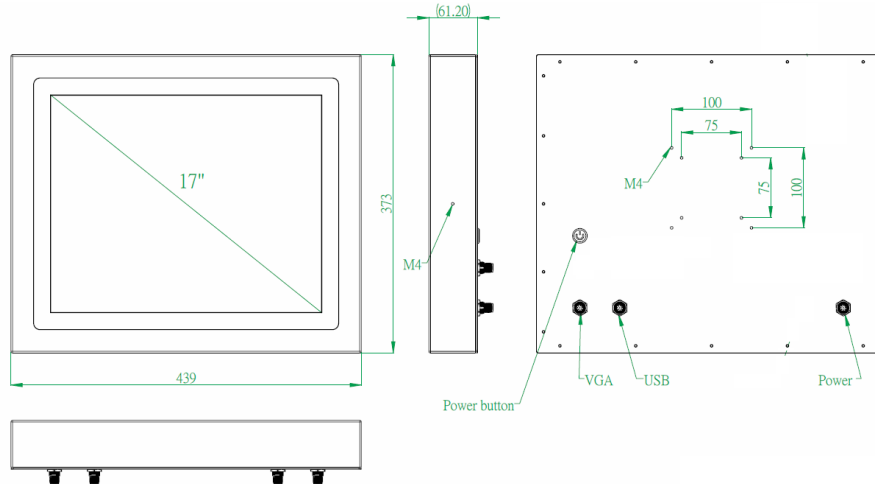
➔ Optional Items

Part No.	Description
APW-60M12V-01	12V, 60W, 5A, 5-pin M12 Connector (US)
APW-60M12V-02	12V, 60W, 5A, 5-pin M12 Connector (EU)
AKT-USB2M12	M12 Connector to USB Cable, 2m
AKT-VGA2M12	M12 Connector to DB15 Cable, 2m
ACS-100-STD	VESA Table Stand

➔ Ordering Information

Part No.	Description
TPM-3617P-A1	17" SXGA, IP66 Stainless Steel Flat Panel, Projected Capacitive Multi-touch Display

→ Dimensions



→ Specifications

Model		TPM-3617P
Display	Panel Size	17" LCD Panel
	Resolution	1280 x 1024 (SXGA)
	Viewing Angle	85 x 85 (H), 80 x 85 (V)
	Brightness	350 (cd/m2)
	Color Support	16.7 M
	Contrast Ratio	1000:1
	Response Time	30 (msec)
Touchscreen	Type	Projected Capacitive
	Surface Hardness	7 Mohs
	Durability	-
	Transparency	90% (±3%)
I/O Interface	Video Interface	1 VGA, M12 Connector
	Touch Interface	1 USB, M12 Connector
OSD Control	Function Key	5 Keys: Menu, Up, Down, Auto Adjust, Monitor Power on/off Menu Functions: Brightness, Contrast, Color Adjust, Color Temp, Auto Color, Language
Power	Power Connector	M12 connector
	Power Input	12-24 V DC power input, single power source
	Power Consumption (Typical)	6.8 W
Environment	Operating Temperature	-20~60° C (-4~140° F)
	Storage Temperature	-30~70° C (-22~158° F)
	Humidity	5~95% @ 40° C, Non-condensing
	Vibration	5-500 Hz, 0.026 G ² /Hz, 2.16 Grms, X, Y, Z, 1 hour per axis
General	Ingress Protection	Full IP66, stainless steel
	Dimensions (W x H x D)	439 x 373 x 61.2mm (17.28" x 14.69" x 2.41")
	Weight	7.77kg (17.13lb)
	Operating System	Windows 7/8.1/10, WES7, WE8S, Linux Fedora, Ubuntu