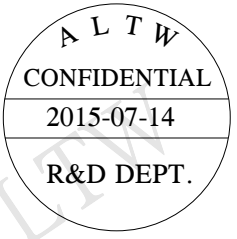
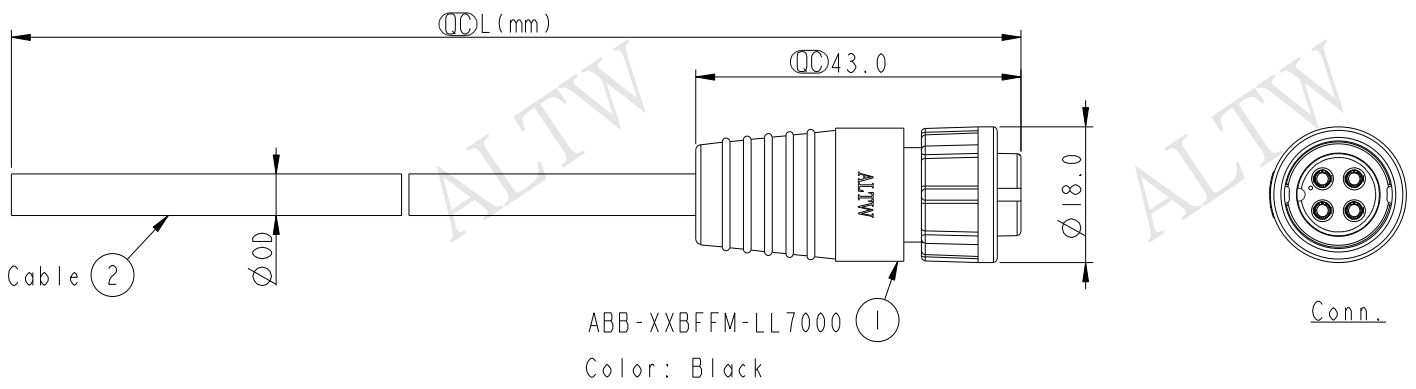


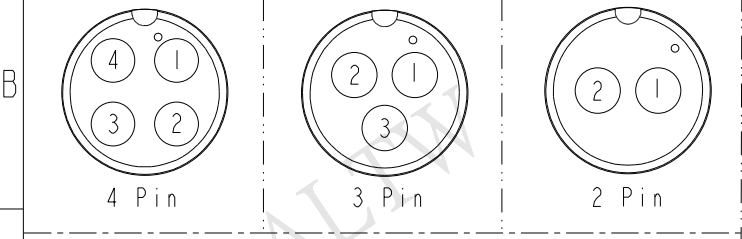
THIS DOCUMENT IS SUBJECT TO CHANGE WITHOUT NOTICE. IT IS CONFIDENTIAL AND A PROPERTY OF AMPHENOL LTW. DISCLOSURE TO THIRD PARTY HAS TO BE AUTHORIZED BY AMPHENOL LTW.

1	2	3	4	5	6	7	8
REV.	ECN NO.	DATE	SIGN	DESCRIPTION			



4P	PVC	5.5	20	ABB-04BFFM-LL7AXX
3P		5.0		ABB-03BFFM-LL7AXX
2P		5.8		ABB-02BFFM-LL7AXX
Contacts	Cable Jacket	Cable OD	AWG	Item No.

4 White 白	3 Yellow 黃	2 Red 紅
3 Black 黑	2 White 白	1 Green 綠
2 Blue 藍	1 Black 黑	
1 Brown 棕		
Pin # Wire	Pin # Wire	Pin # Wire



Pin Assignments Front View

ABB-XXBFFM-LL7AXX
 02: 2Pin
 04: 4Pin
 XX : 01~99Meters
 01 : 01Meter
 02 : 02Meters
 99 : 99Meters
 Cable Length(L): 01~99Meters

- Note:
- * \varnothing Important Dimension To Check.
 - * Waterproof Rate: IP67
 - * Housing: Nylon+GF, Black.
 - * Female Pin: Copper Alloy, Tin Plated.
 - * Cable: UL2464 20AWG+D+AL/My
 - * PVC Jacket UV Resistant, Black.
 - * Cable Length Tolerance:
 - 01M: 40mm
 - 02M~05M: ±60mm
 - 06M~10M: ±100mm
 - 11M~30M: ±200mm
 - 31M~99M: ±500mm

UNIT:mm		TITLE STANDARD CABLE LOCK F CONN F PIN		
TOLERANCE ±0.5	SCALE 1:1	SIZE A4	SHEET 1 OF 1	
	REV. A	WC-REV. A.2	\varnothing : Inspection item	

Amphenol LTW
 安費諾亮泰企業股份有限公司

ITEM NO	DRAWN BY Jinhai	DATE 2015-07-14
DWG NO ABB-XXBFFM-LL7AXX	CHECKED BY Rensong	DATE 2015-07-14
CUSTOMER ALTW	APPROVED BY Jerry	DATE 2015-07-14