

---

**PRELIMINARY SPECIFICATIONS SHEET**

LOUD SPEAKER  
P/N: LSI45-P17055

**DESCRIPTION: D45mm, H9.2mm Loud Speaker, 0.25W, 600Hz, 8ohm**  
**RoHS Compliance (Directive 2002/95/EC)**

**VERSION: 01**

**DATE: 17-July-2017**

**REVISIONS**

<b>VERSION</b>	<b>DESCRIPTION</b>	<b>DATE</b>
01	Released from engineering	17-July-2017

**APPROVED BY :**

---

**CUSTOMER NAME :**

**DATE :**

## PRELIMINARY SPECIFICATIONS SHEET

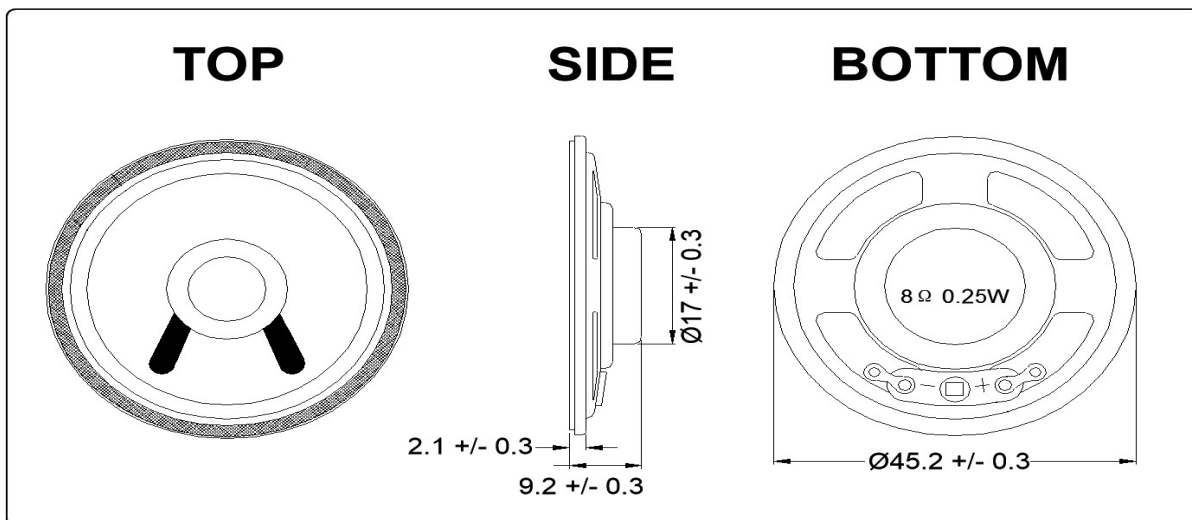
LOUD SPEAKER  
P/N: LSI45-P17055

### 1. SPECIFICATIONS

PARAMETERS	VALUES	UNITS
*SOUND PRESSURE LEVEL	83 ± 3	dBA
RESONANCE FREQUENCY	600 ± 20%	Hz
FREQUENCY RANGE	Fo – 8,000	Hz
RATED IMPEDANCE	8 ± 15%	Ohm
RATED POWER	0.25	W
MAX POWER	0.50	W
OPERATING TEMPERATURE	-20 to +60	°C
STORAGE TEMPERATURE	-30 to +60	°C
MAGNET	NdFeB ( 12.5x1.5mm )	-
HOUSING	Metal	-

\*Tested at 1W 1m average 0.8K 1.0K 1.2K 1.5KHz

### 2. DIMENSIONS (unit in mm)

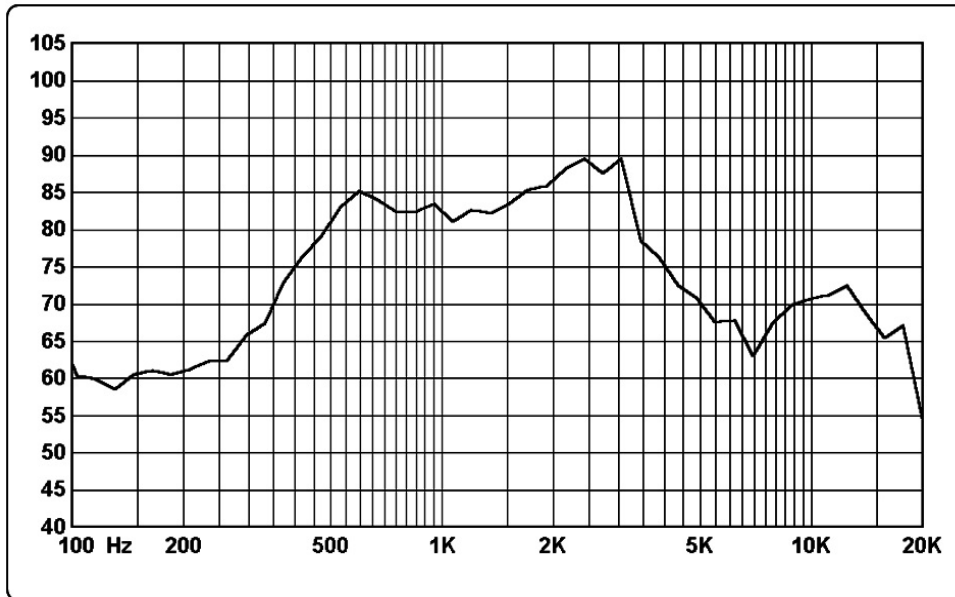


VERSION: 01  
DATE: 17-July-17

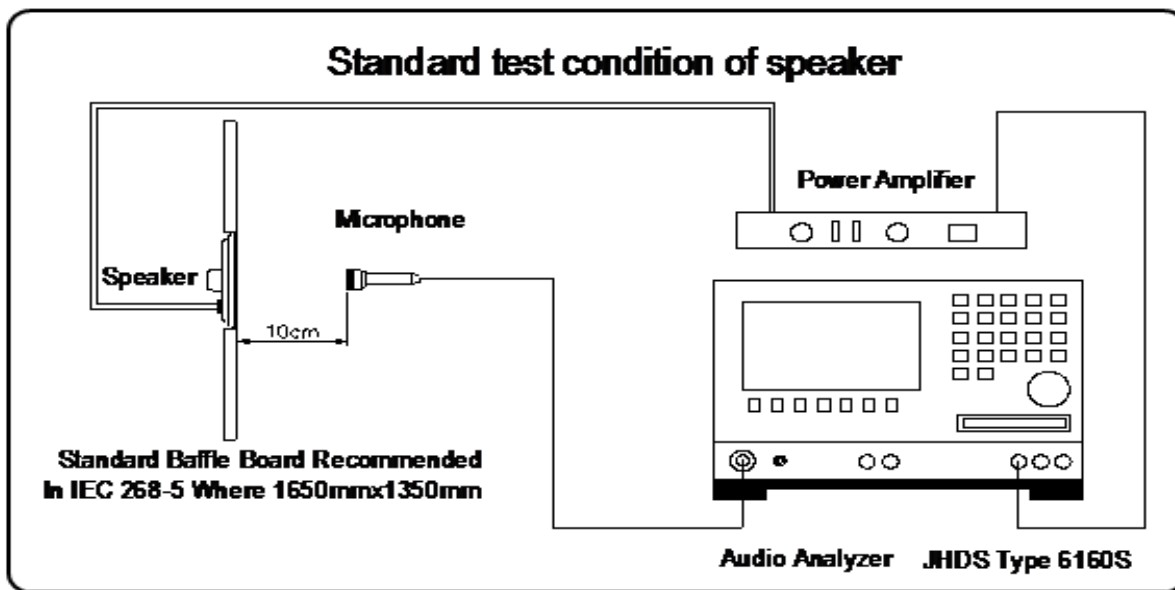
Tolerance: ±0.2mm except specified

All specifications subject to change without notice

### 3. FREQUENCY RESPONSE CURVE



### 4. MEASURING CONDITION



VERSION: 01  
DATE: 17-July-17

## 5. RELIABILITY TEST

### Testing Criteria

After these test , the change of S.P.L shall be within  $\pm 3$  dB

#### 1) Load Test

Rated Power White noise is applied for 96 hours

#### 2) Temperature Test

a) Keep 96 hours at  $+60^{\circ}\text{C} \pm 3^{\circ}\text{C}$  and leave 6 hours in normal temperature and then check

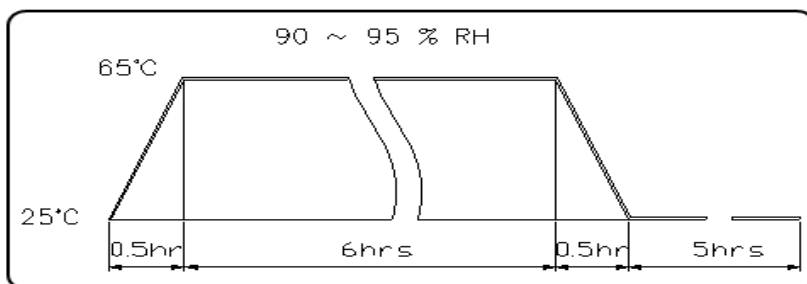
b) Keep 96 hours at  $-20^{\circ}\text{C} \pm 3^{\circ}\text{C}$  and leave 6 hours in normal temperature and then check

#### 3) Humidity Test

Keep 96 hours at  $+40^{\circ}\text{C} \pm 3^{\circ}\text{C}$  relative humidity 92-95% and leave 3 hours in normal temperature and then checked.

#### 4) Thermal Shock Test

The part shall be subjected 5 cycles. One cycle shall be 6 hours and consist of;



#### 5) Drop Test

Drop the speakers contained in normal box onto the board 40mm thick 10 times from the height of 75cm.

#### 6) Vibration Test

10~55~10Hz sin-wave sweep 15min. 5G(constant) X,Y, Z 3 direction. 2 hours each, total 6 hours.

#### 7) Terminal Strength Test

The pull force shall be applied to double lead wire :

Horizontal 3.0N(0.306kg) for 30 seconds. Vertical 2.0N(0.204kg) for 30 seconds.

VERSION: 01

DATE: 17-July-17