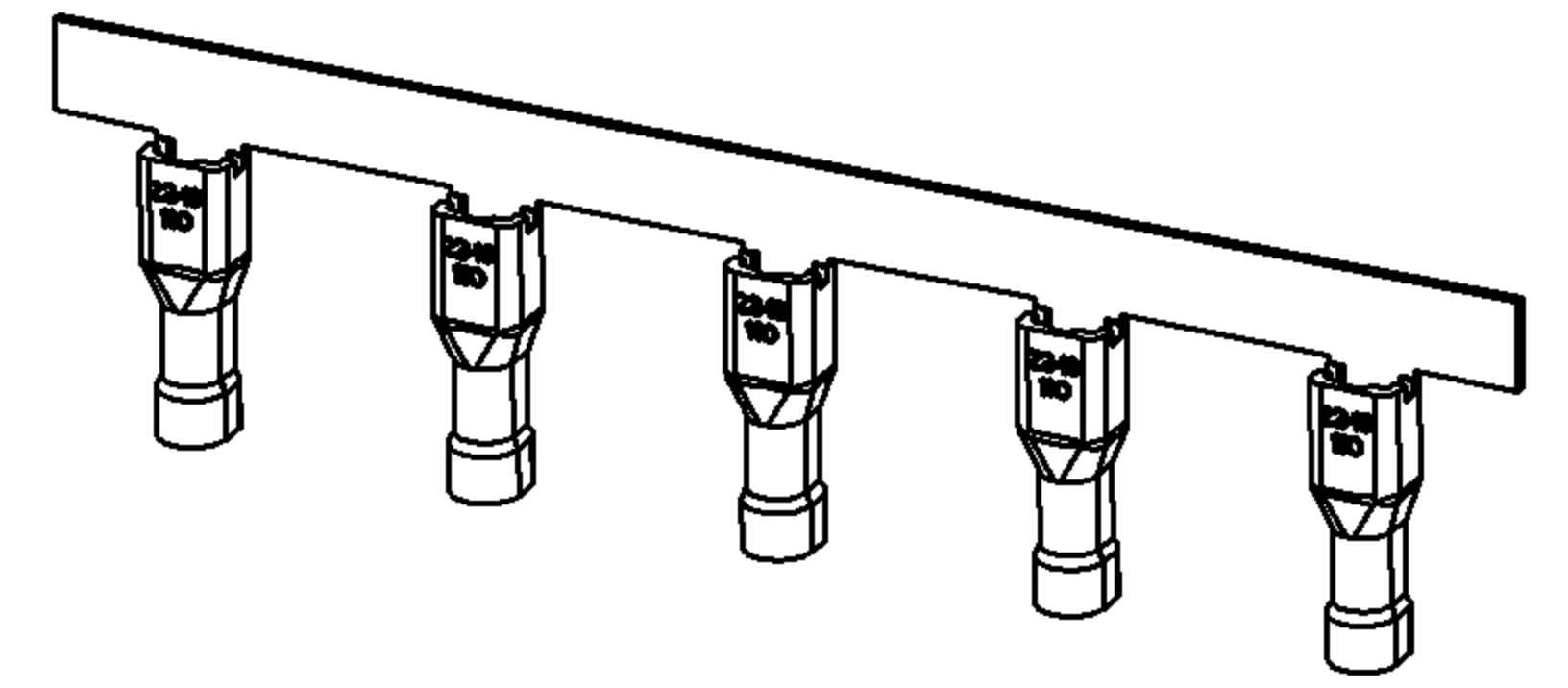
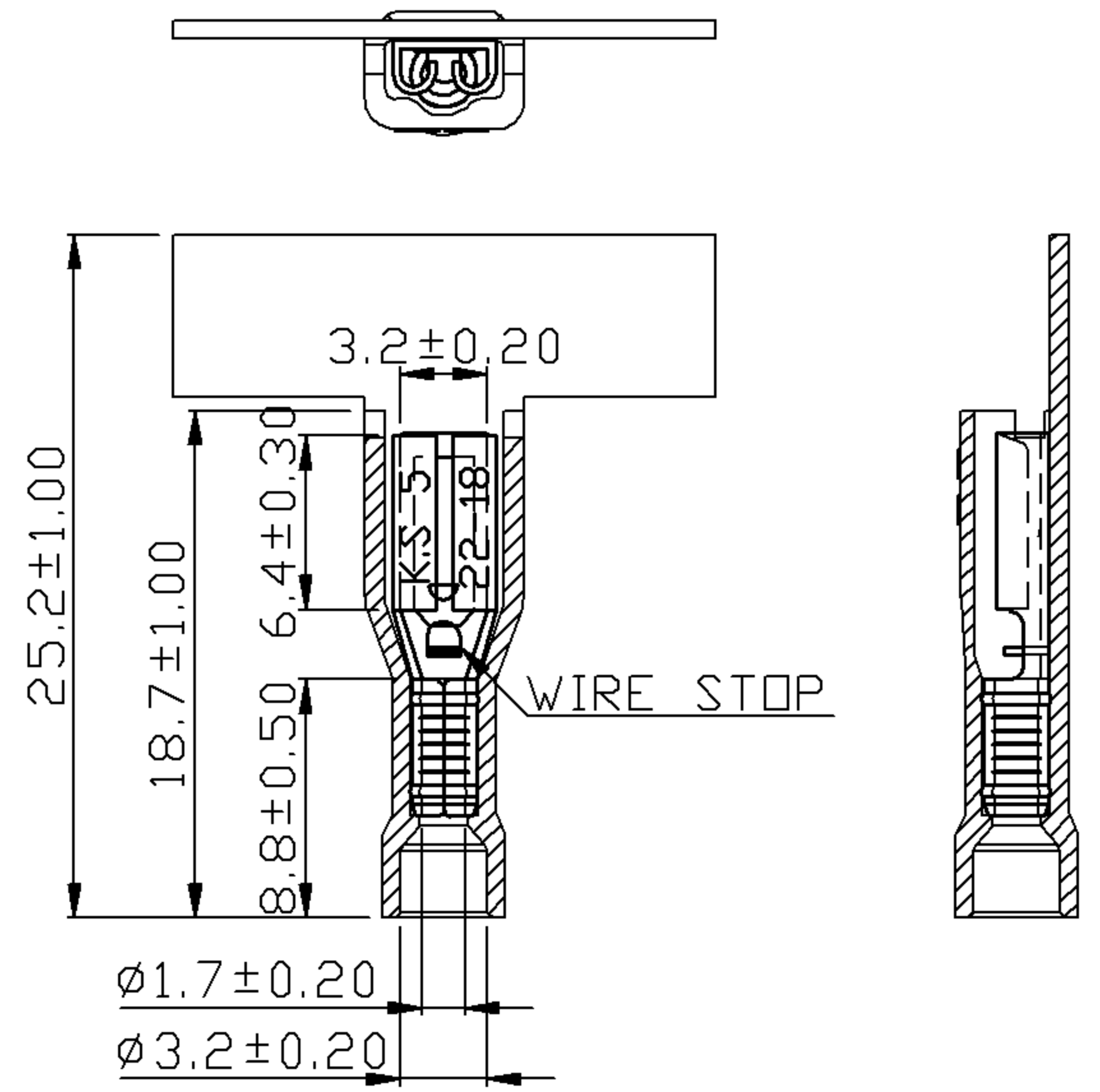
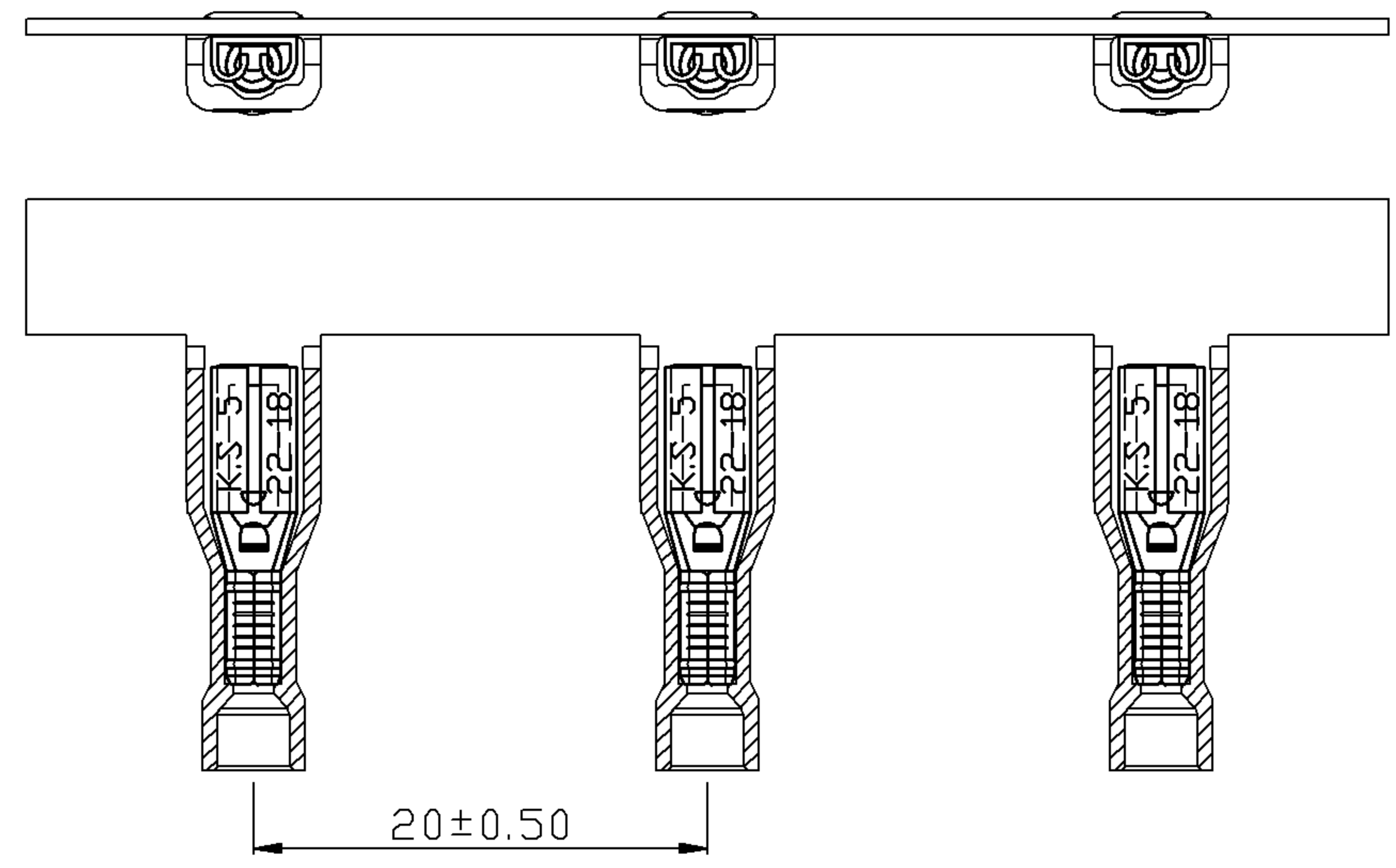


REV	DESCRIPTION	DATE
-----	-------------	------



- NOTE :
1. MAXIMUM ELECTRIC CURRENT :

A.W.G.	22	20	18
AMP.	3	4	7
 2. MAXIMUM ELECTRICAL RATING : 105°C 600 VOLTS MAX.
 3. INSULATION MATERIAL : NYLON
 4. INSULATION COLOR : RED
 5. TERMINAL MATERIAL : BRASS
 6. WIRE RANGE : 22-18 A.W.G. (0.5-0.75 mm²)
 7. NEMA TAB : 0.020 inch * 0.110 inch (0.5 mm * 2.8 mm)
 8. TERMINAL SURFACE TREATMENT : TIN PLATED
 9. TERMINAL THICKNESS : 0.30 mm



Tolerance Unless Otherwise Specified	
0 > 6 mm ± 0.20	ANGLE
6 > 18 mm ± 0.30	0° > ° REF ±
18 > 30 mm ± 0.40	° > ° ±
30 > 75 mm ± 0.50	° > ° ±

NAME	PLASTIC STRIP ON REEL TYPE (NYLON-INSULATED PS SERIES)	UNIT	mm	
PART NO.	FDNY1-110(5)A-PS	MATERIAL	-----	APPROVE
NUMBER	KA-980062-C	SCALE	SHEET PAGE	CHECKED
DATE	2009/08/05	2/1	1-0 10F1	DRAWN 張馨尹

KST. K.S. TERMINALS INC.