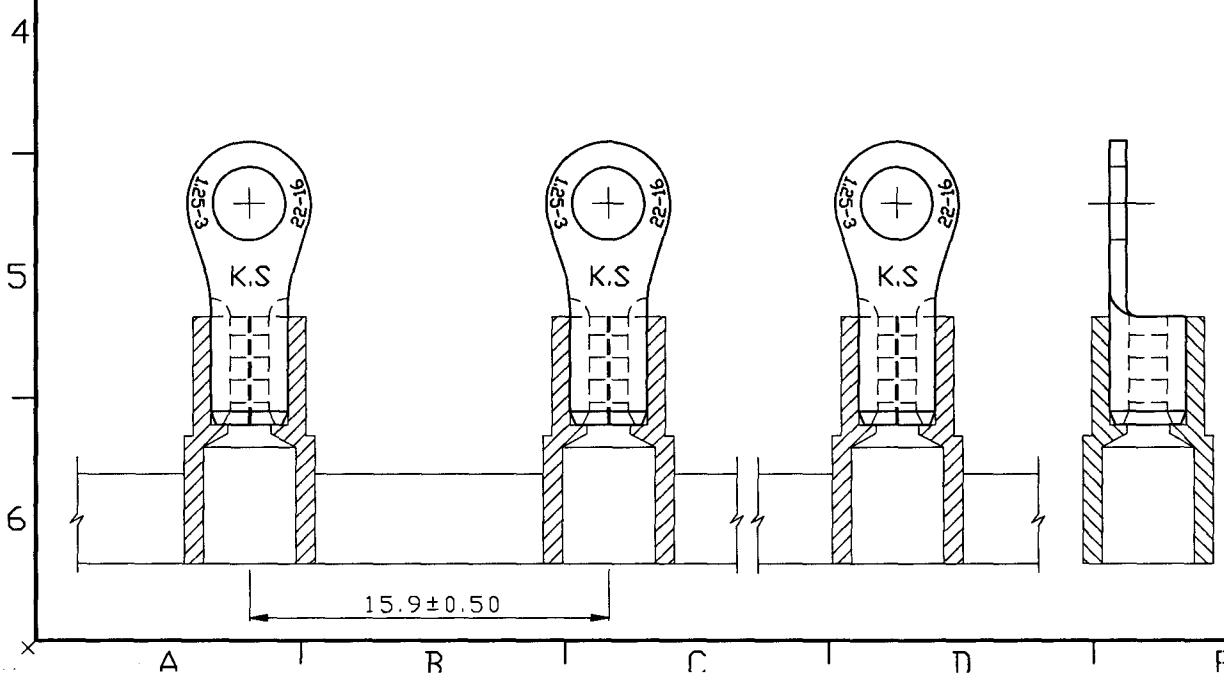


REV	DESCRIPTION	DATE
-----	-------------	------

NOTE :

1. MAXIMUM ELECTRIC CURRENT :

A.W.G.	22	20	18	16
AMP.	9	17	17	18
2. MAXIMUM ELECTRICAL RATING : 105°C 600 VOLTS MAX.
3. INSULATION MATERIAL : NYLON
4. INSULATION COLOR : RED
5. TERMINAL MATERIAL : COPPER
6. WIRE RANGE : 22-16 A.W.G. (0.5-1.5 mm²)
7. TERMINAL SURFACE TREATMENT : TIN PLATED
8. TERMINAL THICKNESS : 0.75 mm



Tolerance Unless Otherwise Specified	
0 > 6 mm ±0.20	ANGLE
6 > 18 mm ±0.30	0° > ° REF ±
18 > 30 mm ±0.40	° > ° ±
30 > 75 mm ±0.50	° > ° ±

NAME	PLASTIC STRIP ON REEL TYPE (NYLON-INSULATED PS SERIES)			UNIT	
PART NO.	RNYB1-3.2-PS	MATERIAL	-----	APPROVED	
NUMBER	KA-96257-C	SCALE	SHEET PAGE	CHECKED	
DATE	2007/02/05	3/1	1-0	10F1	DRAWN 張馨尹

KST. K.S. TERMINALS INC.