

REV	DESCRIPTION	DATE
-----	-------------	------

△ RDCM-101050

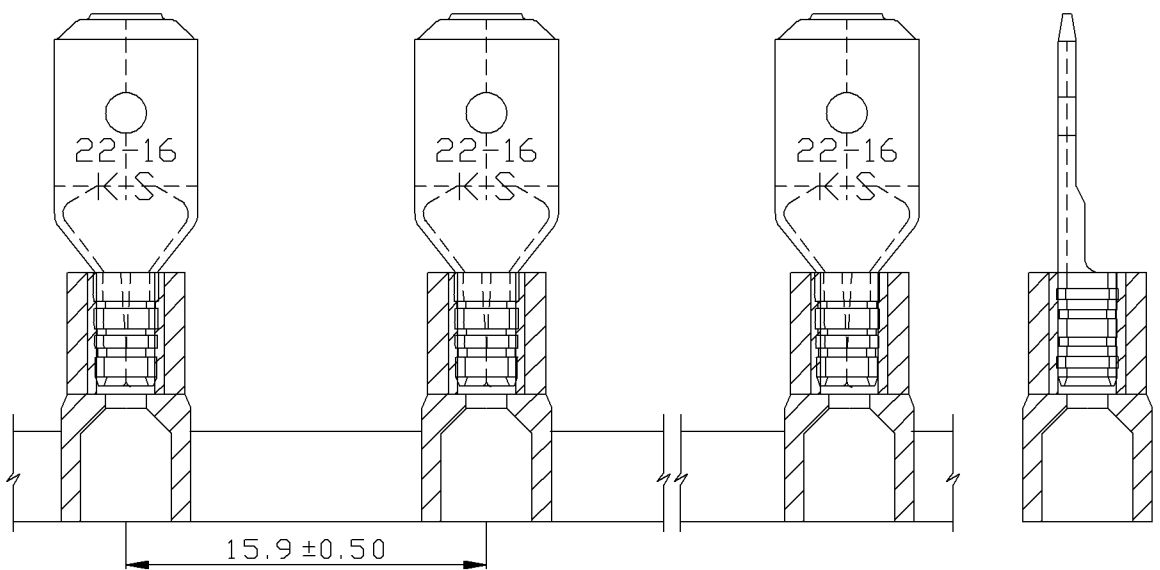
謝婉如 2012/04/12

NOTE :

1. MAXIMUM ELECTRIC CURRENT :

A.W.G.	22	20	18	16
AMP.	3	4	7	10
2. MAXIMUM ELECTRICAL RATING : 105°C 600 VOLTS MAX.
3. INSULATION MATERIAL : NYLON
4. INSULATION COLOR : RED
5. TERMINAL MATERIAL : BRASS
6. WIRE RANGE : 22-16 A.W.G. (0.5-1.5 mm²)
7. NEMA TAB : 0.032 inch * 0.250 inch (0.8 mm * 6.35 mm)
8. DOUBLE CRIMP : WITH SHORT COPPER SLEEVE ON BARREL
9. TERMINAL SURFACE TREATMENT : TIN PLATED
10. TERMINAL THICKNESS : 0.40 mm

S:2/1



Tolerance Unless Otherwise Specified	
0 > 6 mm ± 0.20	ANGLE
6 > 18 mm ± 0.30	0° > ° REF ±
18 > 30 mm ± 0.40	° > ° ±
30 > 75 mm ± 0.50	° > ° ±

NAME	PLASTIC STRIP ON REEL TYPE (NYLON-INSULATED PS SERIES)			UNIT	mm	
PART NO.	MDNYDX1-250-PS	MATERIAL	-----	APPROVE		
NUMBER	KA-96245-C	SCALE	SHEET PAGE	CHECKED		
DATE	2007/02/12	3/1	1-1	10F1	DRAWN	張馨尹

KST K.S. TERMINALS INC.