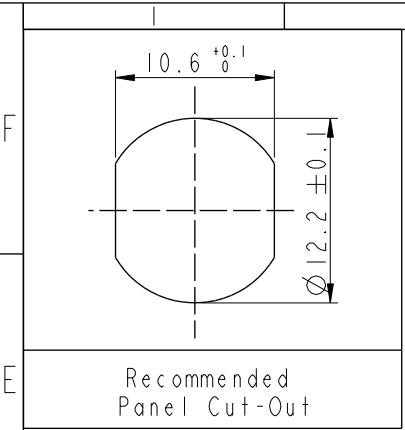
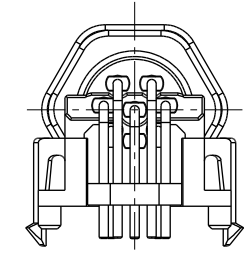
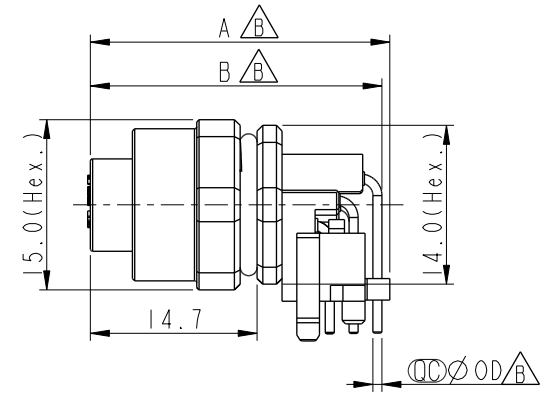
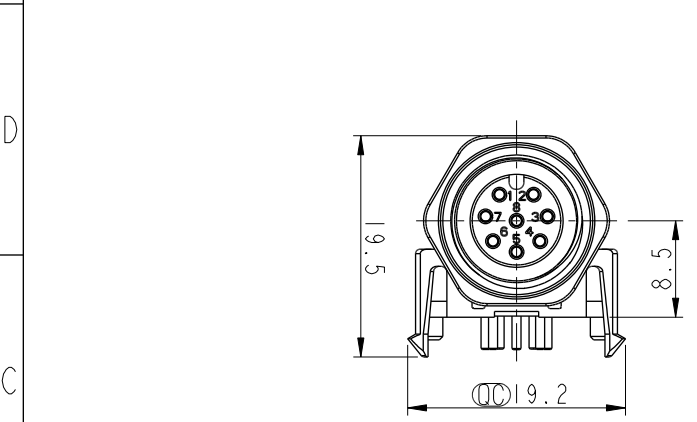
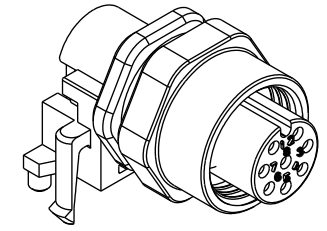
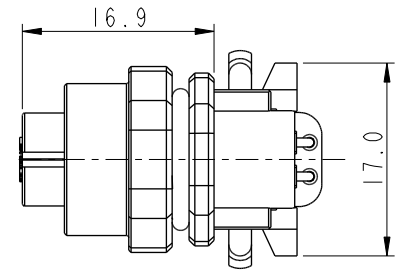


THIS DOCUMENT IS SUBJECT TO CHANGE WITHOUT NOTICE. IT IS CONFIDENTIAL AND A PROPERTY OF Amphenol LTW. DISCLOSURE TO THIRD PARTY HAS TO BE AUTHORIZED BY Amphenol LTW.

REV.	ECN NO.	DATE	SIGN	DESCRIPTION
B	C190510	2019-03-21	Su Nan	Add The Size Table
C	C200275	2020-03-12	Nan_Su	$\triangle C$ X1
D	C210309	2021-02-23	Ruru	$\triangle D$ X4

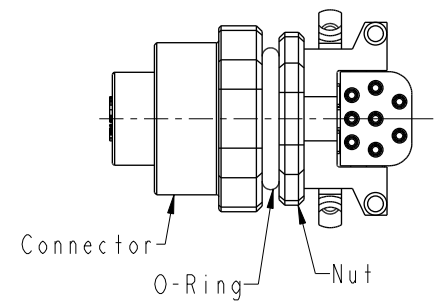


$\triangle D$
M12A-XXPFFR-SF7003
XX: No. Of Pin

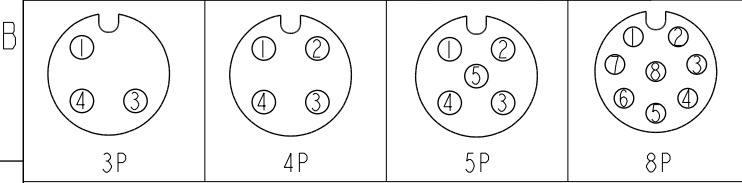


M12A-03PFFR-SF7003	26.6	25.5	1.0
M12A-04PFFR-SF7003	26.6	25.5	1.0
M12A-05PFFR-SF7003	26.6	25.5	1.0
M12A-08PFFR-SF7003	26.4	25.7	0.8
Item No.	A	B	OD

$\triangle B$



$\triangle D$
Note:
 * RoHS Compliant
 * ⌀ Important dimension
 * Waterproof rate: IPX7, mated
 * Connector
 Housing: Thermoplastic, Black
 Pin: Copper alloy, Gold plated
 O-Ring1: Rubber, Black
 O-Ring2: Rubber, Gray
 Nut: Metal
 * Nut: Metal
 * O-Ring: Rubber, Gray
 * For panel thickness max: 3.0mm
 $\triangle C$ * For pcb thickness max: 1.6mm
 * O-Ring and nut are assembled on connectors



Pin Assignment Front View

UNIT: mm		TITLE	
TOLERANCE	± 0.25 ± 0.1 ± 0.05 $\pm 1^\circ$	N SEN, M12 A, SCREW RECEPTACLE, F, F, PCB R $\triangle D$	
SCALE	3:2	SIZE	A4
REV.	D	SHEET	1 OF 2
WC-REV.	.0	⌀ : Inspection item	

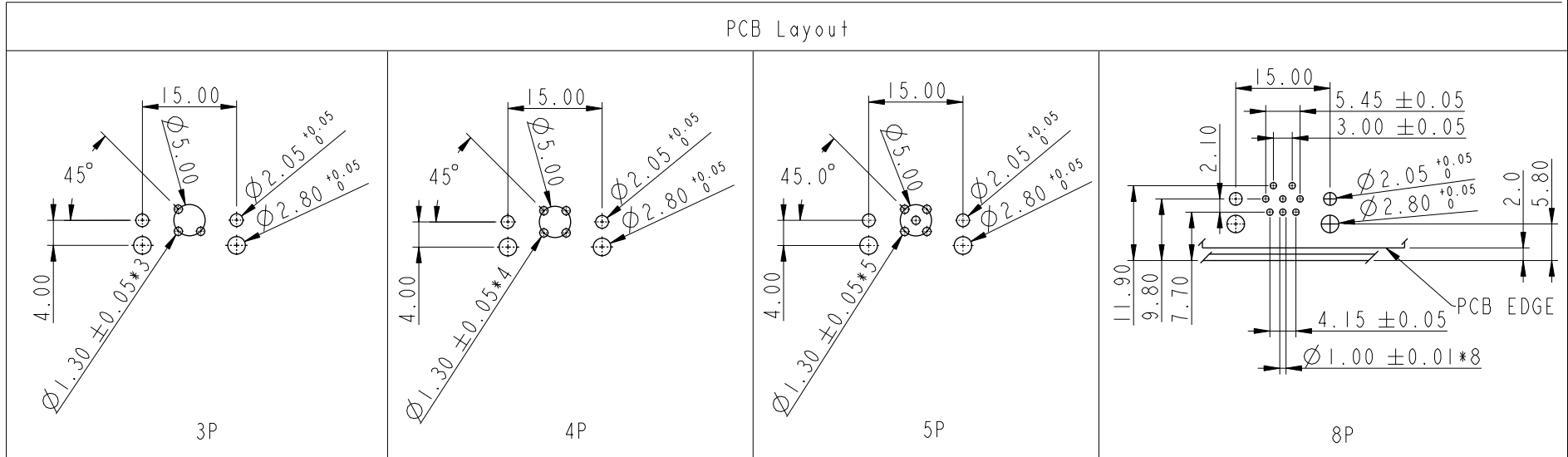
Amphenol LTW
安費諾亮泰企業股份有限公司

ITEM NO.	DRAWN BY	DATE
	Su Nan	2019-03-21
DWG NO.	CHECKED BY	DATE
M12A-XXPFFR-SF7003	Feng	2019-03-21
CUSTOMER	APPROVED BY	DATE
ALTW	Jerry	2019-03-21

1 2 3 4 5 6 7 8

F
E
D
C
B
A

PCB Layout



UNIT: mm		TITLE N SEN, M12 A, SCREW RECEPTACLE, F, F, PCB R	
TOLERANCE		SCALE	SIZE
.X	±0.25	3:2	A4
.XX	±0.1	REV.	WC-REV.
.XXX	±0.05	D	.0
ANGLES	±1°	SHEET 2 OF 2	
		④: Inspection item	

Amphenol LTW
安費諾亮泰企業股份有限公司

ITEM NO	DRAWN BY	DATE
	Su Nan	2019-03-21
DWG NO	CHECKED BY	DATE
M12A-XXPFFR-SF7003	Feng	2019-03-21
CUSTOMER	APPROVED BY	DATE
ALTW	Jerry	2019-03-21