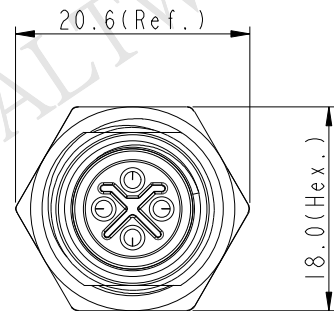
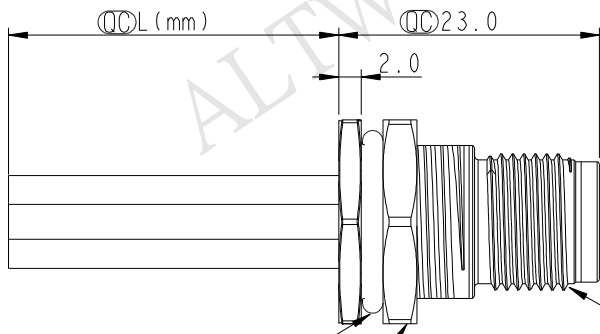
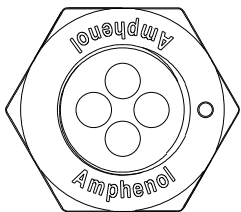


REV.	ECN NO.	DATE	SIGN	DESCRIPTION
A	Initial Release	2015/09/07	Cary	Change Rev. 01 to Rev.A
B	LE317A0005	2017-10-09	Feng_Li	Update The Note

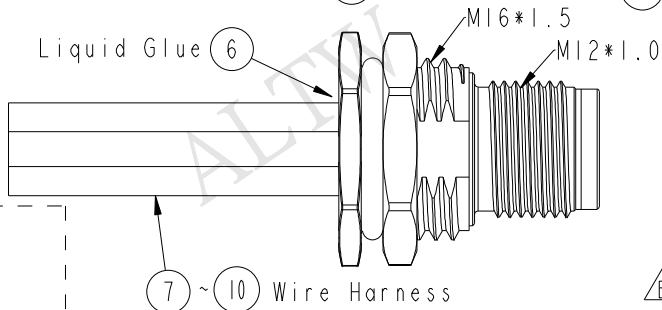
**ALTW**  
**CONFIDENTIAL**  
**2017-10-09**  
**R&D DEPT.**



M12S-04PMMS-SF8CXX

XX: 150~1500mm  
 15: 150mm  
 30: 300mm  
 50: 500mm  
 A0: 1000mm  
 A5: 1500mm  
 Wire Length(L): 150~1500mm

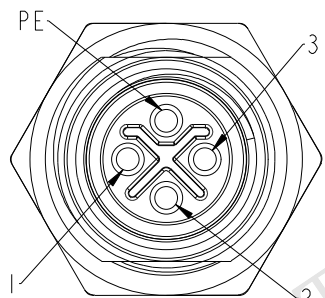
- ① Connector
- ② Male Pin
- ③ Shield
- ④ O-Ring
- ⑤ Screw Nut



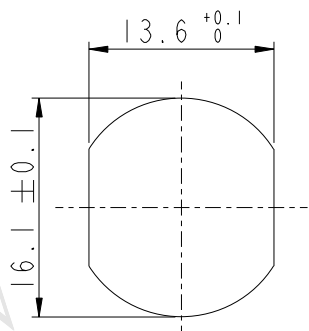
**ALTW**  
**DCC. DEPT.**  
**CONFIDENTIAL**  
**2017.10.30**  
**ISSUED**

Note:

- \*  $\varnothing$  Important Dimension.
- \* Waterproof Rate: IP68.
- \* IP68: IM Depth Of Water In 24hours.
- \* Housing: Nylon+GF, UL94V-0, Black.
- \* Male Pin: Copper Alloy, Gold Plated.
- \* Shield: Zinc Alloy, Nickel Plated.
- \* Panel Nut: Zinc Alloy, Nickel Plated.
- \* O-Ring: Viton, Black.
- \* Wire Harness: UL1015 16AWG (1.5mm<sup>2</sup>).
- \* Rated Voltage: 630V AC
- \* Rated Current at 40°C: 12A
- \* Operation Temperature: -40~85°C.
- \* For Panel Thickness Max 4.5mm.
- \* Nut Torque: 4-6 Kgf.cm (0.4~0.6N.m).
- \* Wire harness Tolerance: 150~300 ±15mm  
 301~1000 ±20mm  
 Over 1000 ±40mm



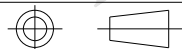
Pin Assignment  
 Front View



Recommended  
 Panel Cut-Out

PE	Black	黑
3	Blue	藍
2	White	白
1	Brown	棕
Conn.	Wire Color	Pin Out

UNIT:mm



TITLE

M12 S-Code 4Pin Male Type

**Amphenol LTW**

安費諾亮泰企業股份有限公司

ITEM NO

DWG NO

M12S-04PMMS-SF8CXX

CUSTOMER

ALTW

DRAWN BY

Feng\_Li

CHECKED BY

Mafei

APPROVED BY

Jerry

DATE

2017-10-09

DATE

2017-10-09

DATE

2017-10-09

TOLERANCE  
 .X ±0.25  
 .XX ±0.1  
 .XXX ±0.05  
 ANGLES ±1°

SCALE

1:1

SIZE

A4

SHEET

1

OF

1

REV.

B

WC-REV.

A.1

$\varnothing$  Inspection item

THIS DOCUMENT IS SUBJECT TO CHANGE WITHOUT NOTICE. IT IS CONFIDENTIAL AND A PROPERTY OF Amphenol LTW. DISCLOSURE TO THIRD PARTY HAS TO BE AUTHORIZED BY Amphenol LTW.