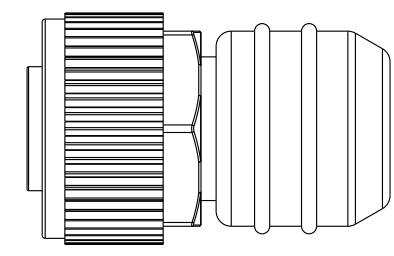
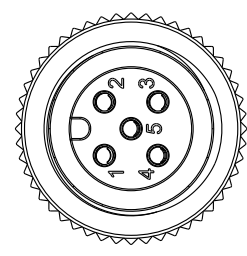
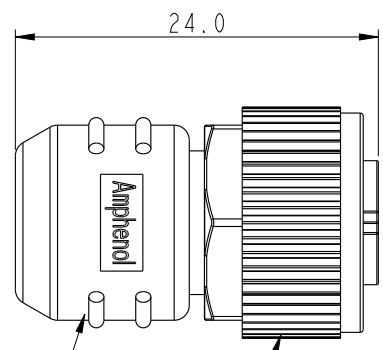


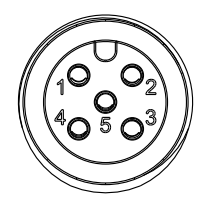
THIS DOCUMENT IS SUBJECT TO CHANGE WITHOUT NOTICE. IT IS CONFIDENTIAL AND A PROPERTY OF AMPHENOL LTW. DISCLOSURE TO THIRD PARTY HAS TO BE AUTHORIZED BY AMPHENOL LTW.

REV.	ECN NO.	DATE	SIGN	DESCRIPTION



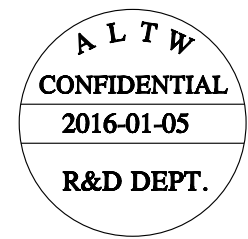
- Resistor (6)
- Outer Mold Bule (7)
- Connector (1)
- Female Pin 1 (2)
- Female Pin 2 (3)
- Female Nut (4)
- O-Ring (5)

Conn.



Conn.
Pin Assignments
Front View

Resistor	5
	4
Pin Out	Conn.



Note:
 * (CC) Important Dimension To Check.
 * Waterproof Rate: IP68
 In 1 meter water within 24 hours
 * Connector: PU, Black
 * Nut: PA66, Black
 * Pin: Copper Alloy, Gold Plated 30u"
 * Outer Mold: PU, Blue
 * Resistor: 1/4, 120Ω, 5% Resistance

UNIT: mm

TOLERANCE ±0.50mm

TITLE NMEA2000 Micro-C Terminator Female Connector			
SCALE 1:1	SIZE A4	SHEET 1 OF 1	
REV. A	WC-REV. A.1	CC: Inspection item	

Amphenol LTW
 安費諾亮泰企業股份有限公司

ITEM NO. HMCP-05BFFT-SL8001	DRAWN BY Cary	DATE 2016-01-05
DWG NO. HMCP-05BFFT-SL8001	CHECKED BY Yulong	DATE 2016-01-05
CUSTOMER ALTW	APPROVED BY Jerry	DATE 2016-01-05