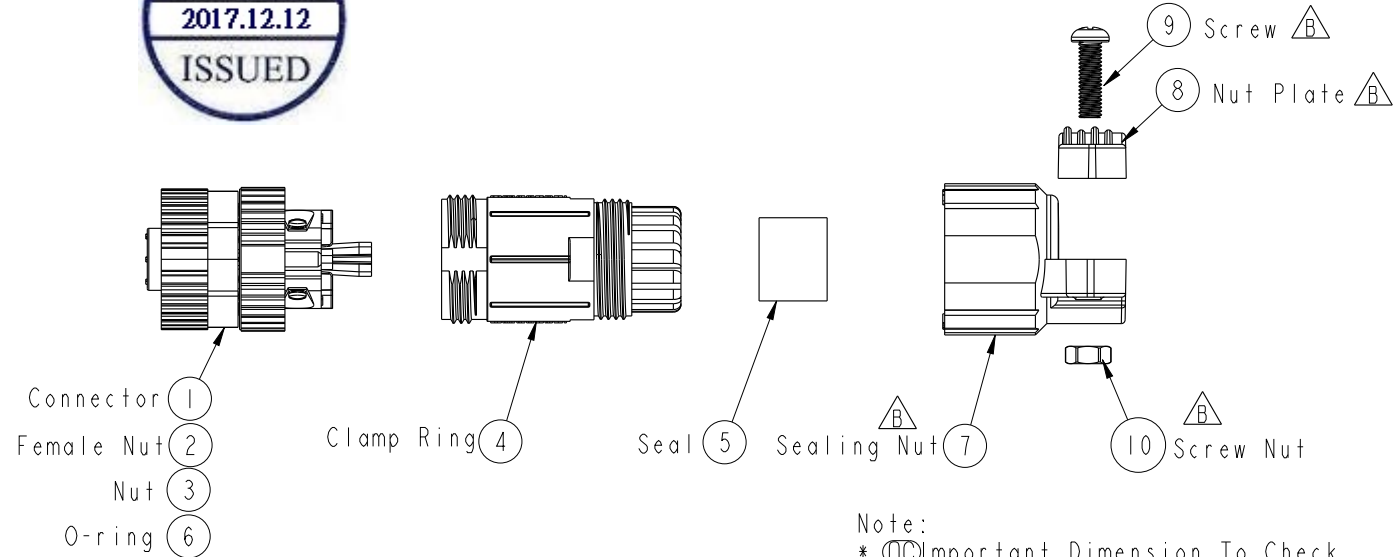
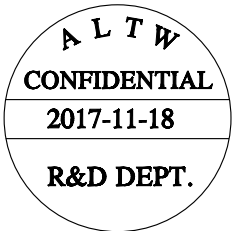
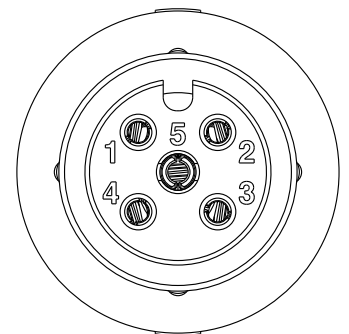


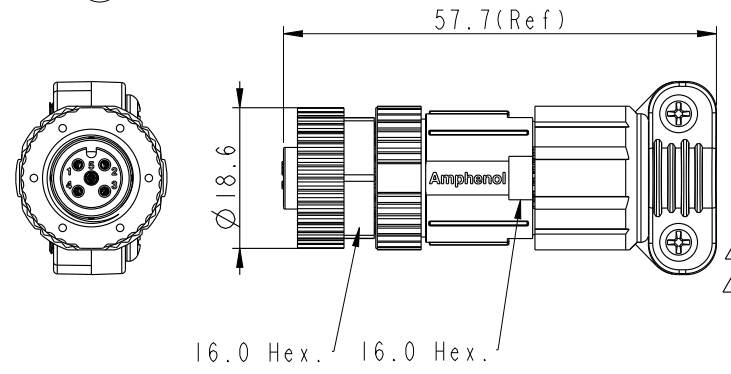
REV.	ECN NO.	DATE	SIGN	DESCRIPTION
A	Initial Release	2017-04-13	Frank Deng	Rev.01 To Rev.A
B	LE317B0194	2017-11-18	Frank Deng	Update Drawing



- Note:
- \*  $\varnothing$  Important Dimension To Check.
  - \* Waterproof Rate: IP67
  - \* Housing: Nylon, Black
  - \* Female Pin: Copper Alloy, Gold Plated
  - \* Female Nut: PBT+PC, Black
  - \* Nut: PBT+PC, Black
  - \* O-Ring: Silicon, Grey
  - \* Clamp Ring: Nylon, Black
  - \* Seal: Silicon, Grey
  - \* Sealing Nut: Nylon+GF, Black
  - \* Nut Plate: Nylon+GF, Black
  - \* Seal For Cable OD:  $\varnothing 4.0\text{mm} \sim \varnothing 8.0\text{mm}$
  - \* Screws for Wire connection recommended tightening torque: 0.61~0.84 kgf.cm / 0.059~0.082 N.m
  - \* Applicable Wire gauge (Stranded wire cross section) 0.14mm<sup>2</sup> (26AWG) ~ 0.82mm<sup>2</sup> (18AWG)
  - \* Mating Recommended tightening torque: 4~6 kgf.cm / 0.39~0.59 N.m
  - \* Sealing-Nut Recommended tightening torque: 4~6 kgf.cm / 0.39~0.59 N.m
  - \* Detailed applicable wire specifications may vary depending on the actual wire construction.



Pin Assignments  
Front View



UNIT: mm		
TOLERANCE		
.X	$\pm 0.25$	
.XX	$\pm 0.1$	
.XXX	$\pm 0.05$	
ANGLES	$\pm 1^\circ$	

TITLE NMEA MICRO-C, FIELD INSTALLABLE 5PIN, S/T, F CONN F PIN, PLASTIC			
SCALE	SIZE	SHEET	OF
1:1	A4	1	1
REV.	WC-REV.	$\varnothing$ : Inspection item	
B	A.2		

**Amphenol LTW**  
安費諾亮泰企業股份有限公司

ITEM NO.	HPC-05BFFB-SL7001	DRAWN BY	Frank Deng	DATE	2017-11-18
DWG NO.	HPC-05BFFB-SL7001	CHECKED BY	Fisher Wang	DATE	2017-11-18
CUSTOMER	ALTW	APPROVED BY	Kevin Hu	DATE	2017-11-18

THIS DOCUMENT IS SUBJECT TO CHANGE WITHOUT NOTICE. IT IS CONFIDENTIAL AND A PROPERTY OF Amphenol LTW. DISCLOSURE TO THIRD PARTY HAS TO BE AUTHORIZED BY Amphenol LTW.