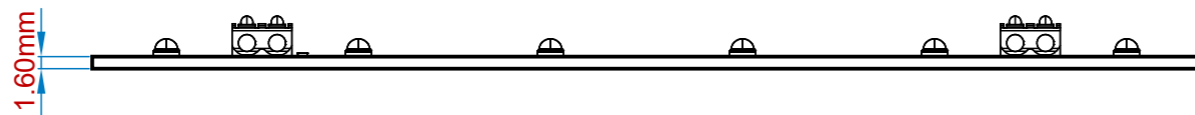
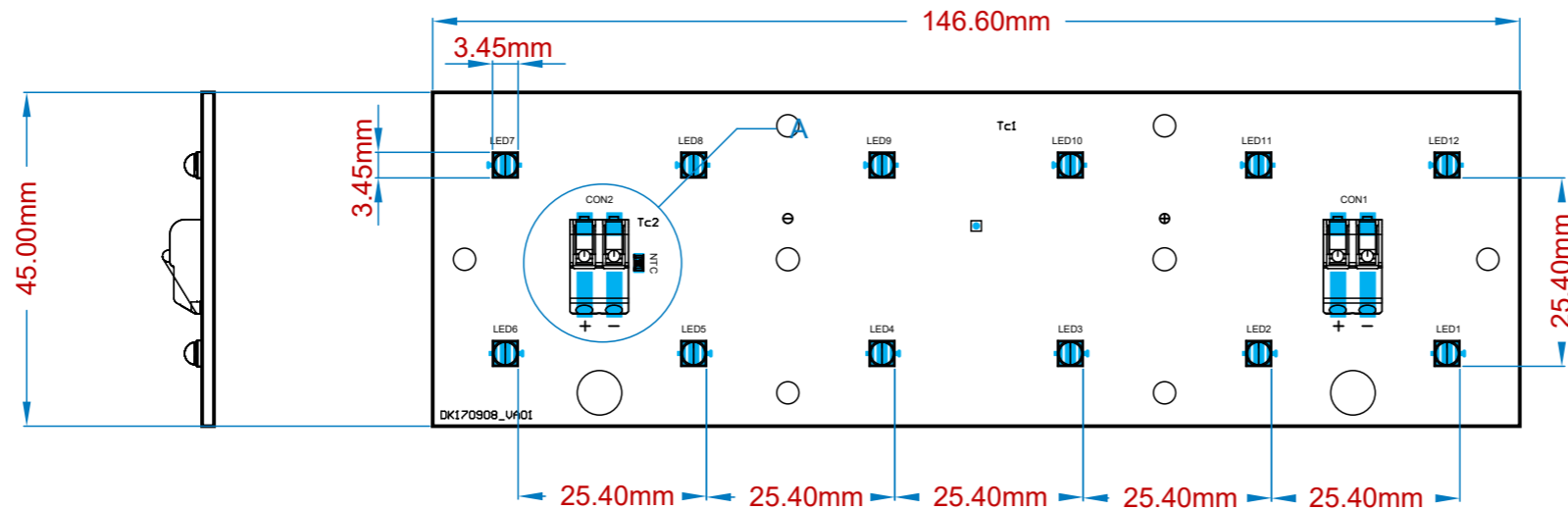


View from Front side (Scale 1:1)

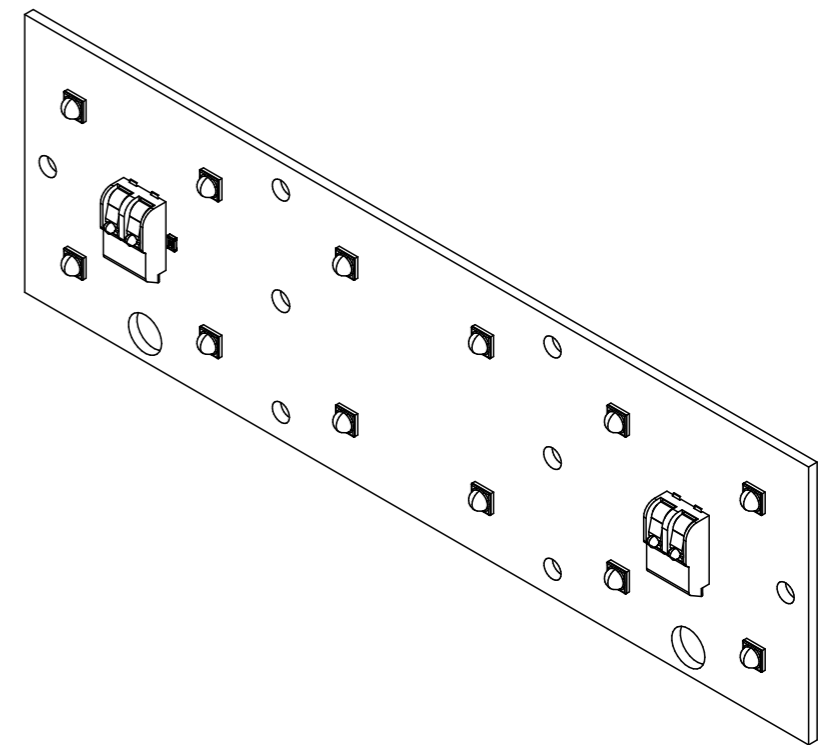


View from Right side (Scale 1:1)

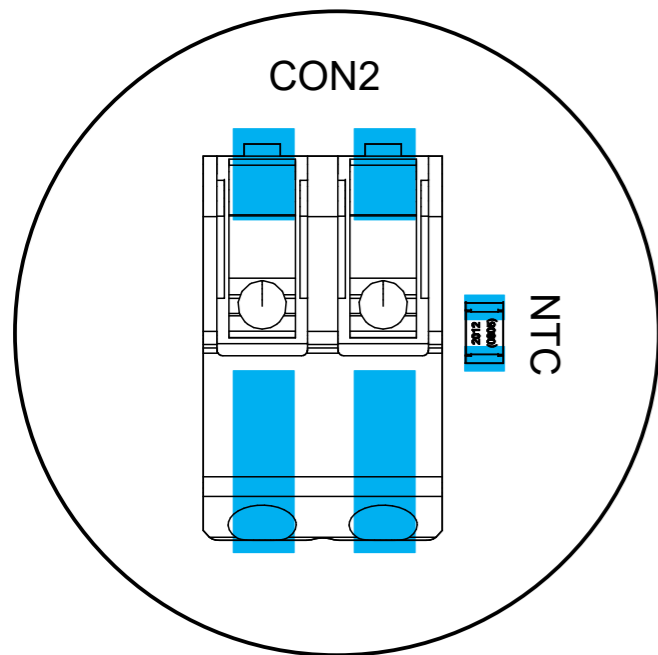


View from Top side (Scale 1:1)

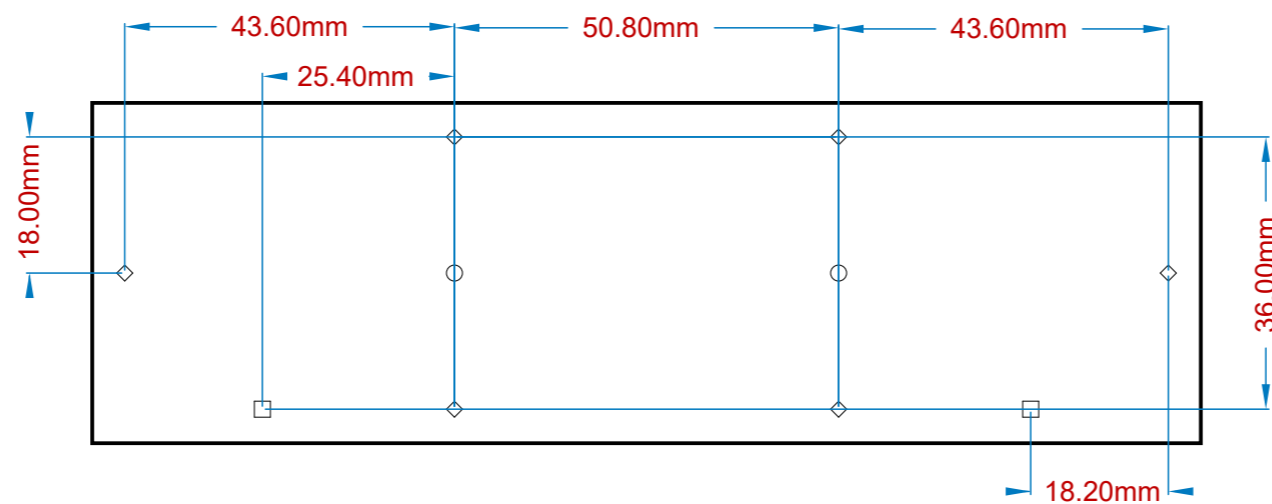
View from Top side (Scale 1:1)



DETAIL A (Scale 4:1)



Drill Drawing View (Scale 1:1)



Drill Table

Symbol	Count	Hole Size	Plated	Hole Tolerance
◇	6	3.20mm	Non-Plated	None
○	2	3.30mm	Non-Plated	None
□	2	6.20mm	Non-Plated	None
	10 Total			

Title: DK170908_NC-12RW45147S-XPG3_VB01.PcbDoc

Scale: 1:1

Date: 2017-09-28

Sheet: 1 of 1

Version: VA01

Date: 2017-09-28

Time: 16:24

Size: A3

Drawn by: Tomasz Peciak

NIVISS
ul.Rdestowa 56
81-577 Gdynia
POLAND

