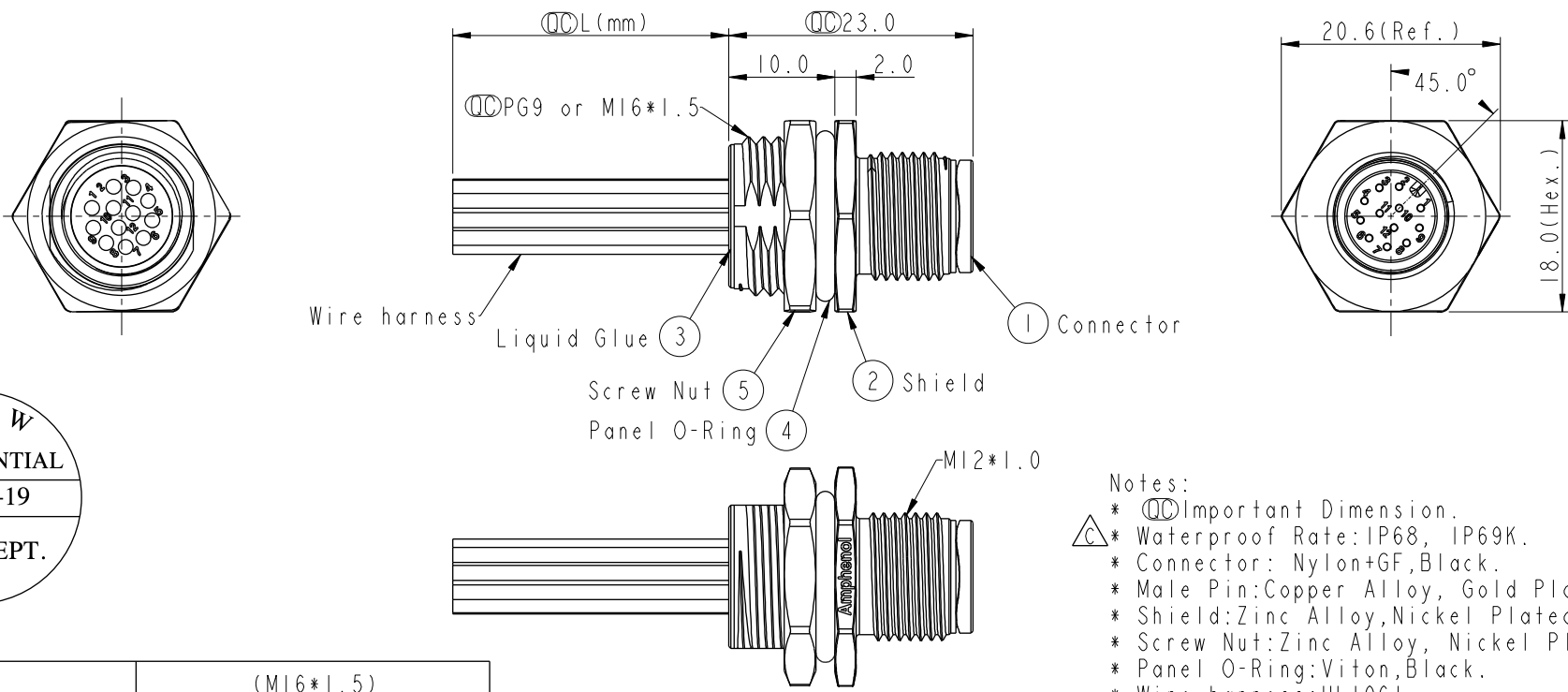


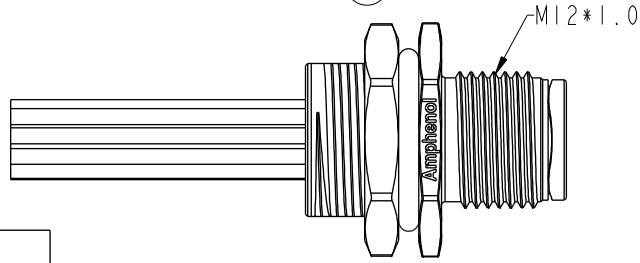
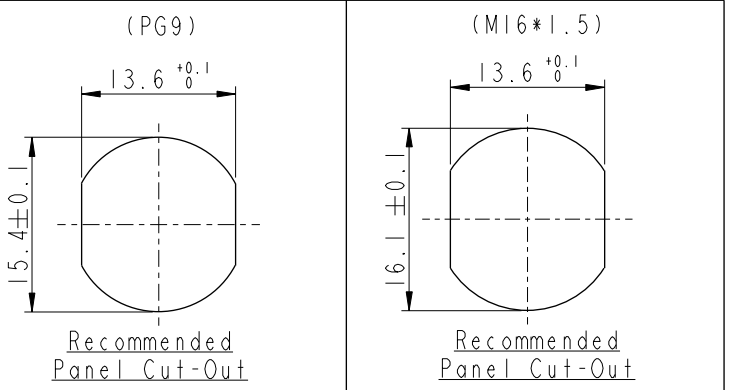
THIS DOCUMENT IS SUBJECT TO CHANGE WITHOUT NOTICE. IT IS CONFIDENTIAL AND A PROPERTY OF Amphenol LTW. DISCLOSURE TO THIRD PARTY HAS TO BE AUTHORIZED BY Amphenol LTW.

REV.	ECN NO.	DATE	SIGN	DESCRIPTION
B	LE31570262~271	2015/07/23	Yulong_wang	Change to Share Drawing.
C	LEN1680581~592 LEN1680604~605	2016/08/08	Yulong_wang	Add 6Pin & IP69K.
D	E191630	2019/09/19	Ruru	Update Wire Tolerance



ALTW
 CONFIDENTIAL
 2019-09-19
 R&D DEPT.

- Notes:
- * \varnothing Important Dimension.
 - * Waterproof Rate: IP68, IP69K.
 - * Connector: Nylon+GF, Black.
 - * Male Pin: Copper Alloy, Gold Plated.
 - * Shield: Zinc Alloy, Nickel Plated.
 - * Screw Nut: Zinc Alloy, Nickel Plated.
 - * Panel O-Ring: Viton, Black.
 - * Wire harness: ULI061
 - * Rated Voltage: 3 & 4Pin 250V dc. or ac.
5Pin 60V dc. or ac.
6~12Pin 30V dc. or ac.
 - * Rated Current: 3~5Pin 4A
6~8Pin 2A
10~12Pin 1.5A
 - * Operating Temperature: -25~85°C
 - * For Panel Thickness Max 4.5mm.
 - * Nut Torque: 4-6 Kgf.cm.
 - * Wire harness Tolerance: 150~300±15mm
301~1000±20mm
Over1000 ±50/-0mm

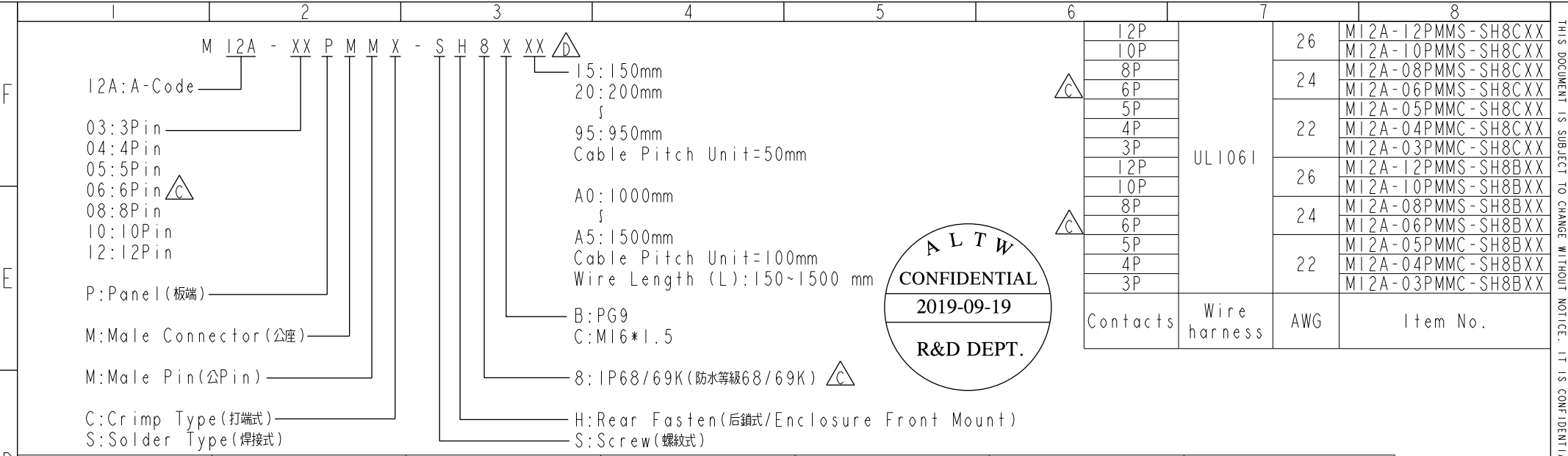


UNIT: mm		TITLE M12 A-Code Male Conn. Panel Rear With Wire harness
TOLERANCE .X ±0.25 .XX ±0.1 .XXX ±0.05 ANGLES ±1°	SCALE 3:2	SIZE A4
	REV. D	SHEET 1 OF 2
	WC-REV. A.3	\varnothing : Inspection item

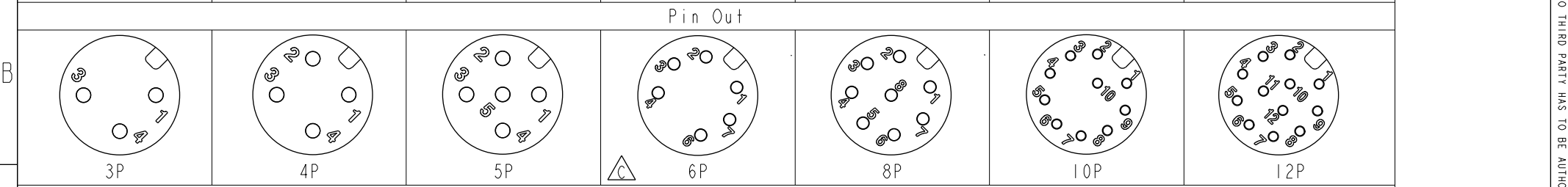
Amphenol LTW
 安費諾亮泰企業股份有限公司

ITEM NO	DRAWN BY Ruru	DATE 2019-09-19
DWG NO M12A-XXPMMX-SH8XXX	CHECKED BY Rita	DATE 2019-09-19
CUSTOMER ALTW	APPROVED BY Max	DATE 2019-09-19

THIS DOCUMENT IS SUBJECT TO CHANGE WITHOUT NOTICE. IT IS CONFIDENTIAL AND A PROPERTY OF Amphenol LTW. DISCLOSURE TO THIRD PARTY HAS TO BE AUTHORIZED BY Amphenol LTW.



Pin #	Wire	Pin #	Wire	Pin #	Wire	Pin #	Wire	Pin #	Wire	Pin #	Wire	Pin #	Wire	Pin #	Wire
12	--	12	Red/Blue	12	Red/Blue	12	Red/Blue	12	Red/Blue	12	Red/Blue	12	Red/Blue	12	Red/Blue
11	--	11	Gray/Pink	11	Gray/Pink	11	Gray/Pink	11	Gray/Pink	11	Gray/Pink	11	Gray/Pink	11	Gray/Pink
10	Violet	10	Violet	10	Violet	10	Violet	10	Violet	10	Violet	10	Violet	10	Violet
9	Black	9	Black	9	Black	9	Black	9	Black	9	Black	9	Black	9	Black
8	Red	8	Red	8	Red	8	Red	8	Red	8	Red	8	Red	8	Red
7	Blue	7	Blue	7	Blue	7	Blue	7	Blue	7	Blue	7	Blue	7	Blue
6	Pink	6	Pink	6	Pink	6	Pink	6	Pink	6	Pink	6	Pink	6	Pink
5	Gray	5	Gray	5	Gray	5	Gray	5	Gray	5	Gray	5	Gray	5	Gray
4	Yellow	4	Yellow	4	Yellow	4	Yellow	4	Yellow	4	Yellow	4	Yellow	4	Yellow
3	Green	3	Green	3	Green	3	Green	3	Green	3	Green	3	Green	3	Green
2	Brown	2	Brown	2	Brown	2	Brown	2	Brown	2	Brown	2	Brown	2	Brown
1	White	1	White	1	White	1	White	1	White	1	White	1	White	1	White



Pin Assignments Front View

UNIT: mm TOLERANCE .X ±0.25 .XX ±0.1 .XXX ±0.05 ANGLES ±1°	TITLE M12 A-Code Male Conn. Panel Rear With Wire harness			Amphenol LTW 安費諾亮泰企業股份有限公司		ITEM NO M12A-XXPMXX-SH8XXX	DRAWN BY Ruru	DATE 2019-09-19
	SCALE 3:2	SIZE A4	SHEET 2 OF 2			CUSTOMER ALTW	CHECKED BY Rita	DATE 2019-09-19
REV. D	WC-REV. A.3	Inspection item			APPROVED BY Max	DATE 2019-09-19		