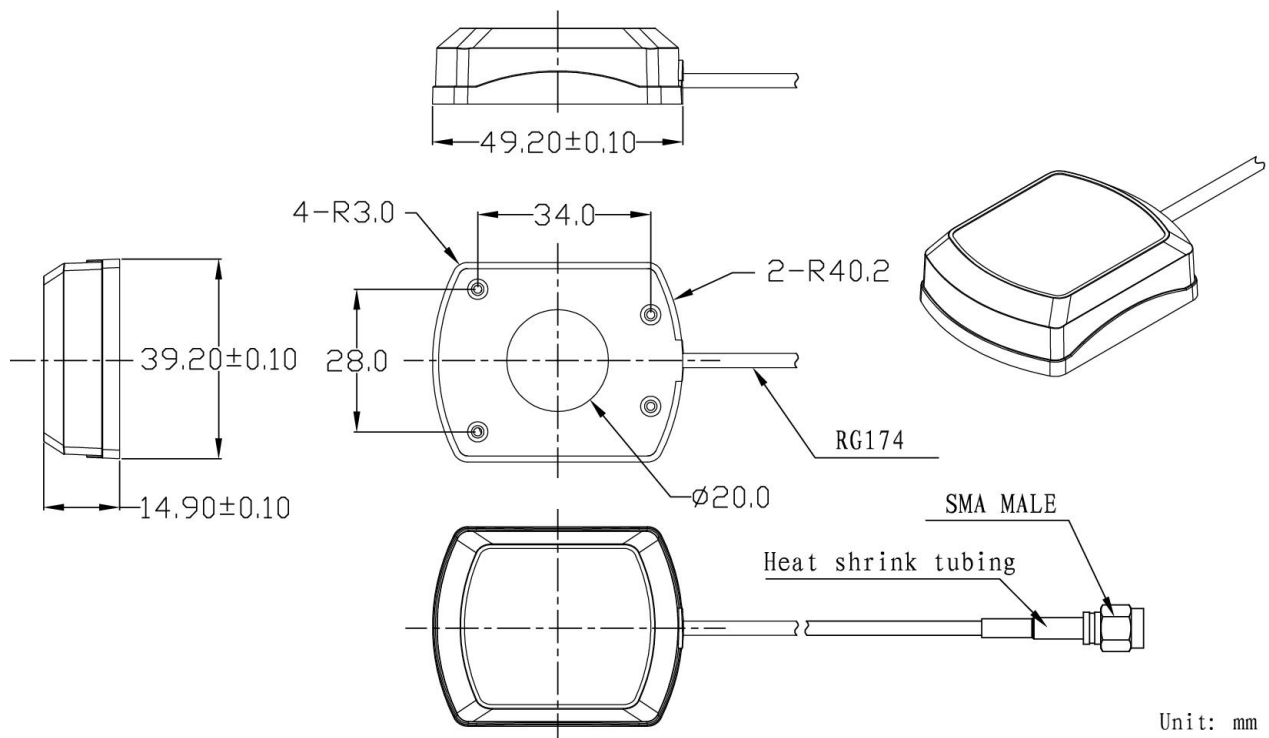


GPS+GLONASS Active Antenna

JCL001



DIMENSIONS



JIAXING JINCHANG ELECTRONIC TECHNOLOGY CO.,LTD

Add: 398#, Zhenye Road, South Street, Jiaxing, Zhejiang, China

Http://www.jinchanggps.com

E-mail: jcgps@vip.163.com

Tel: 86-0573-83692157/83692605/83958637 Fax: 86-0573-83958635

SPECIFICATIONS

Item	Specifications	
Antenna	Center Frequency	1592±3MHz
	Band Width	CF±5MHz
	Polarization	RHCP
	Gain	2dBic (Zenith)
	V.S.W.R	<1.5
	Impedance	50 Ω
	Axial Ratio	3dB (max)
	Dimension	25*25*4mm
LNA	Gain	28±2dB
	Noise Figure	<1.5
	Filter Insertion Loss	<3dB
	Ex-band Attenuation	35dB@CF±50MHz/50dB@CF±100MHz
	Supply Voltage	2.2~5V DC
	Current Consumption	16~32mA
	V.S.W.R	<2.0
Mechanical	Cable	RG174
	Connector	SMA/MCX/FAKRA or others
	Radome Material	ABS
	Mounting Method	Magnet/Adhesive
Environmental	Operating Temperature	-40℃~+85℃
	Relative Humidity	Up to 95%
	Ingress Protection	IP65~IP67
	Vibration	10 to 55Hz with 1.5mm amplitude 2hours
	Environmentally Friendly	ROHS Compliant

Radiation Pattern

