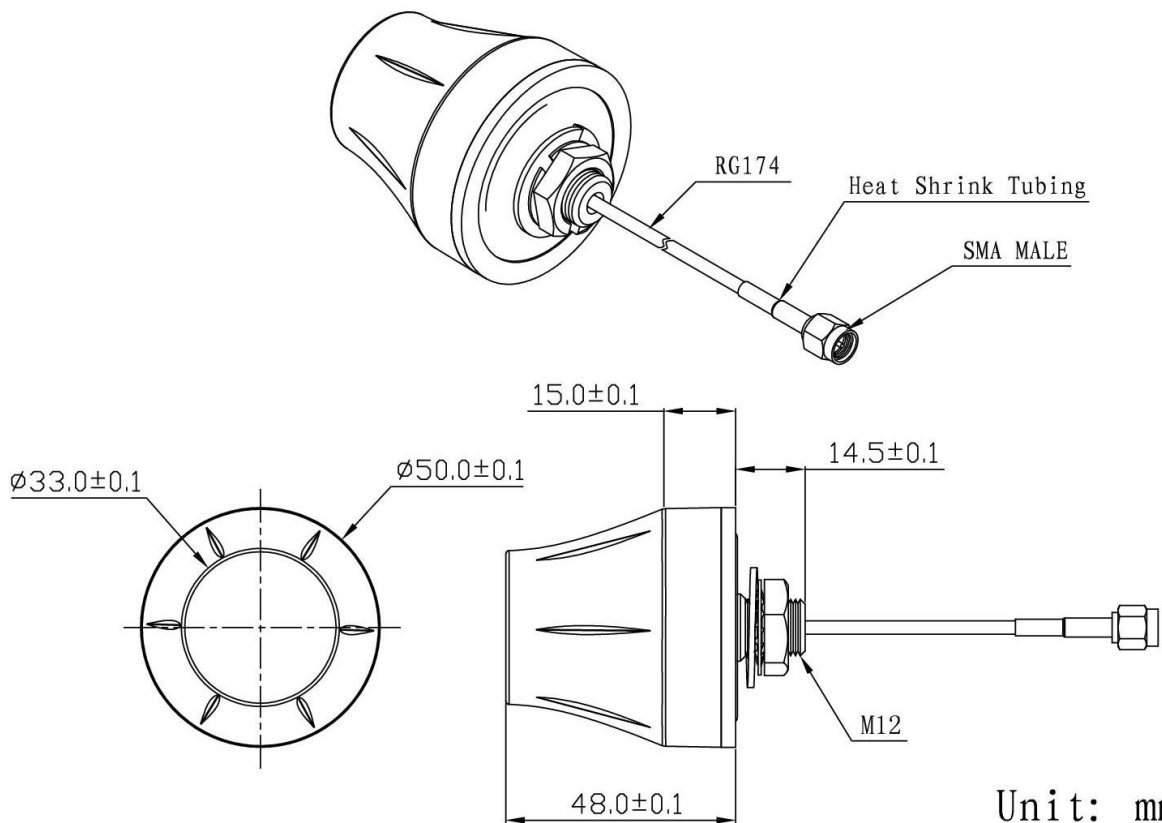


LTE Antenna

JCG058-4G



DIMENSIONS



Unit: mm



Jinchang Electron Global Service

SPECIFICATIONS

Item		Specifications
Antenna	Frequency Range	700~960/1710~2655MHz
	Polarization	Linear
	Gain	2dBi (Zenith)
	V.S.W.R(min)	<2.0
	Impedance	50 Ω
Mechanical	Cable	RG174 or others
	Connector	SMA or others
	Radome Material	ABS
	Mounting Method	Screw
Environmental	Operating Temperature	-40°C~+85°C
	Relative Humidity	Up to 95%
	Ingress Protection	IP67 (exclude cable outlet)
	Vibration	10 to 55Hz with 1.5mm amplitude 2hours
	Environmentally Friendly	ROHS Compliant

JIAXING JINCHANG ELECTRONIC TECHNOLOGY CO.,LTD

Add: 398#, Zhenye Road, South Street, Jiaxing, Zhejiang, China

Http:// www.jinchanggps.com

E-mail: jcgps@vip.163.com

Tel: 86-0573-83692157/83692605/83958637 Fax: 86-0573-83958635