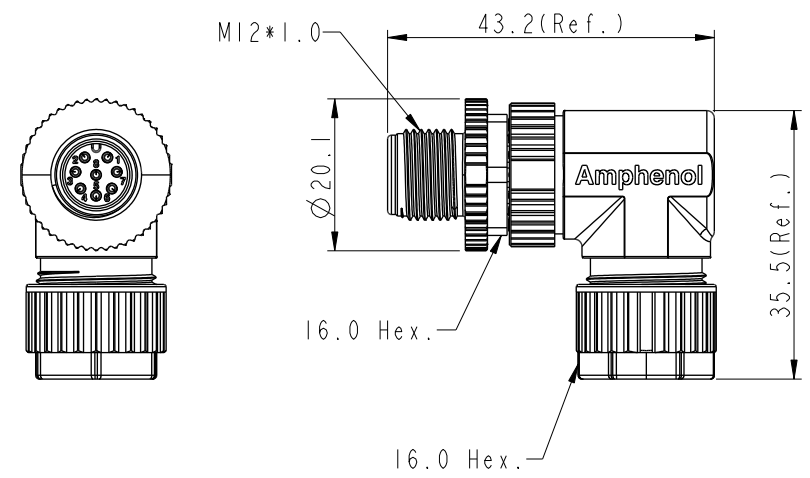
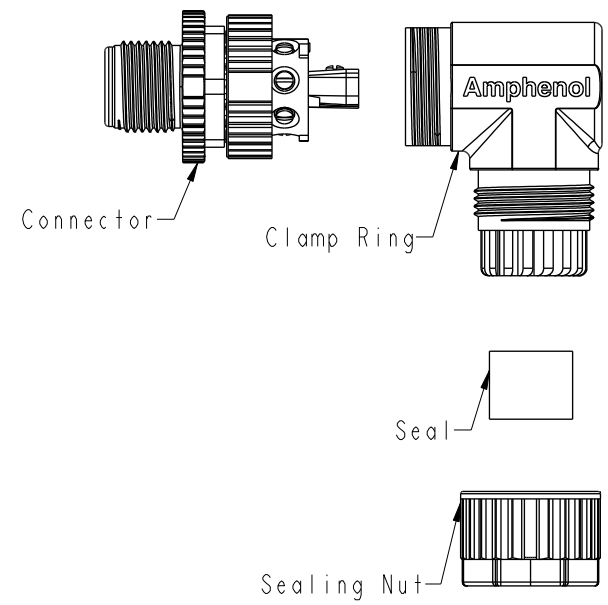


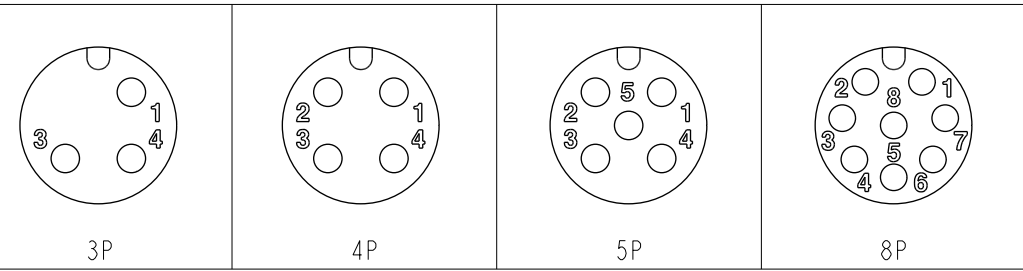
THIS DOCUMENT IS SUBJECT TO CHANGE WITHOUT NOTICE. IT IS CONFIDENTIAL AND A PROPERTY OF Amphenol LTW. DISCLOSURE TO THIRD PARTY HAS TO BE AUTHORIZED BY Amphenol LTW.

REV.	ECN NO.	DATE	SIGN	DESCRIPTION
B	C210561	2021/04/14	Vicky	$\triangle B$ X4



$\triangle B$ MSAP-XXBMMB-SR7001
 XX: No. Of Pin

- $\triangle B$
 Note:
- * RoHS Compliant
 - * \varnothing Important Dimension
 - * Waterproof rate: IPX7, mated
 - * Connector
 - Housing: Thermoplastic, Black
 - Pin: Copper alloy, Gold plated
 - Extension Nut: Thermoplastic, Black
 - Nut: Thermoplastic, Black
 - O-Ring: Rubber, Gray
 - * Clamp Ring: Thermoplastic, Black
 - * Sealing Nut: Thermoplastic, Black
 - * Seal: Rubber, Gray, OD: $\varnothing 4.0\text{mm} \sim \varnothing 7.0\text{mm}$
 - * One set unassembled in one pe bag



Pin Assignments Front View

UNIT: mm	\varnothing	∇	TITLE N SEN, M12 A -PLASTIC, SCREW CABLE W/O SR, M, M, FI SCREW
TOLERANCE .X ± 0.25 .XX ± 0.1 .XXX ± 0.05 ANGLES $\pm 1^\circ$	$\triangle B$	SCALE 1:1	SIZE A4
		REV. B	WC-REV. A.2
			SHEET 1 OF 1 \varnothing Inspection item

Amphenol LTW
 安費諾亮泰企業股份有限公司

ITEM NO	DRAWN BY Mila	DATE 2015-09-29
DWG NO MSAP-XXBMMB-SR7001	CHECKED BY Cary	DATE 2015-09-29
CUSTOMER ALTW	APPROVED BY Jerry	DATE 2015-09-29