

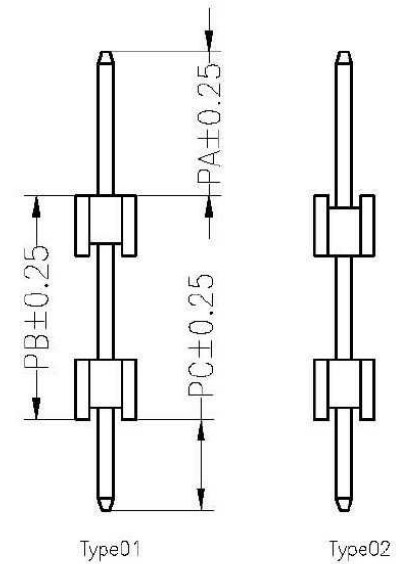
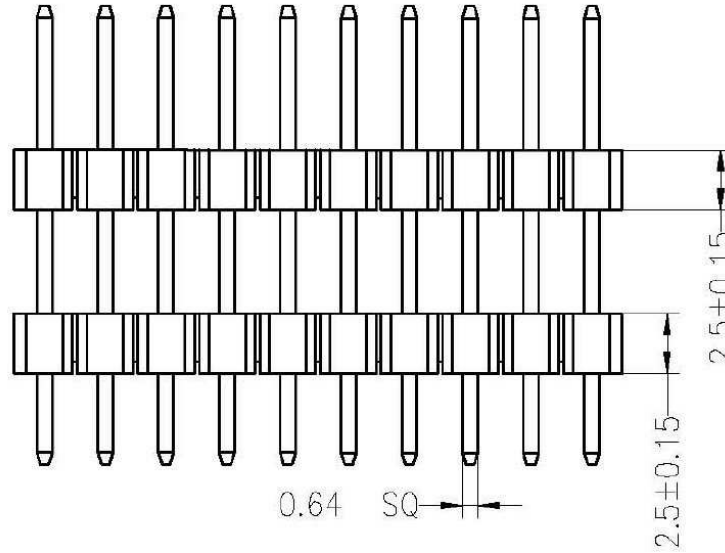
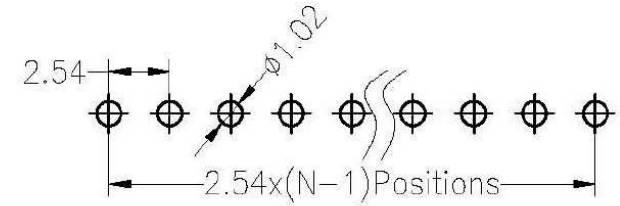
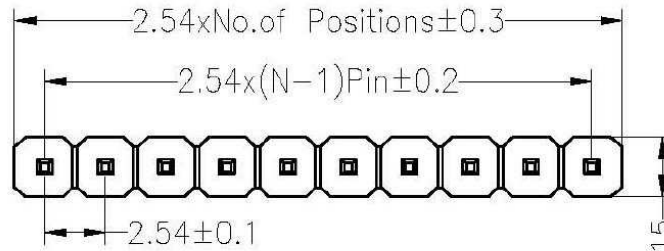


SPECIFICATIONS

Rated Current:3.0AMP
 Contact Resistance:20mΩ Max
 Withstand Voltage:1000V AC/DC
 Insulation Resistance:1000MΩ Min
 Operation Temperature:-40°C to +105°C

Contact Material:Brass
 Contact Plating:Au Over Ni
 Insulator Material:Polyester(UL94V-0)
 Standard: PA6T
 Max.Processing Temp: 230°C for 30-60 seconds
 (260°C for 5 seconds)

Recommended P.C.B Layout(Top Side)
 (PCB BOARD TOLERANCE±0.05)



Dimension antitheses list				
ITEM	PA	PB	PC	L
Standard	6.0	12.0	3.0	21.0
Alternate				

CONN THERM

				OPERATION		DRAW		SCALE		FIT		
				X.X	±0.30			UNIT	mm		PART NO.	
				X.XX	±0.20	CHECK		SIZE	A4			PLSP40S12-JL
AD				NEW DRAWING				SHEET	1/1			
REV	DATE	MODIFICATION DESCRIPTION		CHANGE	DIM	TOL	APPROVE	PROJ.	TITLE:		2.54PH H2.50mm Single 180° Npin	