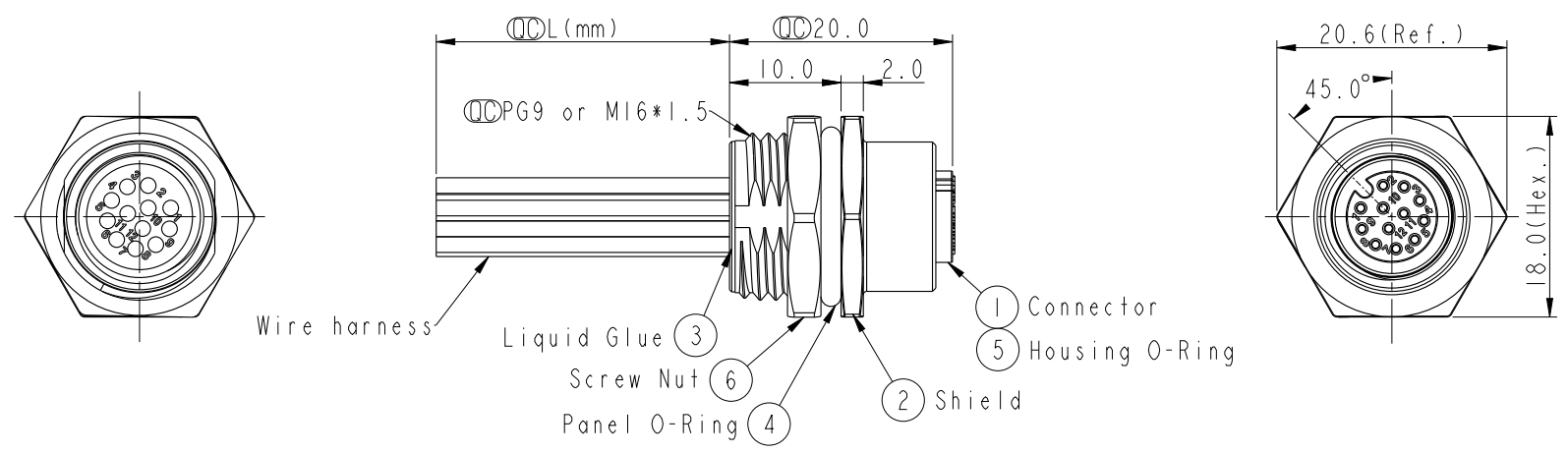
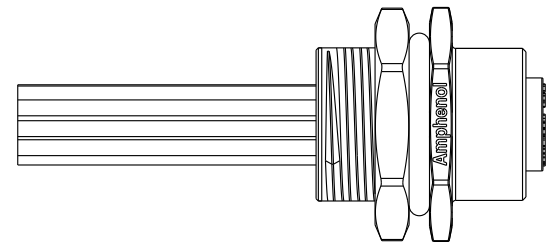


THIS DOCUMENT IS SUBJECT TO CHANGE WITHOUT NOTICE. IT IS CONFIDENTIAL AND A PROPERTY OF Amphenol LTW. DISCLOSURE TO THIRD PARTY HAS TO BE AUTHORIZED BY Amphenol LTW.

REV.	ECN NO.	DATE	SIGN	DESCRIPTION
B	LE31570242~251	2015/07/23	Yulong_wang	Change to Share Drawing.
C	LEN1680557~568	2016/08/08	Yulong_wang	Add 6Pin & IP69K.

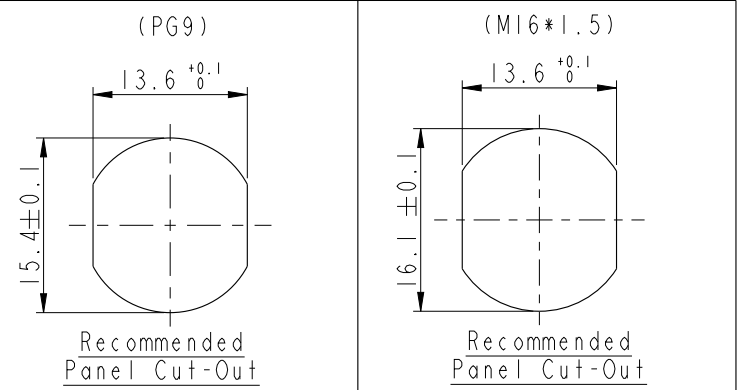


ALTW
CONFIDENTIAL
2016-08-08
R&D DEPT.



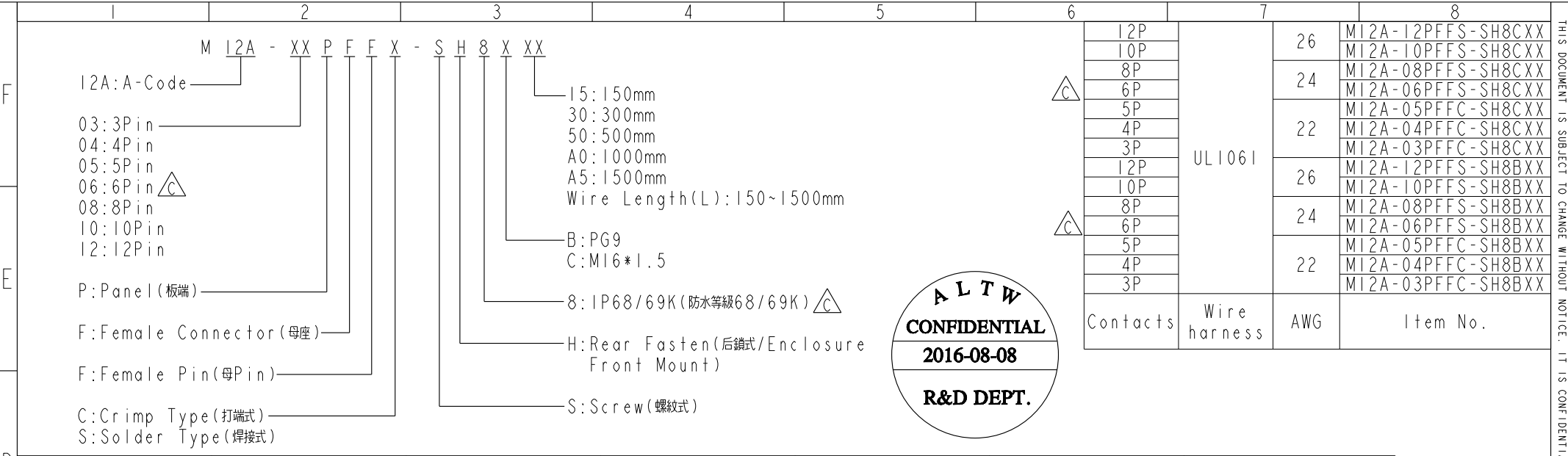
- Notes:
- * \varnothing Important Dimension.
 - * \triangle Waterproof Rate: IP68, IP69K.
 - * Connector: Nylon+GF, Black.
 - * Female Pin: Copper Alloy, Gold Plated.
 - * Shield: Zinc Alloy, Nickel Plated.
 - * Screw Nut: Zinc Alloy, Nickel Plated.
 - * Panel O-Ring: Viton, Black.
 - * Housing O-Ring: Viton, Green.
 - * Wire harness: UL1061
 - * Rated Voltage: 3 & 4Pin 250V dc. or ac.
5Pin 60V dc. or ac.
6~12Pin 30V dc. or ac.
 - * Rated Current: 3~5Pin 4A
6~8Pin 2A
10~12Pin 1.5A
 - * Operating Temperature: -25~85°C
 - * For Panel Thickness Max 4.5mm.
 - * Nut Torque: 4-6 Kgf.cm.
 - * Wire harness Tolerance: 150~300 ±15mm
301~1000 ±20mm
Over1000 ±40mm

ALTW
DCC. DEPT.
CONFIDENTIAL
2016.08.16
ISSUED



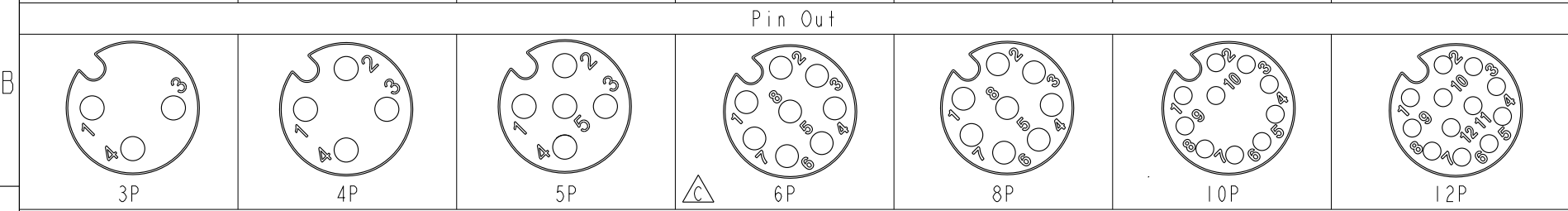
UNIT: mm		TITLE		<h1 style="margin: 0;">Amphenol LTW</h1> <p style="margin: 0;">安費諾亮泰企業股份有限公司</p>	ITEM NO	DRAWN BY	DATE
		M12 A-Code Female Conn. Panel Rear With Wire harness			DWG NO	Yulong_wang	2016-08-08
TOLERANCE		SCALE	SIZE	SHEET	OF	CHECKED BY	DATE
.X ±0.25		3:2	A4	1	2	Jinhai	2016-08-08
.XX ±0.1		REV.	WC-REV.	Inspection item		APPROVED BY	DATE
.XXX ±0.05		C	A.3			Jerry	2016-08-08
ANGLES ±1°				CUSTOMER			
				ALTW			

A B C D E F 2 3 4 5 6 7 8



ALTW
CONFIDENTIAL
2016-08-08
R&D DEPT.

5	--	5	--	5	Gray	灰	5	Gray	灰	5	Red	紅	12	--	12	Red/Blue	紅/藍	
4	Black	4	Black	4	Black	黑	4	Black	黑	4	Blue	藍	11	--	11	Gray/Pink	灰/粉	
3	Blue	3	Blue	3	Blue	藍	3	Blue	藍	3	Pink	粉	10	Violet	10	Violet	紫	
2	--	2	White	2	White	白	2	White	白	2	Gray	灰	9	Black	9	Black	黑	
1	Brown	1	Brown	1	Brown	棕	1	Brown	棕	1	Red	紅	8	Red	8	Red	紅	
											7	Blue	藍	7	Blue	7	Blue	藍
											6	Pink	粉	6	Pink	6	Pink	粉
											5	Gray	灰	5	Gray	5	Gray	灰
											4	Yellow	黃	4	Yellow	4	Yellow	黃
											3	Green	綠	3	Green	3	Green	綠
											2	Brown	棕	2	Brown	2	Brown	棕
											1	White	白	1	White	1	White	白



Pin Assignments Front View

UNIT: mm TOLERANCE .X ±0.25 .XX ±0.1 .XXX ±0.05 ANGLES ±1°	TITLE M12 A-Code Female Conn. Panel Rear With Wire harness			<h1 style="text-align: center;">Amphenol LTW</h1> <h2 style="text-align: center;">安費諾亮泰企業股份有限公司</h2>		ITEM NO M12A-XXPFFX-SH8XXX	DRAWN BY Yulong_wang	DATE 2016-08-08
	SCALE 3:2	SIZE A4	SHEET 2 OF 2			DWG NO M12A-XXPFFX-SH8XXX	CHECKED BY Jinhai	DATE 2016-08-08
	REV. C	WC-REV. A.3	Inspection item	CUSTOMER ALTW	APPROVED BY Jerry	DATE 2016-08-08		