

Direction of the light beam

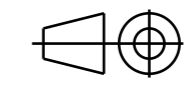
Notes

- PCB or heat sink level
- Led location

Ensure LED fitting from a product specific 3D model available from www.ledil.com

See installation details page 2.

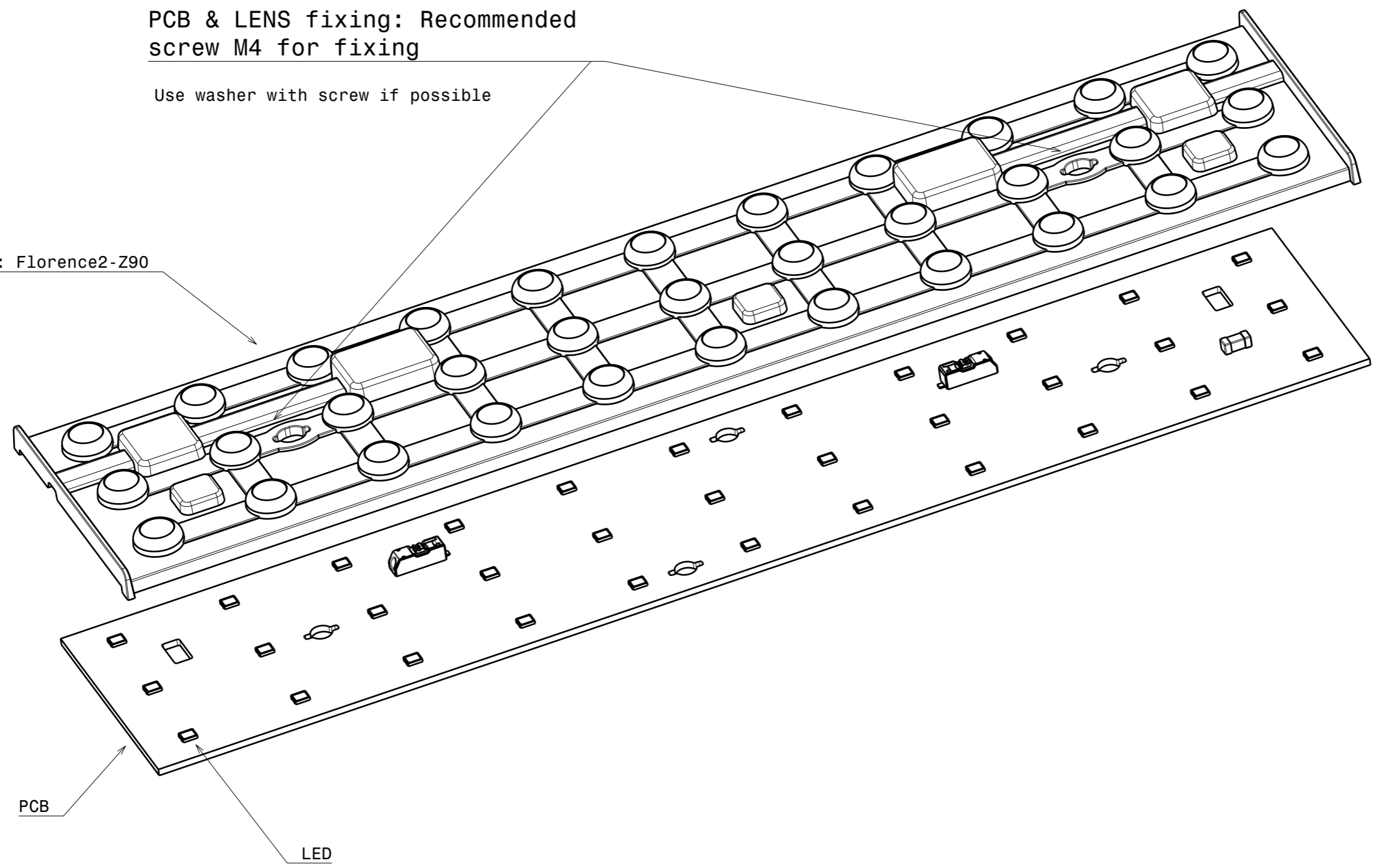
COMPONENTS				
INDEX	PRODUCT	TYPE	MATERIAL	COLOUR/COATING
1	F16007_Florence2-Z90	LENS	PMMA	CLEAR

MECHANICAL DRAWING			LEDiL [®]	
PRODUCT				
F16007_Florence2-Z90			This drawing is the property of LEDiL Oy. It may not be reproduced, copied or communicated without a written agreement with LEDiL Oy.	
Tolerances if not otherwise shown According to DIN ISO 2768-1 Linear measures: Up to 30mm class M, otherwise class C. According to DIN ISO 2768-2 Form and position: class L				
SCALE	1:2	FIRST ANGLE PROJECTION:		
SIZE	A3	SHEET		

PCB & LENS fixing: Recommended screw M4 for fixing

Use washer with screw if possible

Lens: Florence2-Z90

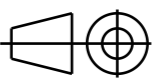


PCB

LED

Notes

For more details about installation please see LEDiL Installation Guide on www.ledil.com

MECHANICAL DRAWING		LEDiL[®]
PRODUCT F16007_Florence2-Z90		
Tolerances if not otherwise shown According to DIN ISO 2768-1 Linear measures: Up to 30mm class M, otherwise class C. According to DIN ISO 2768-2 Form and position: class L	FIRST ANGLE PROJECTION: 	This drawing is the property of LEDiL Oy. It may not be reproduced, copied or communicated without a written agreement with LEDiL Oy.
SCALE 1:1	SIZE A3	
SHEET 2/2		