

A

B

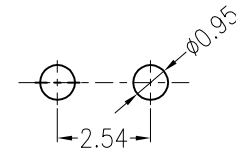
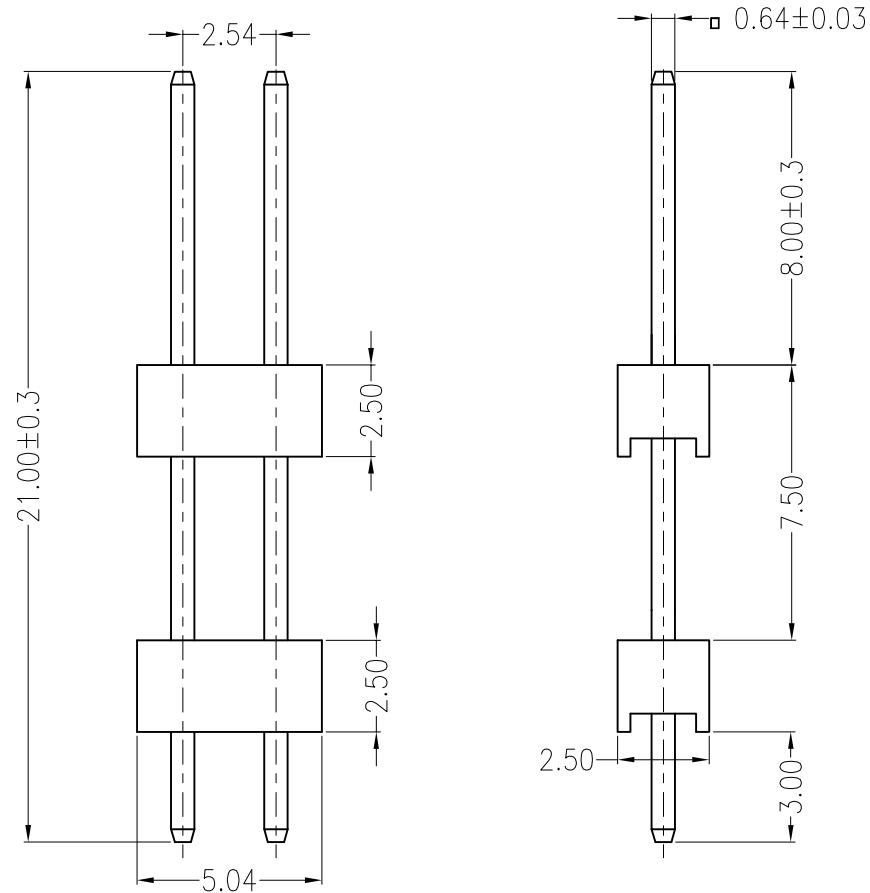
C

D

E

F

REV	ECN No.	DESCRIPTION	DESIGN	DATE
A	-	Release	吴丹平	2017.04.20



Board Layout
General Tolerance: ± 0.05

主要技术参数 Main Specifications

线 数 (Poles): 02 to 06
 接触电阻 (Contact resistance): $\leq 20m\Omega$
 绝缘电阻 (Insulation resistance): $\geq 1000M\Omega$
 额定电压 (Rated voltage): 250V AC DC
 额定电流 (Rated current): 2.0A AC DC
 耐 电 压 (Withstand Voltage): 1000V AC/minute
 温度范围 (Temperature Range) : $-40^{\circ}\text{C} \sim +110^{\circ}\text{C}$

LEDsconn

C				
B	CONTACT	2 PCS	Brass	Tin-plated
A	HOUSING	2 PCS	PA46	UL 94V-0, COLOR:BEIGE
ITEM	COMPONENT	Q'TY	MATERIAL	FINISH
LEDsconn				TITLE: 2.54Pitch 180°wafer dip type
X. ± 0.5	X. \pm	USE: CUSTOMER		PART NO.:
.X ± 0.3	.X \pm	APPD: 邵敬和		
.XX ± 0.2	.XX \pm	CHKD: 田 锋		DWG NO.:
--	--	DR: 吴丹平		
		UNITS: mm	DR: 吴丹平	SCALE 1 : 1
				SHEET 1 / 1

A

B

C

D

E

F

1

2

3

4

5

1

2

3

4

5