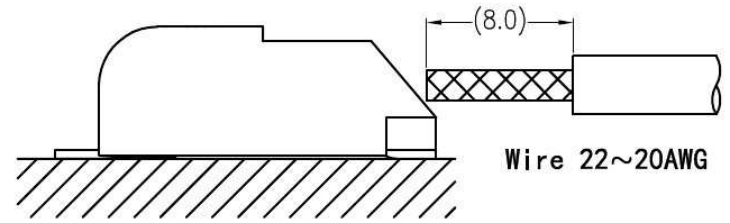
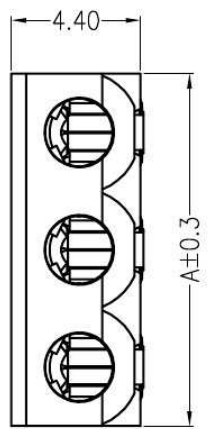
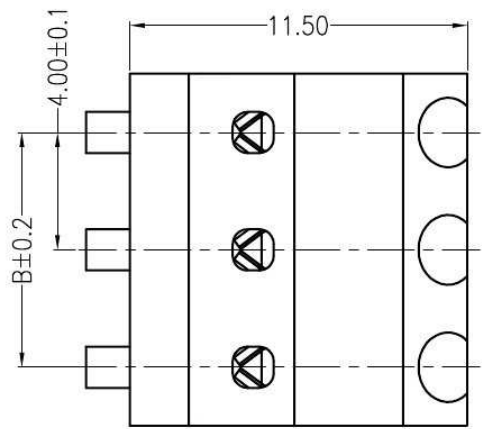


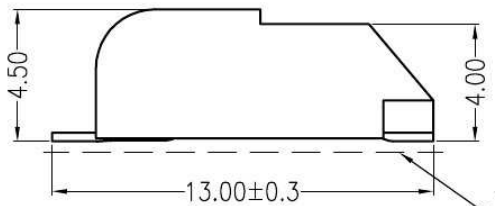
REV	ECN No.	DESCRIPTION	DESIGN	DATE
A0		Release	吴丹平	2017.03.23



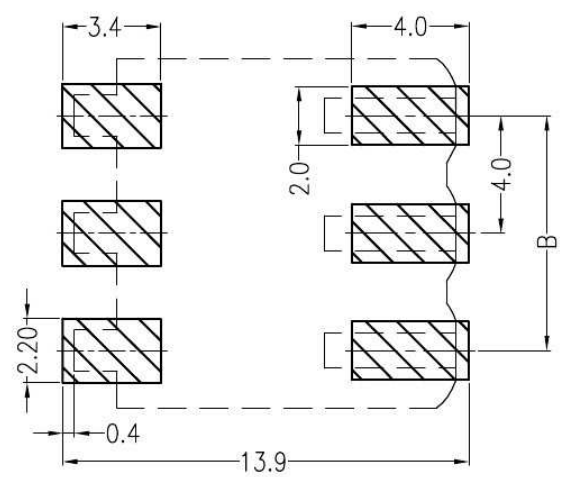
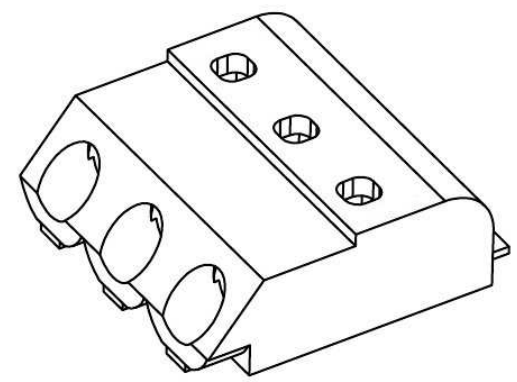
Installation drawing

主要技术参数 Main Specifications

- 线数 (Poles): 01 to 03P
- 接触电阻 (Contact resistance): $\leq 20m\Omega$
- 绝缘电阻 (Insulation resistance): $\geq 800M\Omega$
- 额定电压 (Rated voltage): 275V AC DC
- 额定电流 (Rated current): 6.0A AC DC
- 耐电压 (Withstand Voltage): 800V AC/minute
- 温度范围 (Temperature Range): $-40^{\circ}C \sim +130^{\circ}C$



$\Delta 0.15$ Max



Board Layout

Circuit	Dimensions (mm)	
	A	B
01	4.00	
02	8.00	4.00
03	12.00	8.00

C				
B	CONTACT	1~3 PCS	PhosphorBronze	MATTE Sn-plated
A	HOUSING	1 PCS	LCP	UL 94V-0, COLOR:BEIGE
ITEM	COMPONENT	Q'TY	MATERIAL	FINISH
LEDsconn				TITLE: - 4.0mmPITCH 90°WAFER SMT TYPE
X.±0.5	X.±5'	USE: CUSTOMER		PART NO.:
.X±0.3	.X±2'	APPD: 邵敬和		
.XX±0.25	.XX±1'	CHKD: 田峰		DWG NO.:
⊕	UNITS: mm	DR: 吴丹平		SCALE: 1 : 1
				SHEET: 1 / 1