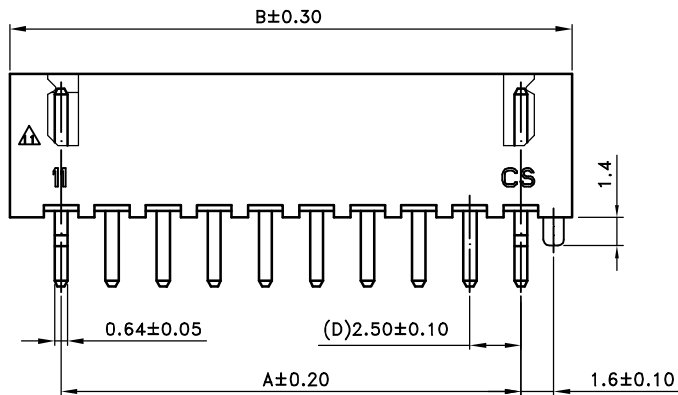
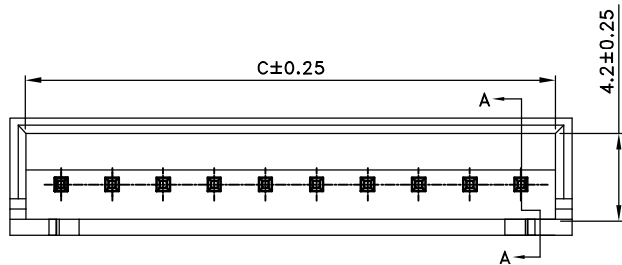
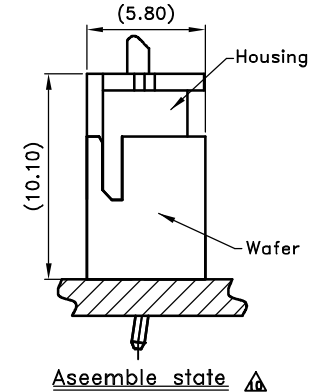
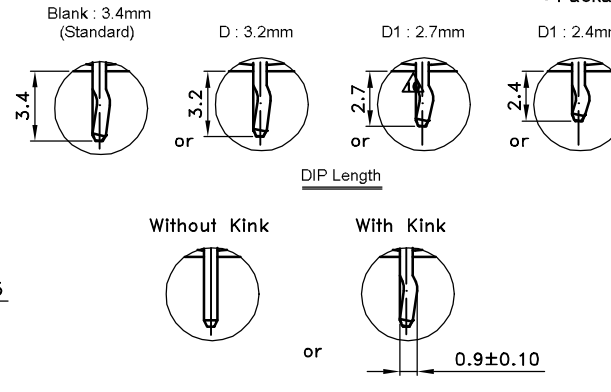
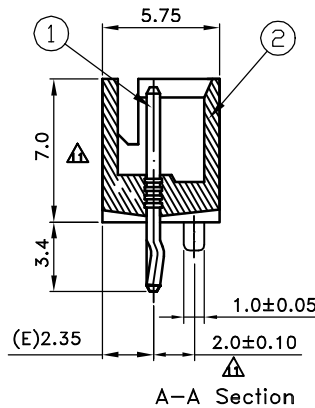
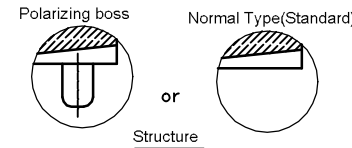
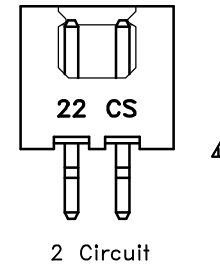
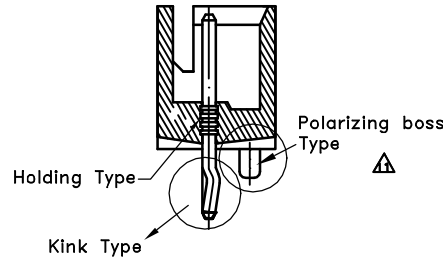


Recommended PCB Layout(Top View)

General tolerance±0.05



Poles	Dimension(mm)			Poles	Dimension(mm)		
	A	B	C		A	B	C
2	2.50	7.50	6.00	12	27.50	32.50	31.00
3	5.00	10.00	8.50	13	30.00	35.00	33.50
4	7.50	12.50	11.00	14	32.50	37.50	36.00
5	10.00	15.00	13.50	15	35.00	40.00	38.50
6	12.50	17.50	16.00	16	37.50	42.50	41.00
7	15.00	20.00	18.50	17	40.00	45.00	43.50
8	17.50	22.50	21.00	18	42.50	47.50	46.00
9	20.00	25.00	23.50	19	45.00	50.00	48.50
10	22.50	27.50	26.00	20	47.50	52.50	51.00
11	25.00	30.00	28.50				



■ SPECIFICATIONS

- Rated Voltage : 250 V AC/DC
- Current Rating : 3A AC/DC.
- Withstanding Voltage : 1,000V AC/minute
- Insulation Resistance : 1,000MΩ min.
- Temperature Range : - 25°C to + 85°C
- Contact resistance : 20mΩ max.

■ WAFER

- Part No. : JS-1001-XX X X (XX X X XX)XX

- ① Poles No : 2~20
- ② Structure 1 : Blank : Normal Type(Standard)
P : Polarizing boss
- ③ Structure 2 : Blank : Normal Type(Standard)
S : Holding Type
- ④ Plastic : Blank : Nylon 66 UL94V-0
GF : Nylon 66 UL94V-0 +15% G.F
- ⑤ Plated Blank : Bright-Tin Plated
NM : Matte-Tin Plated
G : Gold Plated
- ⑥ Kink Type: Blank : Without Kink(standard)
K : With Kink
- ⑦ Dip Length: Blank : 3.4mm (standard)
D : 3.2mm
D1: 2.7mm
D2: 2.4mm
- ⑧ Color :
Blank : Nature Y : YELLOW
R : Red(199C#) OR : ORANGE(#1375C)
R1 : Red(198C#) GN : GREEN(#3501C)
BK : BLACK
BU : BLUE
BU1 : BLUE(#3560C)
- Material :Contact : Brass
- Package : Bag

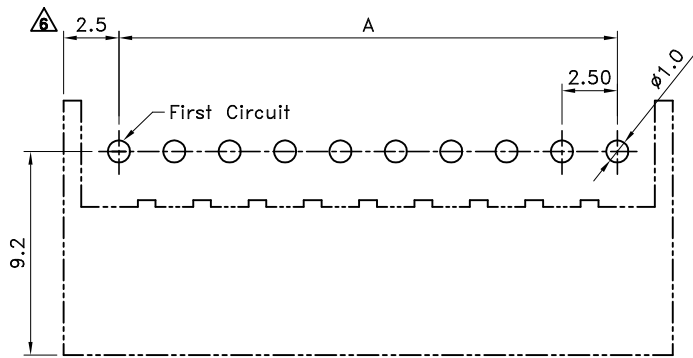


喬訊電子工業股份有限公司
CHYAO SHIUNN
ELECTRONIC INDUSTRIAL LTD.

APPROVED BY	SCALE	UNIT	TOLERANCE	LTR	REVISION RECORD	NAME	DATE	LTR	REVISION RECORD	NAME	DATE
Tom Shih		mm	.0 ±0.30		JS-1001全系列合併圖面	劉怡萱	2011/01/31		修正GF料選項排序	曾慶根	2020/06/05
CHECKED BY	PROJ	VER NO.	.00 ±0.20		新增產品規格	周美麗	2012/12/26		修正產品敘述	Eddie	2022/09/26
Erin Chou		a15	.000 ±0.10		修改材質說明	張遠雄	2013/04/03				
DRAWN BY	DATE	SIZE	ANGLE		增加Dip Length: D1: 2.7mm及無齒標示	周家慶	2013/08/09				
Eddie	2022/09/26	A4	0° ±1°		修正圖面與實物一致,變更尺寸,增加顏色選項, D2尺寸	黃廣珍	2013/10/29				
			.0° ±		增加材質說明	藍美娜	2016/08/24				
			SHEET 1/1		增加 BU1 & OR & GN 顏色選項	曾慶根	2018/12/26				

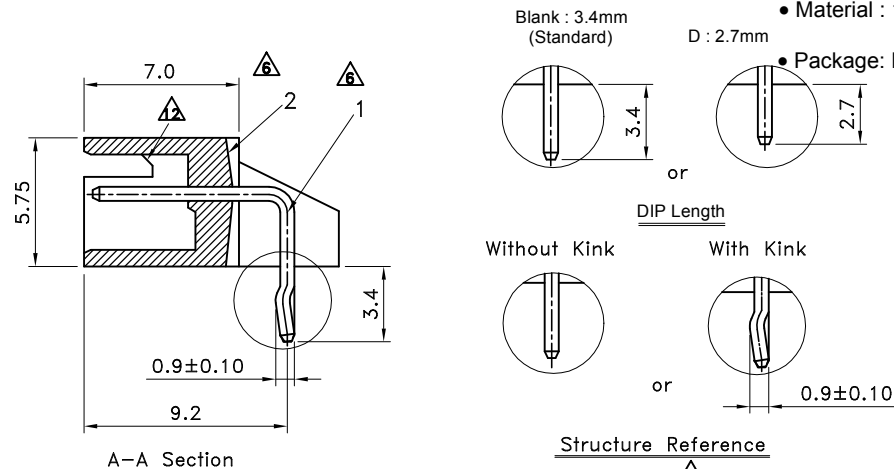
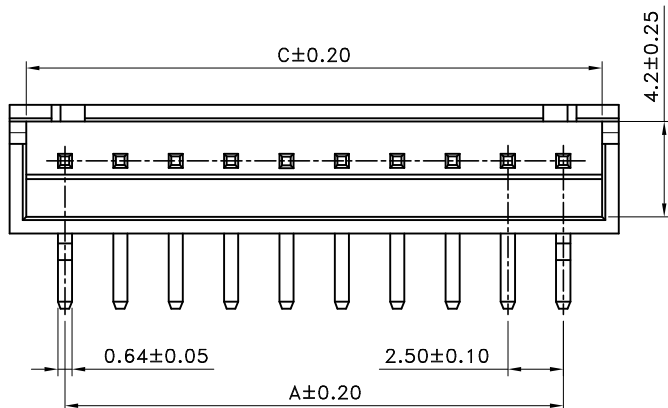
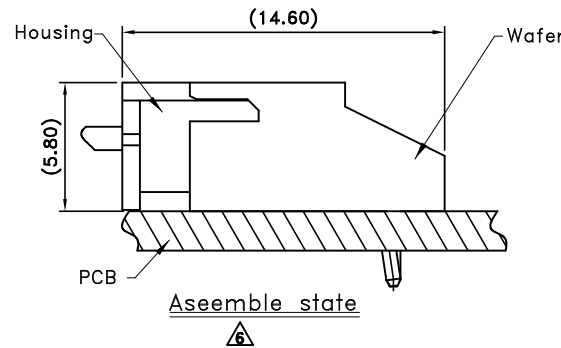
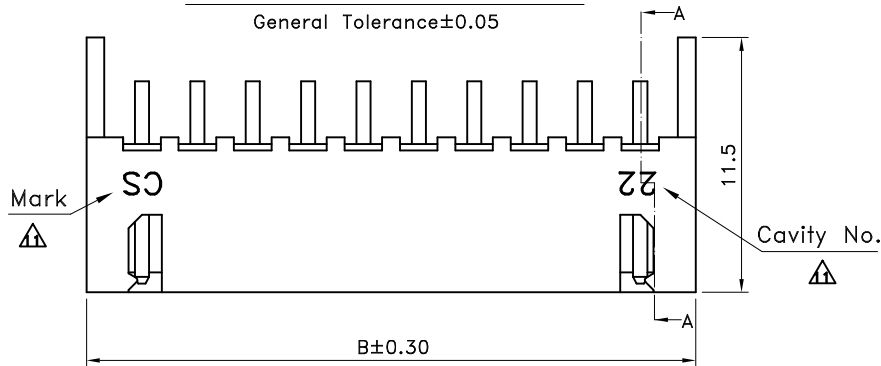
PART NO JS-1001-XXXX(XXXXXX)XX
2.50mm Disconnectable crimp style Wafer(Straight)

CUSTOMER
Conforms to The RoHS Instruction



Recommended PCB Layout(Top View)

Poles	Dimension(mm)			Poles	Dimension(mm)		
	A	B	C		A	B	C
2	2.50	7.50	6.00	12	27.50	32.50	31.00
3	5.00	10.00	8.50	13	30.00	35.00	33.50
4	7.50	12.50	11.00	14	32.50	37.50	36.00
5	10.00	15.00	13.50	15	35.00	40.00	38.50
6	12.50	17.50	16.00	16	37.50	42.50	41.00
7	15.00	20.00	18.50	17	40.00	45.00	43.50
8	17.50	22.50	21.00	18	42.50	47.50	46.00
9	20.00	25.00	23.50	19	45.00	50.00	48.50
10	22.50	27.50	26.00	20	47.50	52.50	51.00
11	25.00	30.00	28.50				



1/2 SPECIFICATIONS

- Rated Voltage : 250 V AC/DC Δ
- Current Rating : 3A AC/DC.
- Withstanding Voltage : 1,000V AC/minute
- Insulation Resistance : 1,000M Ω min.
- Temperature Range : - 25°C to + 85°C
- Contact resistance : 20m Ω max.

■ WAFER Δ

- Part No. : JS-1001R-XX(XXX XX X X)X

- ① Poles No. : 2~20 (Right Angle)
- ② Plated : Blank : Bright-Tin Plated
NM : Matte-Tin Plated Δ
G : Gold Over Plated
G1 : 30u" Gold Plated
- ③ Base Material : Blank : Nylon 66 UL94V-0 Δ
GF : Nylon 66+15% G.F
6TNH : Nylon 6T UL94V-0 Δ
- ④ Kink Type Blank : Without Kink
K : With Kink
- ⑤ DIP Length Blank : 3.4mm
D : 2.7mm
D2: 2.1mm(Without Kink) Δ
- ⑥ Color : Blank : Nature
R : Red(199C#) Δ
R1 : Red(198C#) Δ
BK : BLACK Δ
BU : BLUE Δ
Y : YELLOW Δ
GN : GREEN Δ

- Material : 1. Contact : Brass
2. Base : Refer the above options

- Package: Bag



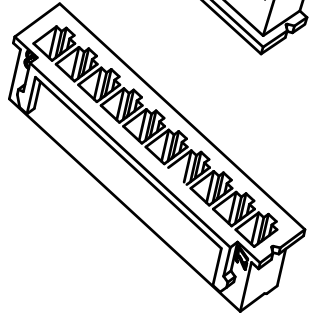
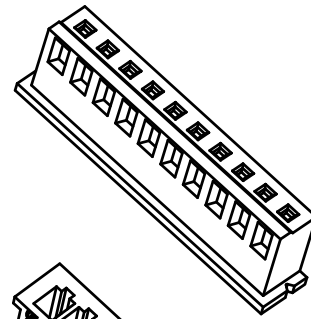
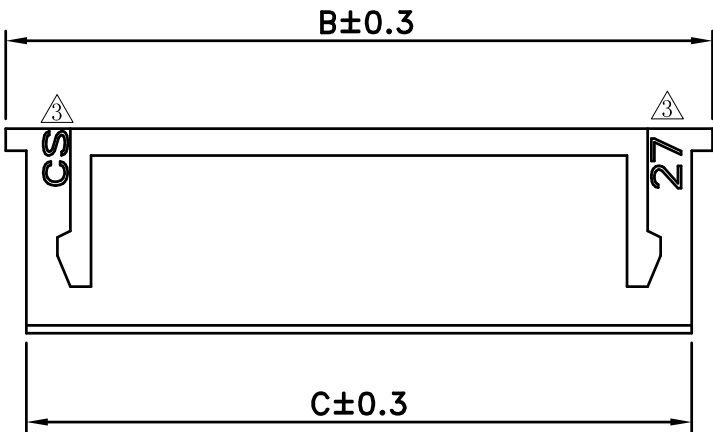
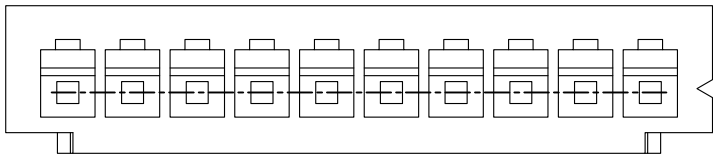
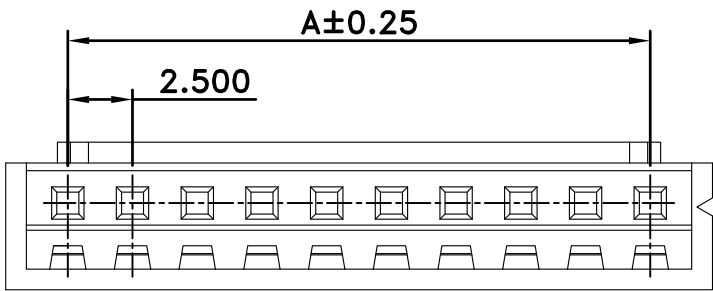
喬訊電子工業股份有限公司

CHYAO SHIUNN
ELECTRONIC INDUSTRIAL LTD.

APPROVED BY	SCALE	UNIT	TOLERANCE	LTR	REVISION RECORD	NAME	DATE	LTR	REVISION RECORD	NAME	DATE
Tom Shih		mm	.0	± 0.30	JS-1001R全系列合標圖面	劉怡萱	2011/02/14	Δ	增加6TNH規格選項	謝君	2020/12/03
CHECKED BY	PROJ	VER NO.	.00	± 0.20	增加PA46選項,增加額定電壓	吳弘文	2011/11/05	Δ	增加綠色規格選項	謝君	2021/06/25
Tom Shih		a15	.000	± 0.10	新增產品規格	周美麗	2012/12/26	Δ	增加dip=2.1mm選項	Erin	2023/03/30
DRAWN BY	DATE	SIZE	ANGLE		新增產品 BK, BU, Y 顏色規格	周家慶	2017/04/20	CUSTOMER			
Erin	2023/03/30	A4	0°	$\pm 1°$	霧錫NMD選項改為NM	曾慶根	2018/11/13				
			.0°	\pm	圖面新增CS logo及模號標示	Eddie	2019/11/26				
			SHEET	1/1	依實物圖面增加倒角	曾慶根	2020/01/07	Conforms to The RoHS Instruction			

PART NO JS-1001R-XX(XXXXXXX)X

2.50mm DIP series wire to board connector(Right Angle)



■ SPECIFICATIONS

- Voltage Rating : 250V AC/DC ⚠
- Current Rating : 3A AC/DC
- Withstanding Voltage : 1,000V AC/minute
- Insulation Resistance : 1,000MΩ min
- Temperature Range : - 25°C to + 85°C
- Contact Resistance : 20mΩ max.

■ HOUSING

- Part No. : JS-2001-XX (XX) XX

① Poles : 2-20 ① ② ③

② Material :

Blank: Nylon 66 UL94V-0

GW: Nylon 66 UL94V-0(Glow Wire) ⚠

③ Color : Blank : Nature

BU : Blue(660C)

R : Red(199C)

Y : Yellow(122C)

BK: Black ⚠

Poles	Dimensions (mm)		
	A	B	C
2	2.50	7.30	5.70
3	5.00	9.80	8.20
4	7.50	12.30	10.70
5	10.00	14.80	13.20
6	12.50	17.30	15.70
7	15.00	19.80	18.20
8	17.50	22.30	20.70
9	20.00	24.80	23.20
10	22.50	27.30	25.70
11	25.00	29.80	28.20
12	27.50	32.30	30.70
13	30.00	34.80	33.20
14	32.50	37.30	35.70
15	35.00	39.80	38.20
16	37.50	42.30	40.70
17	40.00	44.80	43.20
18	42.50	47.30	45.70
19	45.00	49.80	48.20
20	47.50	52.30	50.70



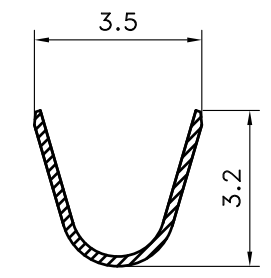
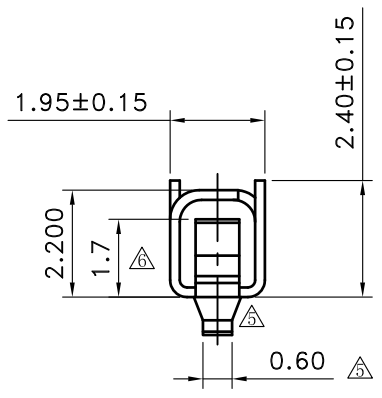
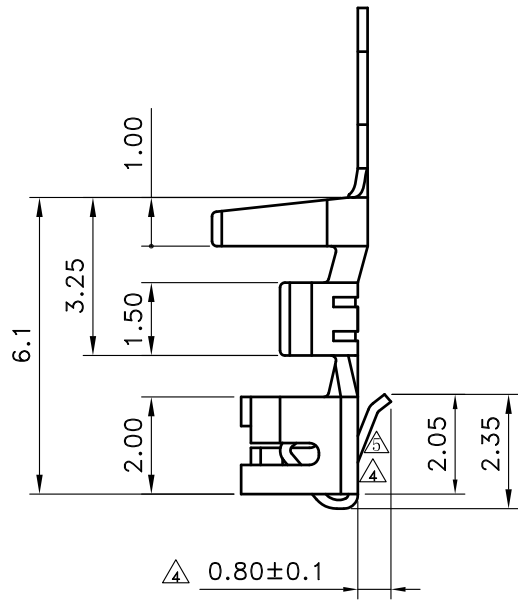
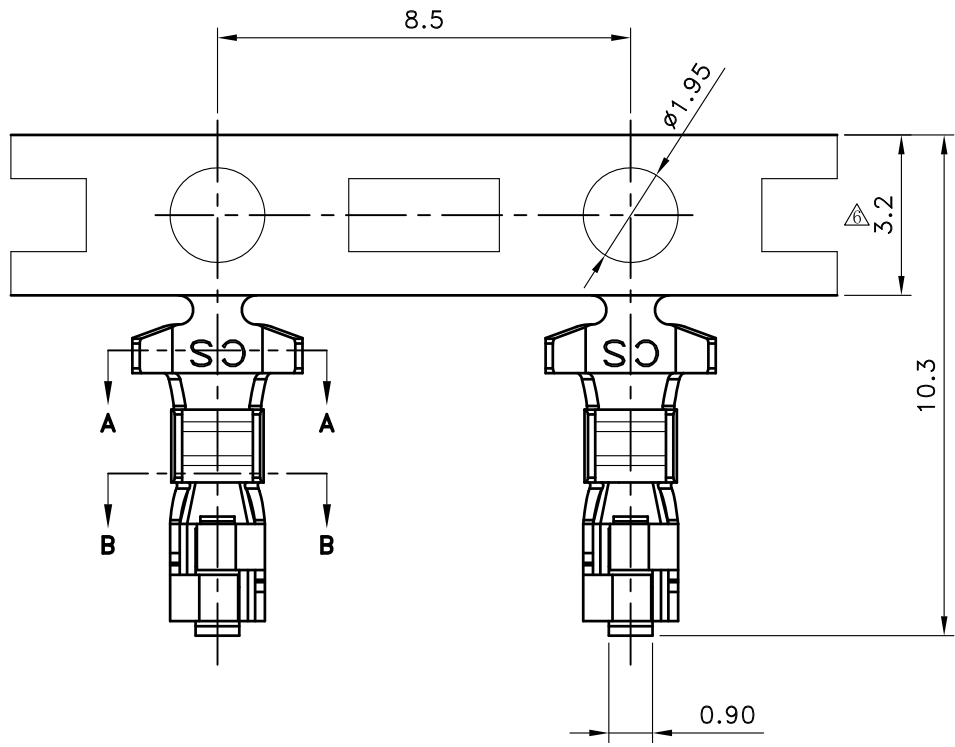
喬訊電子工業股份有限公司

CHYAO SHIUNN
ELECTRONIC INDUSTRIAL LTD.

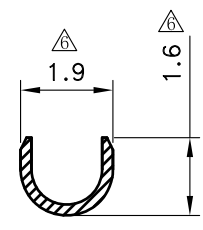
PART NO JS-2001-XXXX

2.50mm Crimp Style Connectors Housing

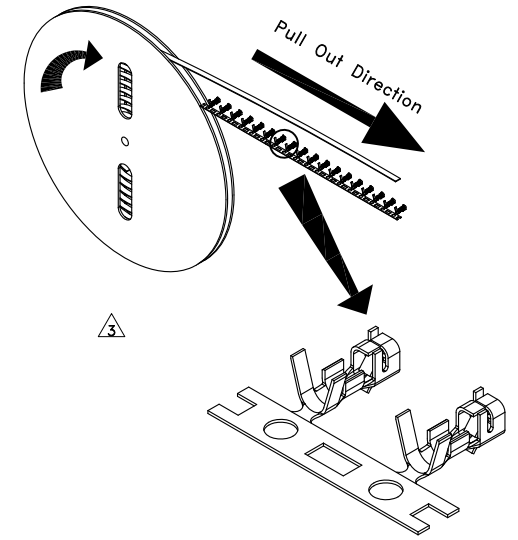
APPROVED BY	SCALE	UNIT	TOLERANCE	LTR	REVISION RECORD	NAME	DATE	LTR	REVISION RECORD	NAME	DATE
張育瑞		mm	.0 ±0.30	⚠	XXX	XXX	XXXX/XX/XX	⚠	增加GW3材料選項	曾慶根	2017/05/05
CHECKED BY	PROJ	VER NO.	.00 ±0.20	⚠	增加3D視圖	Jack	2011/08/17	⚠	修改GW材料選項	劉娜	2022/10/31
劉娜	⊕	a9	.000 ±0.10	⚠	增加CS和模號標示	Jack	2012/04/10	⚠			
DRAWN BY	DATE	SIZE	ANGLE		變更材質說明	Jack	2012/04/26	CUSTOMER			
劉娜	2022/10/31	A4	0° ±1°	⚠	Add the red type product	Jack	2012/07/13				
			0° ±	⚠	依規格書修正額定電壓	吳弘文	2013/06/21	Conforms to The RoHS Instruction			
			SHEET	1/1	變更材質說明	藍美娜	2016/05/13				



SECTION A-A



SECTION B-B



- SPECIFICATIONS
- Current Rating : 3A AC/DC
 - Withstanding Voltage : 1,000V AC/minute
 - Insulation Resistance : 1,000MΩ min
 - Temperature Range : - 25°C to + 85°C
 - Contact Resistance : 20mΩ max

- Feature:
- Part No. : JS-2001-TXX ^① △

- ① T:Standard Plated Process (Material :Phos. Bronze)
 TB:Standard Plated Process (Material :Brass)
 TP1:Stamping Befor Plated (Material :Phos. Bronze) △
 TBP:Stamping Befor Plated △ (Material :Brass)

- Applicable Wires : AWG# 22 - 28
- Finish : Tin Plated
- Thickness : 0.2mm
- Q' ty : 8,000 pcs./Reel

 喬訊電子工業股份有限公司
CHYAO SHIUNN ELECTRONIC INDUSTRIAL LTD.

APPROVED BY	SCALE	UNIT	TOLERANCE	LTR	REVISION RECORD	NAME	DATE	LTR	REVISION RECORD	NAME	DATE
Tom Shih	N/A	mm	.0 ±0.3	△	尺寸修正	龔志紅	05/05/13	△	新增生產料號JS-2001-TP1	劉娜	20/03/25
CHECKED BY	PROJ	VER NO.	.00 ±0.2	△	結構修改	余秀麗	05/10/15	△	還原TBP選項	曾慶根	2020/05/07
張育瑞	⊕	a9	.000 ±0.1	△	料號修改及加入3D圖檔	王誠賢	10/09/01	△			

PART NO JS-2001-TXX △

DRAWN BY	DATE	SIZE	ANGLE	LTR	REVISION RECORD	NAME	DATE	CUSTOMER	
曾慶根	2020/05/07	A4	0° ±1°	△	變更卡勾結構及尺寸	朱佑武	11/03/21		
			0° ±	△	尺寸變更	朱佑武	12/07/02		
			.0°	△	取消舊模生產料號JS-2001-TP	劉鐵軍	13/10/29		

2.50mm Wire to Board Connector, Terminal

SHEET	1/1	LTR	△	REVISION RECORD	NAME	DATE	Conforms to The RoHS Instruction	
				取消舊模生產料號JS-2001-TP	劉娜	18/01/27		