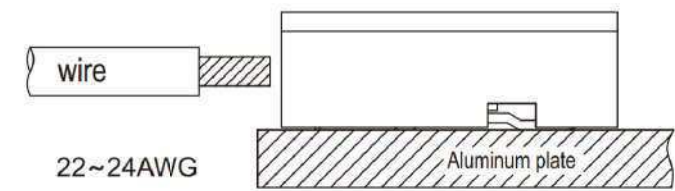
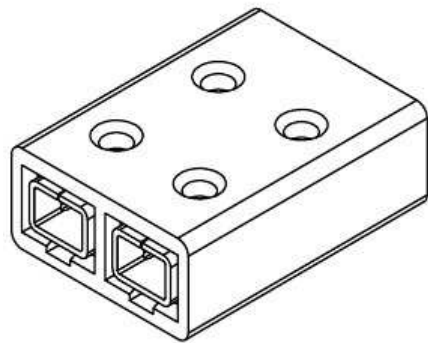
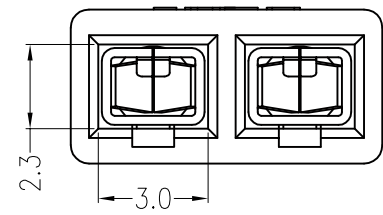
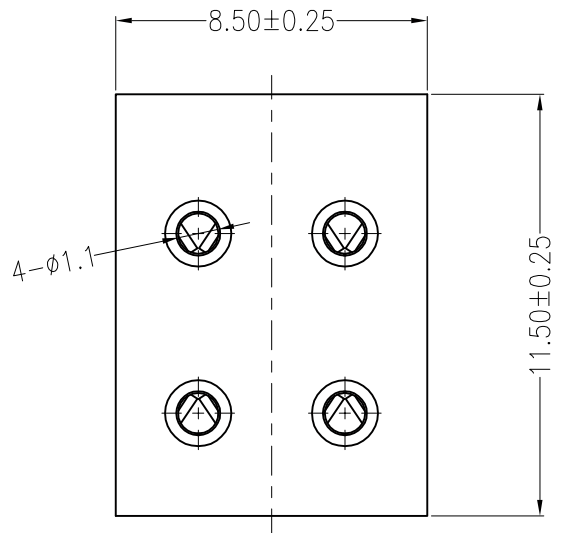
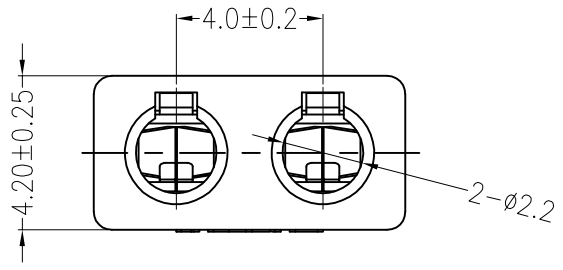


REV	DESCRIPTION	DESIGN	DATE
A0	Release	-	-



主要技术参数 Main Specifications

- 线 数 (Poles): 01~03
- 适用线规 (Applicable Wire): 24~22#
- 接触电阻 (Contact resistance): $\leq 20m\Omega$
- 绝缘电阻 (Insulation resistance): $\geq 1000M\Omega$
- 额定电压 (Rated voltage): 275V AC DC
- 额定电流 (Rated current): 1A AC DC
- 耐 电 压 (Withstand Voltage): 1000V AC/minute
- 温度范围 (Temperature Range): $-40^{\circ}C \sim +110^{\circ}C$



C				
B	CONTACT	2 PCS	PhosphorBronze	Sn-plated
A	PEDESTAL	1 PCS	PA46	UL 94V-0, COLOR:BEIGE
ITEM	COMPONENT	Q'TY	MATERIAL	FINISH
LEDsconn				TITLE: - 4.0mmPITCH
X.±0.5	X.±5'	USE: CUSTOMER		PART NO.:
.X±0.3	.X±2'	APPD: 谭龙清		
.XX±0.25	.XX±1'	CHKD: 田 峰		DWG NO.:
--	--	DR: 蒋建银		SCALE 1 : 1
	UNITS: mm			SHEET 1 / 1