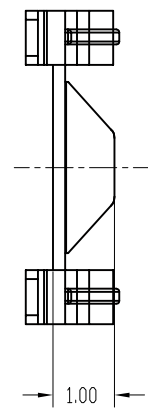
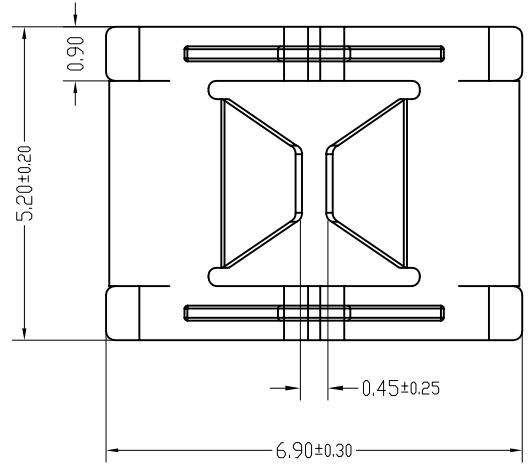
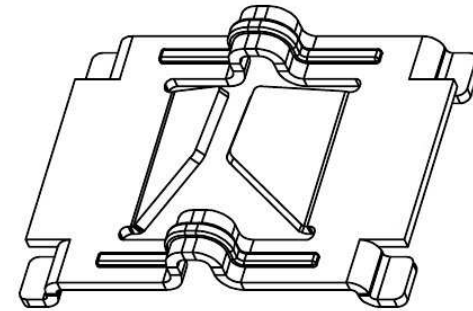
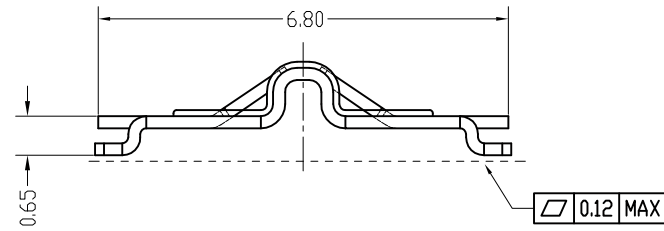


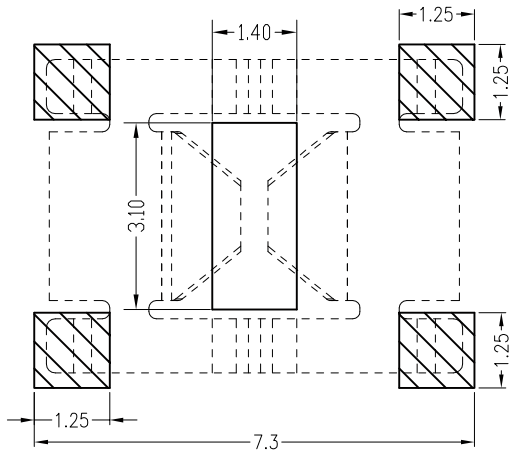
A B C D

REV	ECN No.	DESCRIPTION	DESIGN	DATE
A0		Release		2017.06.14



主要技术参数 Main Specifications

板 厚 (thickness): 1.0mm
 接触电阻 (Contact resistance): $\leq 20m\Omega$
 额定电压 (Rated voltage): 250 V AC DC
 额定电流 (Rated current): 1.0A AC
 温度范围 (Temperature Range) : -45°C ~ +125°C



Board Layout

A B C D

C				
B				
A	CONTACT	1 PCS	PhosphorBronze	MATTE Sn-plated
ITEM	COMPONENT	Q'TY	MATERIAL	FINISH
LEDsconn				TITLE:
X.±0.5	X.±5'	USE: CUSTOMER		PART NO.:
.X±0.3	.X±2'	APPD:		DWG NO.:
.XX±0.25	.XX±1'	CHKD:		
--	--	DR:		SCALE 1 : 1
UNITS: mm				SHEET 1 / 1

D E F