

GABRIELLA-MIDI-S

~10° spot beam with holder and installation tape

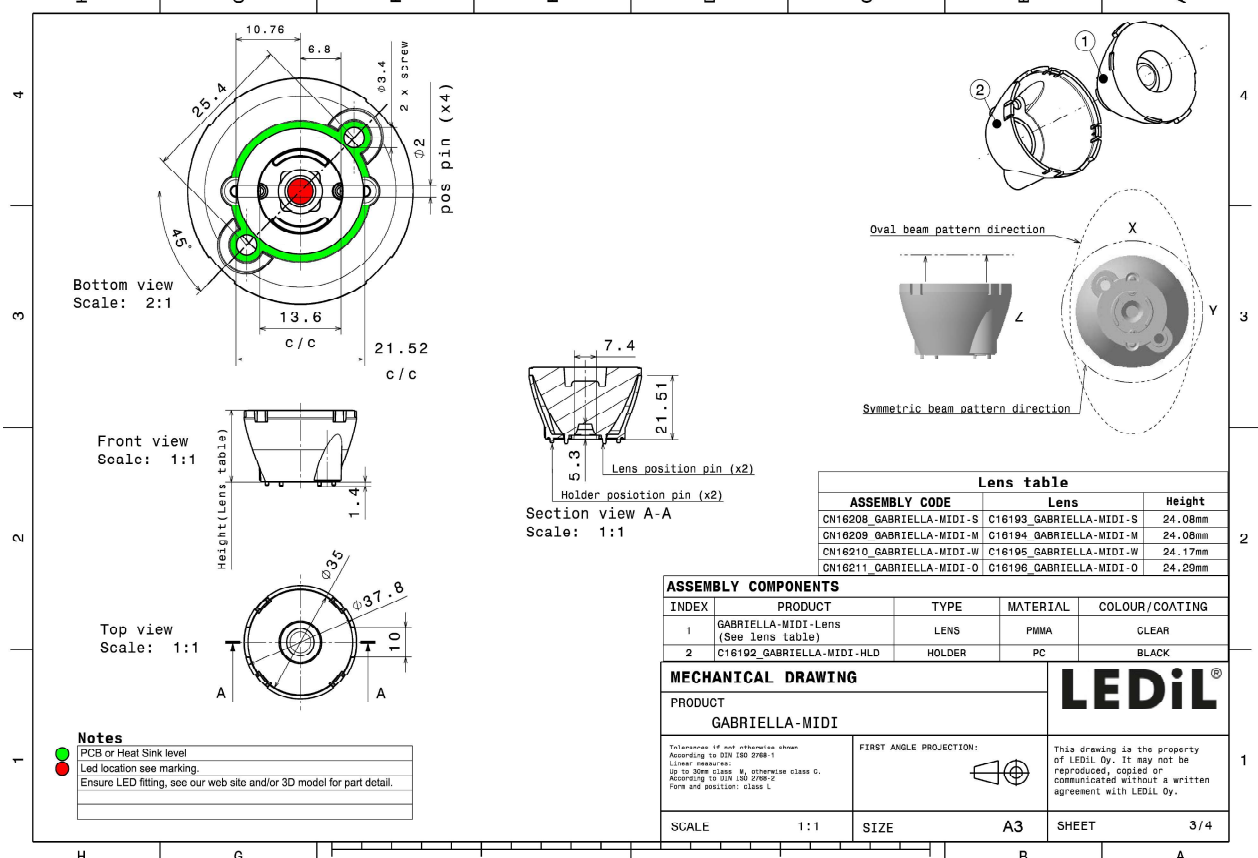
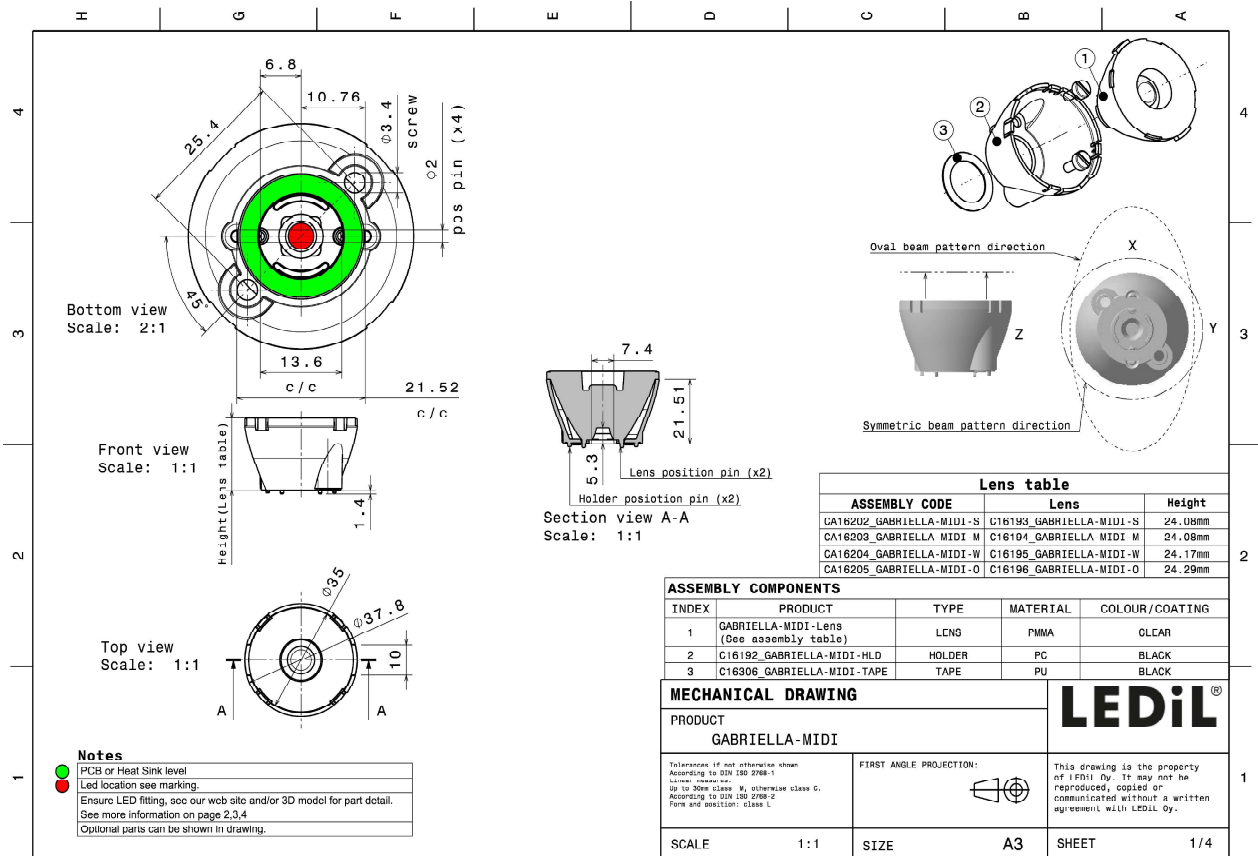
TECHNICAL SPECIFICATIONS:

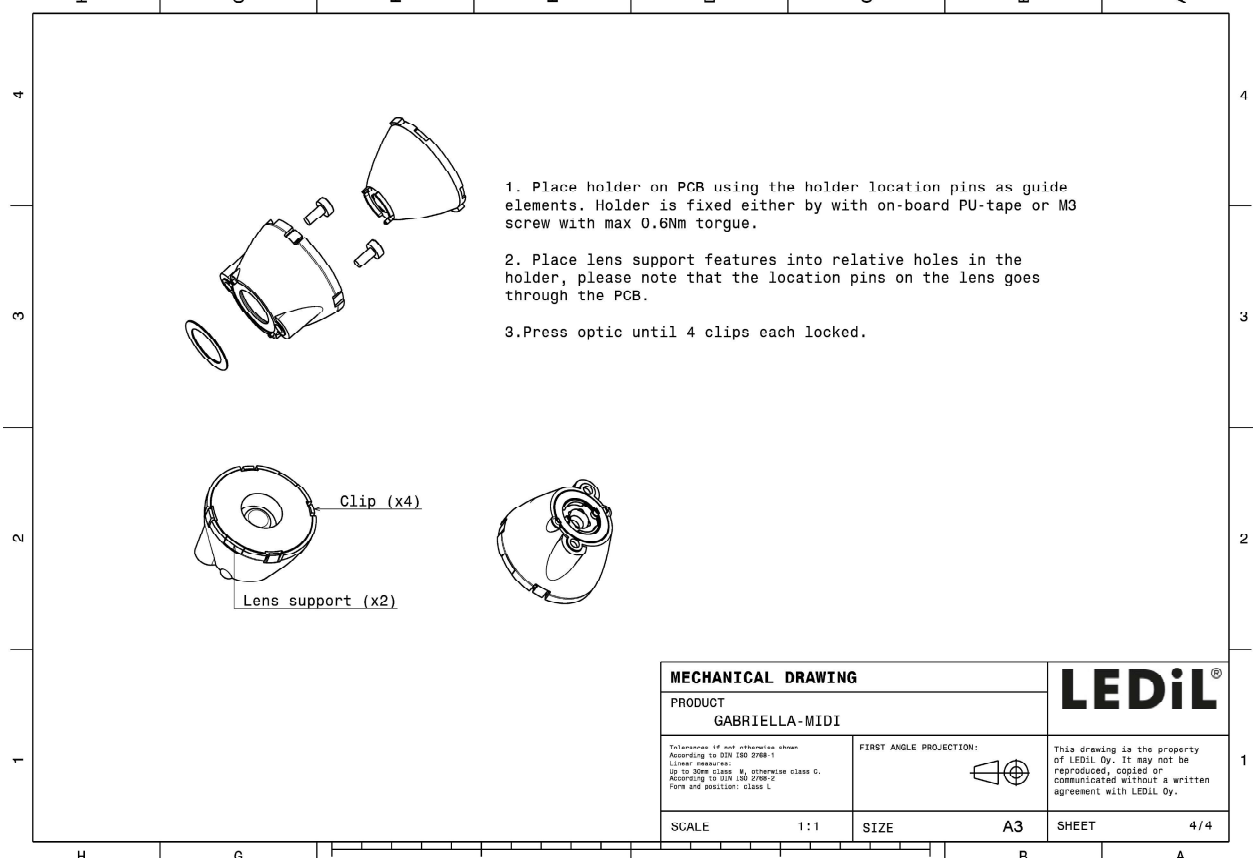
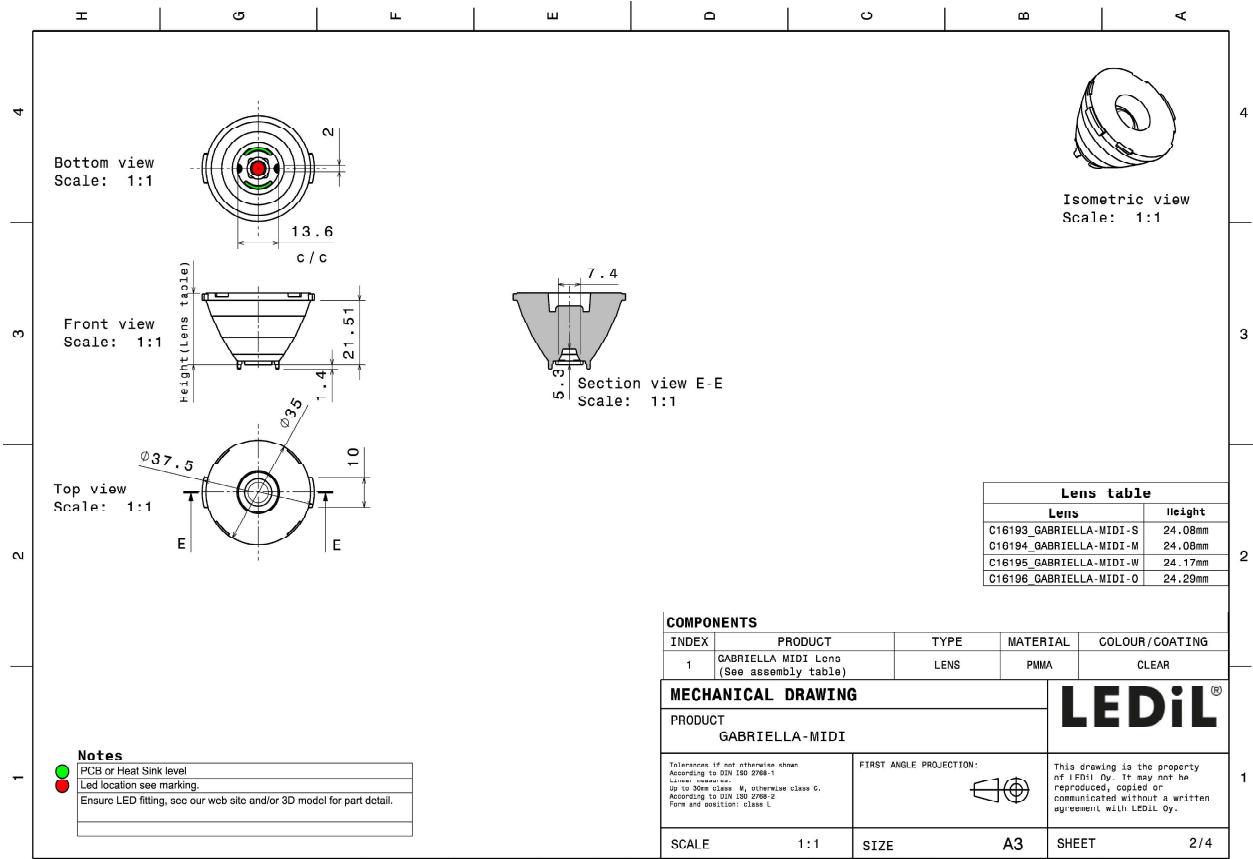
Dimensions	Ø 37.8 mm
Height	24.1 mm
Fastening	tape, pin
Colour	black
Box size	476 x 273 x 292 mm
Box weight	11.7 kg
Quantity in Box	500 pcs
ROHS compliant	yes ⓘ



MATERIAL SPECIFICATIONS:

Component	Type	Material	Colour
GABRIELLA-MIDI-S	Single lens	PMMA	clear
GABRIELLA-MIDI-HLD	Holder	PC	black
GABRIELLA-MIDI-TAPE	Tape	PU tape	black

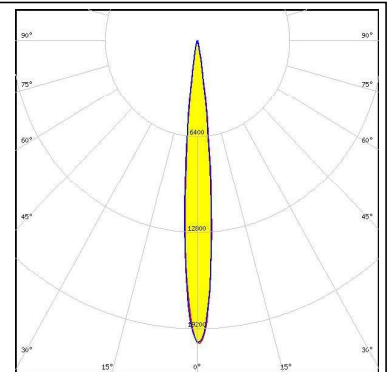




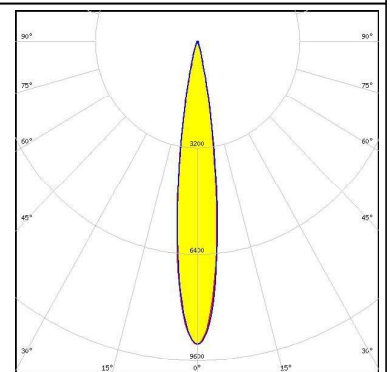
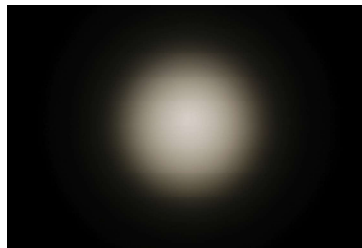
PHOTOMETRIC DATA (MEASURED):



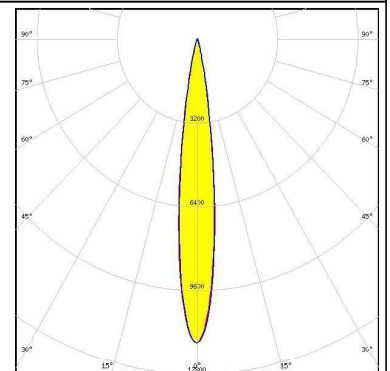
LED XHP35 HI
 FWHM 10.0°
 Efficiency 90 %
 Peak intensity 20.350 cd/lm
 LEDs/each optic 1
 Light colour White
 Required components:



LED XHP50.2
 FWHM 15.0°
 Efficiency 87 %
 Peak intensity 9.120 cd/lm
 LEDs/each optic 1
 Light colour White
 Required components:



LED LUXEON 5050 Round LES
 FWHM 14.0°
 Efficiency 91 %
 Peak intensity 12.600 cd/lm
 LEDs/each optic 1
 Light colour White
 Required components:



LED LUXEON C
 FWHM 17.0°
 Efficiency 85 %
 Peak intensity 8.200 cd/lm
 LEDs/each optic 1
 Light colour RGBW
 Required components:

