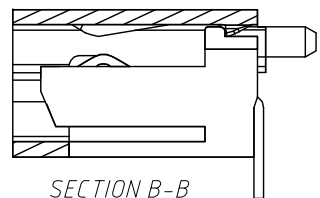
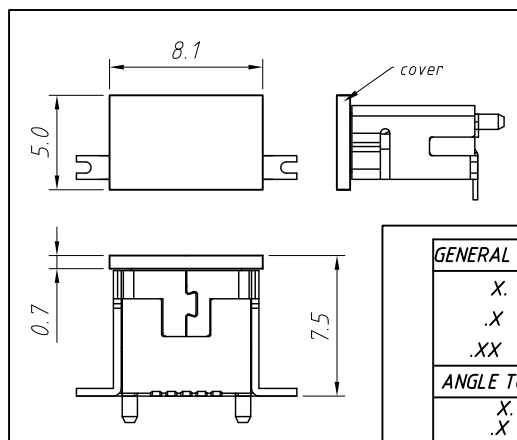
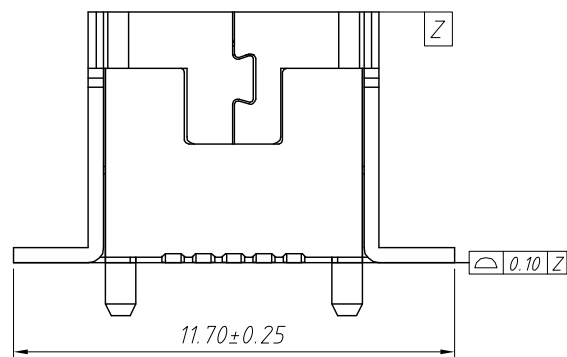
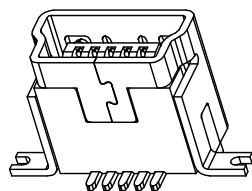
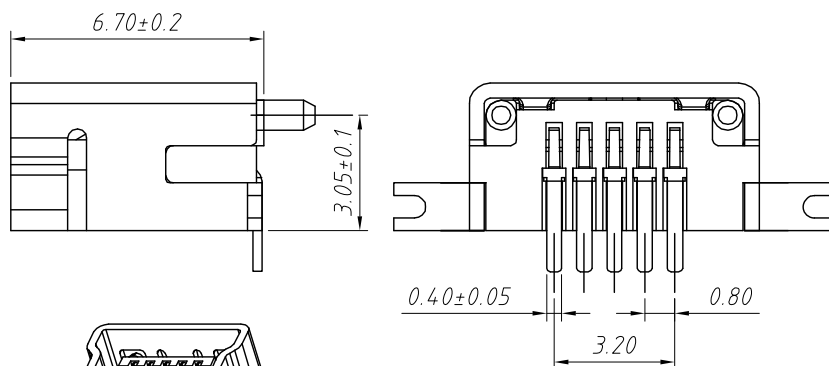
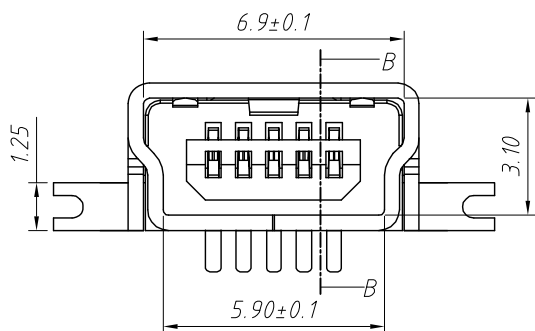


RECOMMENDED PCB LAYOUT



SECTION B-B

Material
 Housing:LCP UL 94 V-0,Black.
 Contact:Copper Alloy.
 Shell:Copper Alloy.

Finish:
 Contact:Gold Plating On Contact Area.
 80u" SN Plating On Solder Tail Area,
 50u" Min,Nickel Underplating Overall.

Electrical:
 Voltage Rating:30VAC RMS
 Current Rating:2.0A(pin 1 5);1.0A(pin 2 3 4).
 Contact Resistance:50mΩ Max.
 Insulation Resistance:100MΩ Min.
 Dielectric Withstanding Voltage:
 500 V AC For 1Minute.
 Operating Life:5000 Cycles.
 Operating temperature:-20 °C to +85 °C

GENERAL TOLERANCE	PROJECTION		Description:
X. ±0.30	UNITS	mm	Mini USB Connector 5Pin, B/F SMT 180°
.X ±0.25	SCALE	1:1	
.XX ±0.20	Draw by:	Jenny	
ANGLE TOLERANCE	Check by:		Conntherm
X. ±3°	Date	2018-03-01	
.X ±2°	SHEET	1 OF 1	
.XX ±1°			