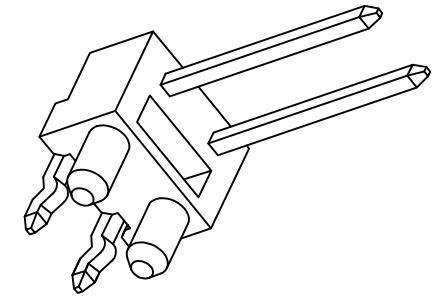
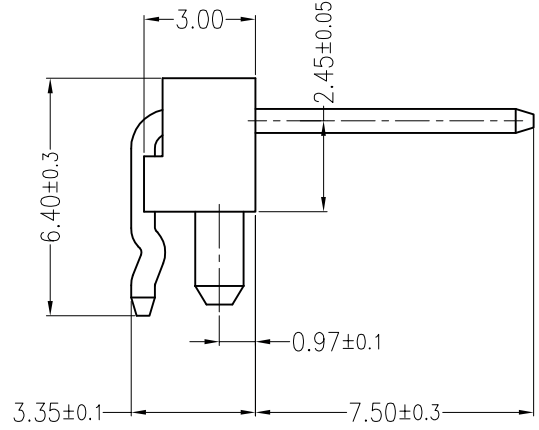
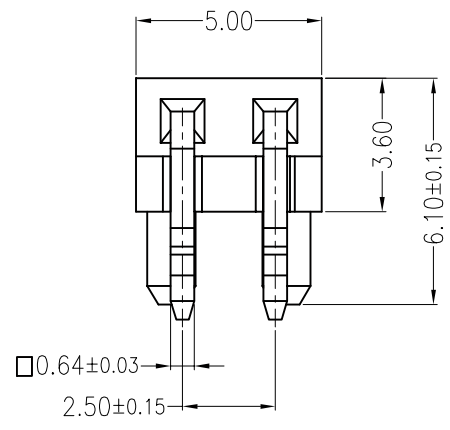
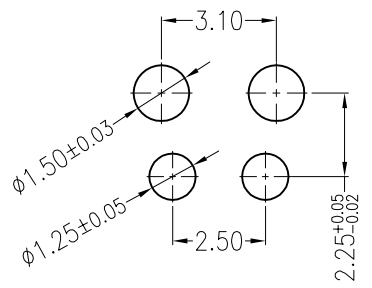
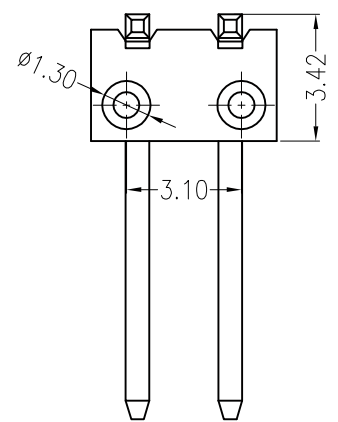


REV	ECN No.	DESCRIPTION	DESIGN	DATE
A0		Release		2016.05.03
A/1				2016.07.25



Main Specifications
 Contact resistance: $\leq 20\text{mOhm}$
 Insulation resistance: $\geq 1000\text{MOhm}$
 Rated voltage: 125V AC DC
 Rated current: 1.0A AC DC
 Withstand voltage: 1000V AC/minute
 Temperature Range: $-40^{\circ}\text{C} \text{ -- } +130^{\circ}\text{C}$



Board Layout
 General Tolerance: ± 0.05



C				
B	CONTACT	2 PCS	Brass	MATTE Sn-plated
A	PEDESTAL	1 PCS	LCP	UL 94V-0, COLOR:BEIGE
ITEM	COMPONENT	Q'TY	MATERIAL	FINISH
LEDsconn				TITLE: - 2.5mmPITCH 90°WAFER SMT TYPE
X.±0.5	X.±5'	USE:	PART NO.:	
.X±0.3	.X±2'	CUSTOMER		
.XX±0.25	.XX±1'	APPD:	DWG NO.:	
--	--	CHKD:		
		DR:	SCALE	SHEET
	UNITS: mm		1 : 1	1 / 1