

A

B

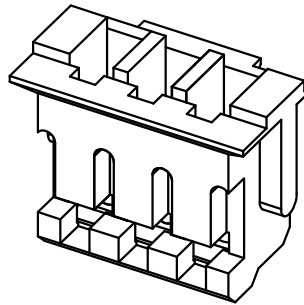
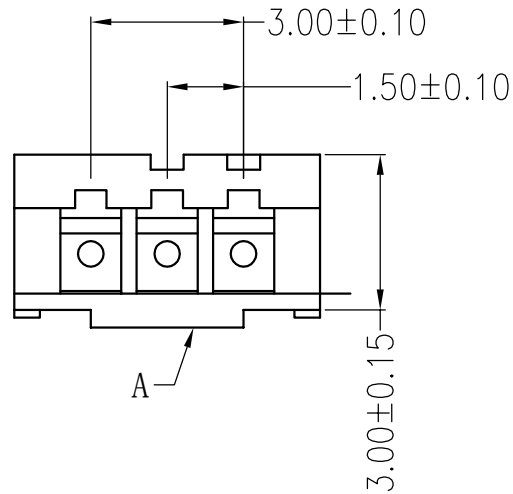
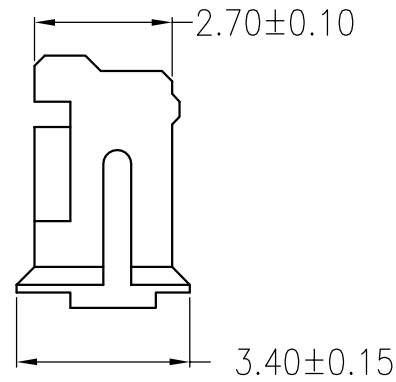
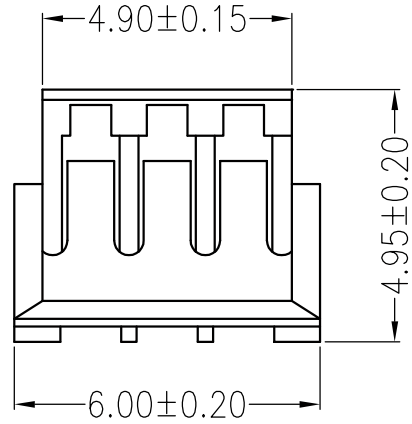
C

D

E

F

REV	ECN No.	DESCRIPTION	DESIGN	DATE
A0		Release	吴丹平	2016.09.23



主要技术参数 Main Specifications

线 数 (Poles): 02 to 16
 接触电阻 (Contact resistance): $\leq 20\text{m}\Omega$
 绝缘电阻 (Insulation resistance): $\geq 500\text{M}\Omega$
 额定电压 (Rated voltage): 125V AC DC
 额定电流 (Rated current): 1.0A AC DC
 耐 电压 (Withstand Voltage): 500V AC/minute
 温度范围 (Temperature Range) : $-25^{\circ}\text{C} \sim +85^{\circ}\text{C}$



C					
B					
A	PEDESTAL		1 PCS	PA66	COLOR:WHITE
ITEM	COMPONENT		Q'TY	MATERIAL	FINISH
LEDscconn					TITLE: 1.5mmPITCH Housing
X.±0.5	X.±5'	USE: CUSTOMER		PART NO.:	
.X±0.3	.X±2'	APPD:		DWG NO.:	
.XX±0.25	.XX±1'	CHKD:		SCALE	
--	--	DR:		1 : 1	SHEET
⊕	⚡	UNITS: mm			1 / 1

A

B

C

D

E

F

1

2

3

4

5

1

2

3

4

5