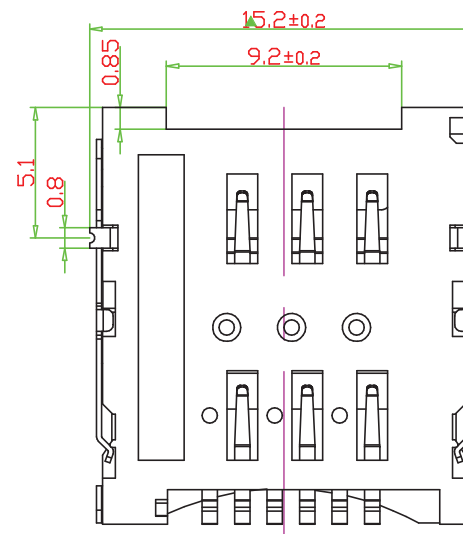
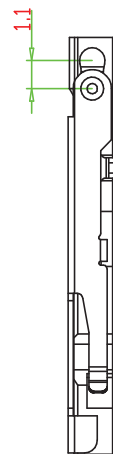
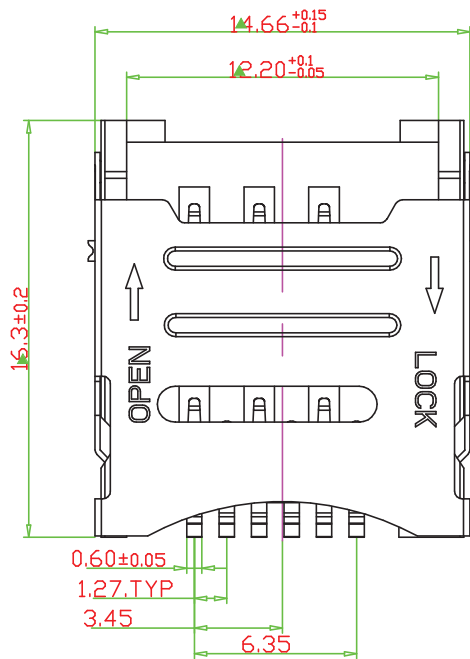
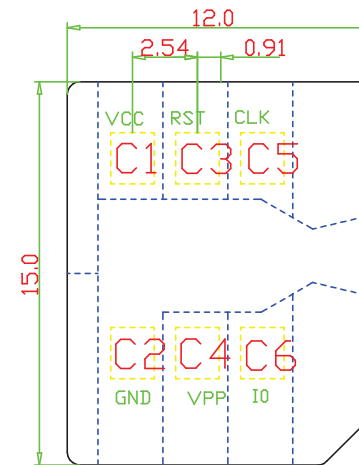
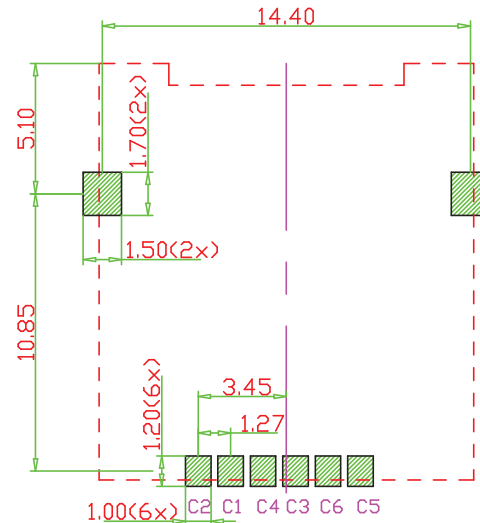
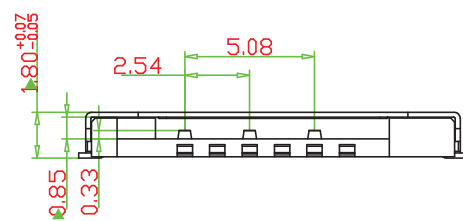


REV.	ECN.ND.	MODIFY.CONTENT	DATE
A		NEW	2015/04/20



?????????
 1????LCP?UL 94 V - 0,??
 ???????C5210-H?T=0.15?????
 ????????? SUS304 T=0.2
 ???????
 ??????100m? Max
 ??????1000M? Min<500DC>
 ???????????1A Max
 ??????30V Max<DC>
 ? ??500V r.m.s/min
 ?????-40?~85?
 ? ??: 90%?95%
 ? ???>3000?



PCB LAYOUT

MICRO SIM

PIN NO.	NAME	PIN NO.	NAME
C1	VCC	C4	VPP
C2	GND	C5	CLK
C3	RST	C6	I0

GENERAL TOLERANCE	DWG NO.	A1205-001	APPD:	WIND	Scale	1:1
X.±0.45	x.*±5°	Title	MICRO SIM CARD A TYPE	CHKD:	UNIT	mm
.X±0.35	.x.*±2°		DR:	Date	2015/04/20	
.XX±0.25	.xx.*±1°	Part NO.	WL-SIM180-043			
.XXX±0.15	.xxx.*±0.5°	深圳市微连电子有限公司 Shenzhen Welink Electronics Co.,Ltd				
SHEET	1/1					