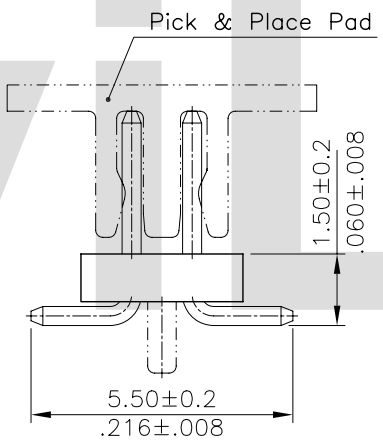


Recommended P.C. Boarded Layout



Material:

- * Insulator: LCP With 30% GF.
UL 94V-0 Color Black
- * Square Pin: Brass
- * Pegs: Brass , Tin plated
- * Pick & Place Pad:
Nylon 6T
UL 94V-0 Color Nature

Ordering Code:

CH51 10 * M 1 00 - P P
 ① ② ③ ④ ⑤ ⑥ ⑦ ⑧

- ① Series No.
- ② No. of Contact:
- ③ Plating code:
2=Gold Flash plated over
1.27μm(50μ") Nickel
3=0.38μm(15μ") Gold plated
over 1.27μm(50μ") Nickel
4=0.76μm(30μ") Gold plated
over 1.27μm(50μ") Nickel
- ④ Tail & Mounting Style:
M=Straight SMT Type
- ⑤ Insulator Material & Color:
1=LCP , Color Black
- ⑥ Option Code: Pin Length
- ⑦ P=With Peg
- ⑧ P=With Pick & Place Pad
(Tape & Reel packing)

RoHS Compliant

4						DATE	UNIT: mm / inch	TITLE: 1.27mm(.050") DUAL ROW SURFACE BOARD MOUNT PIN HEADER	瀚荃股份有限公司 CviLux Corporation
3						DRAWN BY: Sandy	TOLERANCE UNLESS OTHERWISE SPECIFIED	MATERIAL:	
2						ENGINEER: Eisley	.X ± 0.25/.010 X' ± 1'	CUSTOMER: BV1073	DRAWING NO. CH5105SB PART NO. CH5110*M100-PP
1	Sandy	08/27/04		ECN04327		CHECKED BY: David	.XX ± 0.15/.006 .X' ±		SCALE 6 / 1 SHEET 1 OF 1
SYM	NAME	DATE	REVISIONS			APPROVED BY: Alex	.XXX ± 0.08/.003 .XX' ±		

CIVILUX CORP.
 2004.08.31
 ISSUED