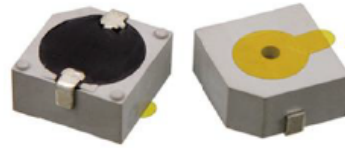
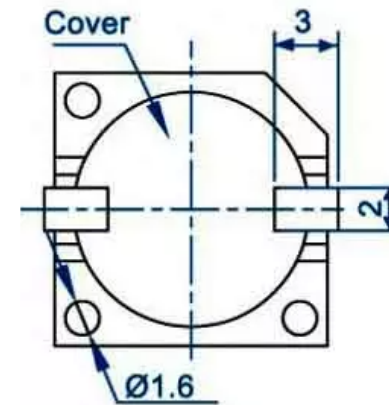
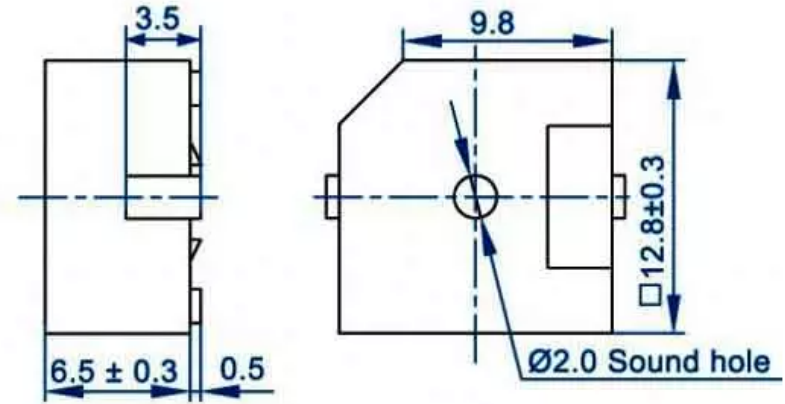
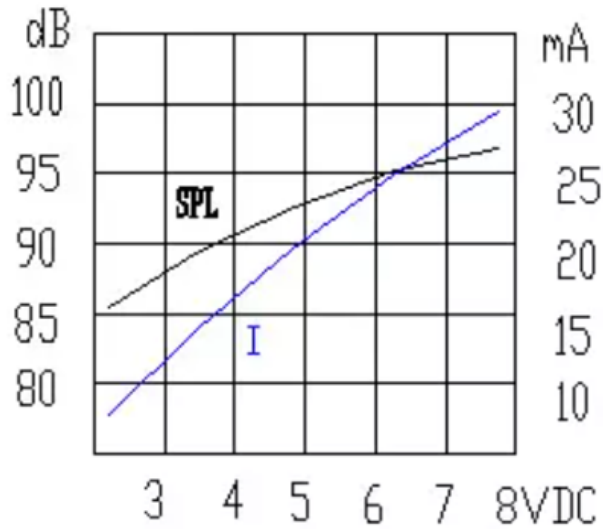


SPECIFICATION		
1	Model No.	BUZ-EEB1370ES-05S-2.3-R
2	Rated Voltage (V)	5
3	Operating Voltage (VDC)	3~8
4	*Resonant Frequency (KHz)	2.3±0.3
5	*Sound Output at 10cm (dB)	≥88
6	*Current Consumption (mA)	≤30
7	Operating Temperature (°C)	-20~+70
8	Storage Temperature (°C)	-30~+80
9	Weight (g)	1
10	Housing Material	LCP
11	Rohs	Yes



REVISION HISTORY			
LTR	DESCRIPTION	DATE	APPROVED
-	RELEASED FROM ENGINEERING	9/23/2003	
A			
C			
B			



NOTES:

1. ALL DIMENSIONS ARE IN MILLIMETERS
2. SPECIFICATIONS SUBJECT TO CHANGE WITHOUT NOTICE