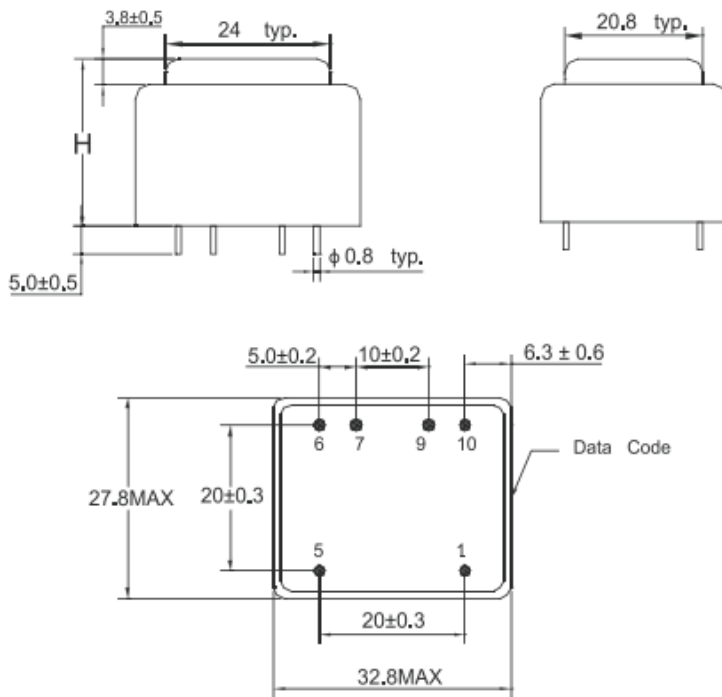


EI SERIES

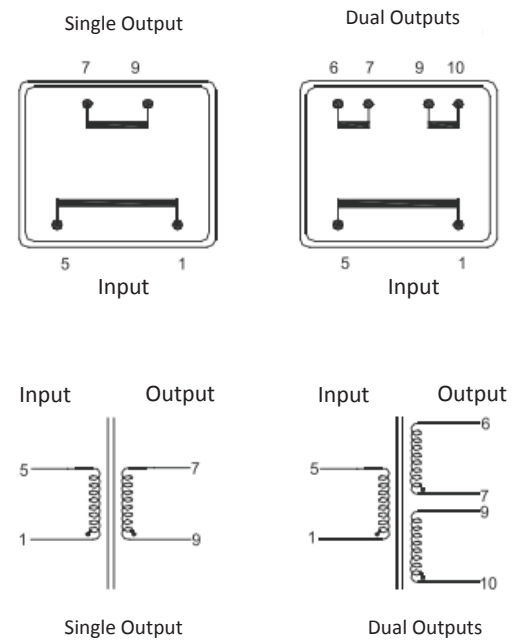
- Power from 0.6 VA to 60 VA.
- Temperature Class: Class B (130°C)
- Ambient Temperature (ta): 40°C and 70 °C
- Material Flammability Classification UL94V-0
- Dielectric Strength 4000Vrms
- Operating Frequency 50/60 Hz
- Inherently Short-circuit Proof
- Resins Class B IEC 85 (20.000h testing to IEC 216)
- Conforms to EN61558
- 100% Tested Production

EI 30 SERIES

OUTLINE DIMENSIONS



ELECTRICAL SCHEMATIC

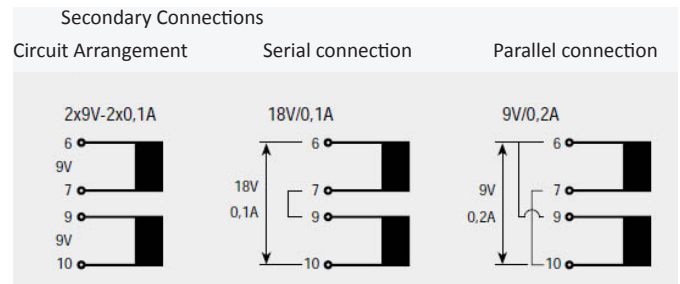
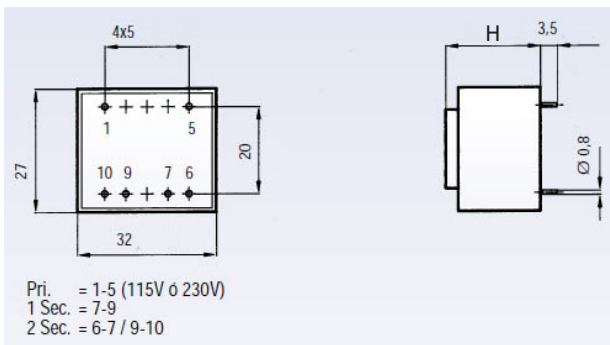


EI 30/5 Power 0.6VA

Reference		Primary Voltage 115 V	Primary Voltage 230 V	Secondary Voltage (V)	Secondary Current (A)	No-load Voltage (V)	Ambient temperature (°C)	Dimension H max (mm)	Weight approx. (g)
7123000A	7122079A	6	0.100	10.5	ta 70/B	16	41.5		
7123001A	7122080A	7.5	0.080	13	ta 70/B	16	41.5		
7123002A	7122081A	9	0.067	15.5	ta 70/B	16	41.5		
7123003A	7122082A	12	0.050	20.5	ta 70/B	16	41.5		
7123004A	7122083A	15	0.040	25.4	ta 70/B	16	41.5		
7123005A	7122084A	18	0.033	30.4	ta 70/B	16	41.5		
7123006A	7122085A	24	0.025	40.4	ta 70/B	16	41.5		
7123007A	7122086A	2 x 6	2 x 0.050	2 x 10.5	ta 70/B	16	41.5		
7123008A	7122087A	2 x 7.5	2 x 0.040	2 x 13	ta 70/B	16	41.5		
7123009A	7122088A	2 x 9	2 x 0.033	2 x 15.5	ta 70/B	16	41.5		
7123010A	7122089A	2 x 12	2 x 0.025	2 x 20.5	ta 70/B	16	41.5		
7123011A	7122090A	2 x 15	2 x 0.020	2 x 25.0	ta 70/B	16	41.5		
7123012A	7122091A	2 x 18	2 x 0.017	2 x 30.4	ta 70/B	16	41.5		
7123013A	7122092A	2 x 24	2 x 0.012	2 x 40.4	ta 70/B	16	41.5		

EI 30/10.5 Power 1.0VA

Reference		Secondary Voltage (V)	Secondary Current (A)	No-load Voltage (V)	Ambient temperature (°C)	Dimension H max (mm)	Weight approx. (g)
Primary Voltage 115 V	Primary Voltage 230 V						
7125000	7125014	6	0.167	8.6	ta 70/B	22.3	71.5
7125001	7125015	7.5	0.133	10.8	ta 70/B	22.3	71.5
7125002	7125016	9	0.111	12.9	ta 70/B	22.3	71.5
7125003	7125017	12	0.083	17.2	ta 70/B	22.3	71.5
7125004	7125018	15	0.067	21.6	ta 70/B	22.3	71.5
7125005	7125019	18	0.056	25.9	ta 70/B	22.3	71.5
7125006	7125020	24	0.042	37.9	ta 70/B	22.3	71.5
7125007	7125021	2 x 6	2 x 0.083	2 x 8.6	ta 70/B	22.3	71.5
7125008	7125022	2 x 7.5	2 x 0.067	2 x 10.8	ta 70/B	22.3	71.5
7125009	7125023	2 x 9	2 x 0.056	2 x 12.9	ta 70/B	22.3	71.5
7125010	7125024	2 x 12	2 x 0.042	2 x 19	ta 70/B	22.3	71.5
7125011	7125025	2 x 15	2 x 0.033	2 x 23.6	ta 70/B	22.3	71.5
7125012	7125026	2 x 18	2 x 0.028	2 x 24.9	ta 70/B	22.3	71.5
7125013	7125027	2 x 24	2 x 0.021	2 x 37.9	ta 70/B	22.3	71.5

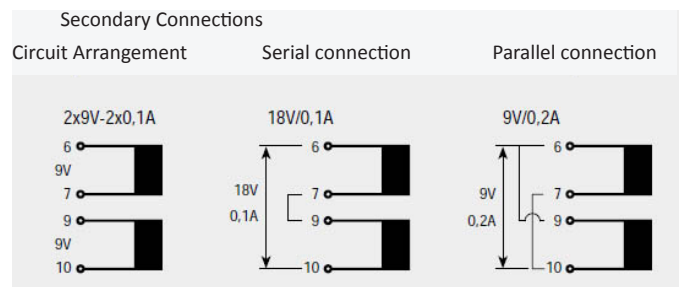
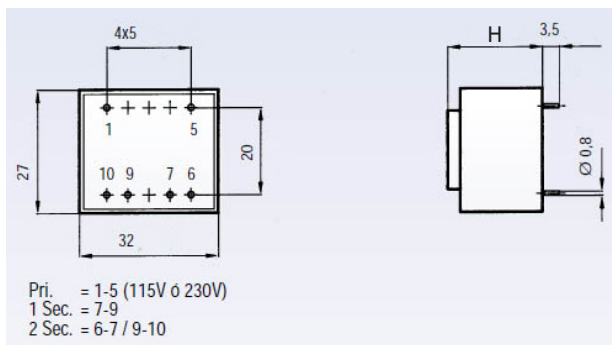


EI 30/10.5 Power 1.2VA

Reference		Secondary Voltage (V)	Secondary Current (A)	Ambient temperature (°C)	Dimension H max (mm)	Weight approx. (g)
Primary Voltage 115 V	Primary Voltage 230 V					
7123014	7122093	6	0.2	ta 70/B	22.3	71.5
7123015	7122094	7.5	0.16	ta 70/B	22.3	71.5
7123016	7122095	9	0.13	ta 70/B	22.3	71.5
7123017	7122096	12	0.1	ta 70/B	22.3	71.5
7123018	7122097	15	0.08	ta 70/B	22.3	71.5
7123019	7122098	18	0.066	ta 70/B	22.3	71.5
7123020	7122099	24	0.05	ta 70/B	22.3	71.5
7123021	7122100	2 x 6	2 x 0.1	ta 70/B	22.3	71.5
7123022	7122101	2 x 7.5	2 x 0.08	ta 70/B	22.3	71.5
7123023	7122102	2 x 9	2 x 0.066	ta 70/B	22.3	71.5
7123024	7122103	2 x 12	2 x 0.05	ta 70/B	22.3	71.5
7123025	7122104	2 x 15	2 x 0.04	ta 70/B	22.3	71.5
7123026*	7122105*	2 x 18	2 x 0.033	ta 70/B	22.3	71.5
7123027*	7122106*	2 x 24	2 x 0.025	ta 70/B	22.3	71.5

EI 30/10.5 Power 1.5VA

Reference		Secondary Voltage (V)	Secondary Current (A)	No-load Voltage (V)	Ambient temperature (°C)	Dimension H max (mm)	Weight approx. (g)
Primary Voltage 115 V	Primary Voltage 230 V						
7124056	7124070	6	0.250	10.1	ta 40/B	22.3	71.5
7124057	7124071	7.5	0.200	12.6	ta 40/B	22.3	71.5
7124058	7124072	9	0.167	15.3	ta 40/B	22.3	71.5
7124059	7124073	12	0.125	20.2	ta 40/B	22.3	71.5
7124060	7124074	15	0.100	25.3	ta 40/B	22.3	71.5
7124061	7124075	18	0.083	31.2	ta 40/B	22.3	71.5
7124062	7124076	24	0.063	43.3	ta 40/B	22.3	71.5
7124063	7124077	2 x 6	2 x 0.125	2 x 10.1	ta 40/B	22.3	71.5
7124064	7124078	2 x 7.5	2 x 0.100	2 x 12.6	ta 40/B	22.3	71.5
7124065	7124079	2 x 9	2 x 0.083	2 x 15.3	ta 40/B	22.3	71.5
7124066	7124080	2 x 12	2 x 0.063	2 x 20.2	ta 40/B	22.3	71.5
7124067	7124081	2 x 15	2 x 0.050	2 x 25.0	ta 40/B	22.3	71.5
7124068	7124082	2 x 18	2 x 0.042	2 x 31	ta 40/B	22.3	71.5
7124069	7124083	2 x 24	2 x 0.031	2 x 43	ta 40/B	22.3	71.5

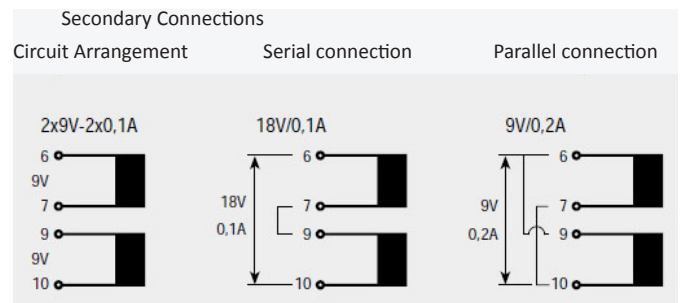
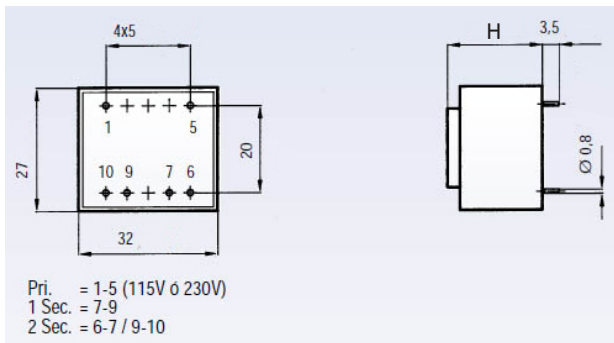


EI 30/10.5 Power 1.8VA

Reference		Secondary Voltage (V)	Secondary Current (A)	Ambient temperature (°C)	Dimension H max (mm)	Weight approx. (g)
Primary Voltage 115 V	Primary Voltage 230 V					
7124028	7124042	6	60.3	ta 40/B	22.3	71.5
7124029	7124043	7.5	0.24	ta 40/B	22.3	71.5
7124030	7124044	9	0.2	ta 40/B	22.3	71.5
7124031	7124045	12	0.15	ta 40/B	22.3	71.5
7124032	7124046	15	0.12	ta 40/B	22.3	71.5
7124033	7124047	18	0.1	ta 40/B	22.3	71.5
7124034	7124048	24	0.075	ta 40/B	22.3	71.5
7124035	7124049	2 x 6	2 x 0.15	ta 40/B	22.3	71.5
7124036	7124050	2 x 7.5	2 x 0.12	ta 40/B	22.3	71.5
7124037	7124051	2 x 9	2 x 0.1	ta 40/B	22.3	71.5
7124038	7124052	2 x 12	2 x 0.075	ta 40/B	22.3	71.5
7124039	7124053	2 x 15	2 x 0.06	ta 40/B	22.3	71.5
7124040	7124054	2 x 18	2 x 0.05	ta 40/B	22.3	71.5
7124041	7124055	2 x 24	2 x 0.037	ta 40/B	22.3	71.5

EI 30/12.5 Power 1.5VA

Reference		Primary Voltage 115 V	Primary Voltage 230 V	Secondary Voltage (V)	Secondary Current (A)	No-load Voltage (V)	Ambient temperature (°C)	Dimension H max (mm)	Weight approx. (g)
7123042	7123056			6	0.250	9.7	ta 70/B	24.4	82
7123043	7123057			7.5	0.200	12.1	ta 70/B	24.4	82
7123044	7123058			9	0.167	14.5	ta 70/B	24.4	82
7123045	7123059			12	0.125	19.3	ta 70/B	24.4	82
7123046	7123060			15	0.100	24.2	ta 70/B	24.4	82
7123047	7123061			18	0.083	29.8	ta 70/B	24.4	82
7123048	7123062			24	0.063	38.6	ta 70/B	24.4	82
7123049	7123063			2 x 6	2 x 0.125	2 x 9.7	ta 70/B	24.4	82
7123050	7123064			2 x 7.5	2 x 0.100	2 x 12.1	ta 70/B	24.4	82
7123051	7123065			2 x 9	2 x 0.083	2 x 15	ta 70/B	24.4	82
7123052	7123066			2 x 12	2 x 0.063	2 x 19.3	ta 70/B	24.4	82
7123053	7123067			2 x 15	2 x 0.050	2 x 24.2	ta 70/B	24.4	82
7123054*	7123068*			2 x 18	2 x 0.042	2 x 29	ta 70/B	24.4	82
7123055*	7123069*			2 x 24	2 x 0.031	2 x 38.6	ta 70/B	24.4	82

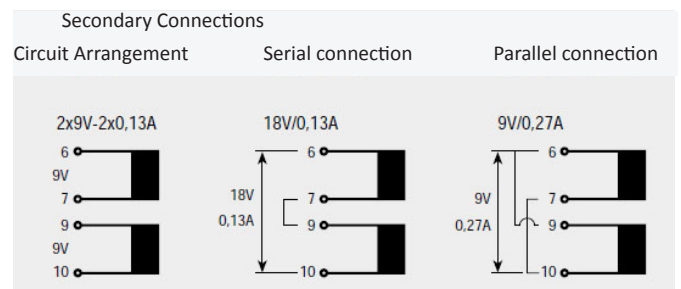
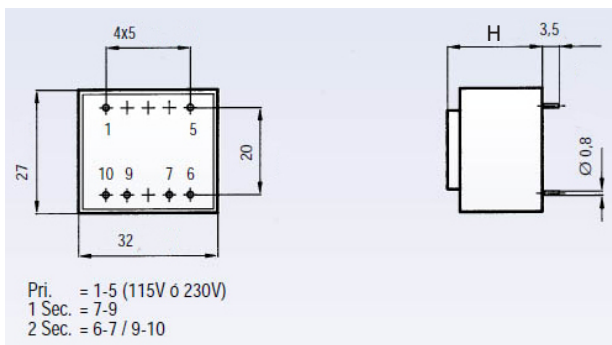


EI 30/12.5 Power 1.8VA

Reference		Primary Voltage 115 V	Primary Voltage 230 V	Secondary Voltage (V)	Secondary Current (A)	No-load Voltage (V)	Ambient temperature (°C)	Dimension H max (mm)	Weight approx. (g)
7123028	7122107			6	0.300	9.8	ta 40/B	24.4	82
7123029	7122108			7.5	0.240	12.5	ta 40/B	24.4	82
7123030	7122109			9	0.200	14.8	ta 40/B	24.4	82
7123031	7122110			12	0.150	19.7	ta 40/B	24.4	82
7123032	7122111			15	0.120	24.6	ta 40/B	24.4	82
7123033	7122112			18	0.100	30.3	ta 40/B	24.4	82
7123034	7122113			24	0.075	39.3	ta 40/B	24.4	82
7123035	7122114			2 x 6	2 x 0.150	2 x 9.8	ta 40/B	24.4	82
7123036	7122115			2 x 7.5	2 x 0.120	2 x 12.5	ta 40/B	24.4	82
7123037	7122116			2 x 9	2 x 0.100	2 x 15.2	ta 40/B	24.4	82
7123038	7122117			2 x 12	2 x 0.075	2 x 19.7	ta 40/B	24.4	82
7123039	7122118			2 x 15	2 x 0.060	2 x 24.6	ta 40/B	24.4	82
7123040*	7122119*			2 x 18	2 x 0.050	2 x 29.5	ta 40/B	24.4	82
7123041*	7122120*			2 x 24	2 x 0.038	2 x 39.3	ta 40/B	24.4	82

EI 30/15.5 Power 2VA

Reference		Secondary Voltage (V)	Secondary Current (A)	No-load Voltage (V)	Ambient temperature (°C)	Dimension H max (mm)	Weight approx. (g)
Primary Voltage 115 V	Primary Voltage 230 V						
7123084	7123098	6	0.333	10.4	ta 70/B	27.4	100
7123085	7123099	7.5	0.267	12.9	ta 70/B	27.4	100
7123086	7123100	9	0.222	15.5	ta 70/B	27.4	100
7123087	7123101	12	0.167	20.7	ta 70/B	27.4	100
7123088	7123102	15	0.133	25.8	ta 70/B	27.4	100
7123089	7123103	18	0.111	30.8	ta 70/B	27.4	100
7123090	7123104	24	0.083	41.4	ta 70/B	27.4	100
7123091	7123105	2 x 6	2 x 0.167	2 x 10.4	ta 70/B	27.4	100
7123092	7123106	2 x 7.5	2 x 0.133	2 x 12.9	ta 70/B	27.4	100
7123093	7123107	2 x 9	2 x 0.111	2 x 15.4	ta 70/B	27.4	100
7123094	7123108	2 x 12	2 x 0.083	2 x 20.7	ta 70/B	27.4	100
7123095	7123109	2 x 15	2 x 0.067	2 x 25.0	ta 70/B	27.4	100
7123096*	7123110*	2 x 18	2 x 0.056	2 x 30.8	ta 70/B	27.4	100
7123097*	7123110*	2 x 24	2 x 0.042	2 x 41.4	ta 70/B	27.4	100

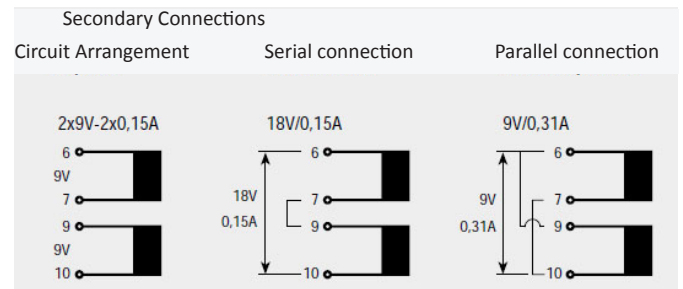
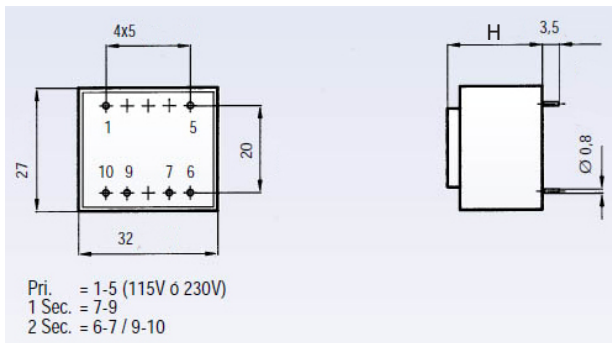


EI 30/15.5 Power 2.5VA

Reference		Secondary Voltage (V)	Secondary Current (A)	Ambient temperature (°C)	Dimension H max (mm)	Weight approx. (g)
Primary Voltage 115 V	Primary Voltage 230 V					
7123070	7122121	6	0.41	ta 40/B	27.4	100
7123071	7122122	7.5	0.33	ta 40/B	27.4	100
7123072	7122123	9	0.27	ta 40/B	27.4	100
7123073	7122124	12	0.20	ta 40/B	27.4	100
7123074	7122125	15	0.16	ta 40/B	27.4	100
7123075	7122126	18	0.13	ta 40/B	27.4	100
7123076	7122127	24	0.10	ta 40/B	27.4	100
7123077	7122128	2 x 6	2 x 0.2	ta 40/B	27.4	100
7123078	7122129	2 x 7.5	2 x 0.16	ta 40/B	27.4	100
7123079	7122130	2 x 9	2 x 0.13	ta 40/B	27.4	100
7123080	7122131	2 x 12	2 x 0.1	ta 40/B	27.4	100
7123081	7122132	2 x 15	2 x 0.083	ta 40/B	27.4	100
7123082*	7122133*	2 x 18	2 x 0.069	ta 40/B	27.4	100
7123083*	7122134*	2 x 24	2 x 0.052	ta 40/B	27.4	100

EI 30/18 Power 2.3VA

Reference		Secondary Voltage (V)	Secondary Current (A)	No-load Voltage (V)	Ambient temperature (°C)	Dimension H max (mm)	Weight approx. (g)
Primary Voltage 115 V	Primary Voltage 230 V						
7123126	7123140	6	0.383	10.5	ta 70/B	29.8	110
7123127	7123141	7.5	0.307	13.1	ta 70/B	29.8	110
7123128	7123142	9	0.256	15.7	ta 70/B	29.8	110
7123129	7123143	12	0.192	21	ta 70/B	29.8	110
7123130	7123144	15	0.153	25.9	ta 70/B	29.8	110
7123131	7123145	18	0.128	31.4	ta 70/B	29.8	110
7123132	7123146	24	0.096	41.9	ta 70/B	29.8	110
7123133	7123147	2 x 6	2 x 0.192	2 x 10.5	ta 70/B	29.8	110
7123134	7123148	2 x 7.5	2 x 0.153	2 x 13.1	ta 70/B	29.8	110
7123135	7123149	2 x 9	2 x 0.128	2 x 15.7	ta 70/B	29.8	110
7123136	7123150	2 x 12	2 x 0.096	2 x 21	ta 70/B	29.8	110
7123137	7123151	2 x 15	2 x 0.077	2 x 25.0	ta 70/B	29.8	110
7123138*	7123152*	2 x 18	2 x 0.064	2 x 31.4	ta 70/B	29.8	110
7123139*	7123153*	2 x 24	2 x 0.048	2 x 41.9	ta 70/B	29.8	110

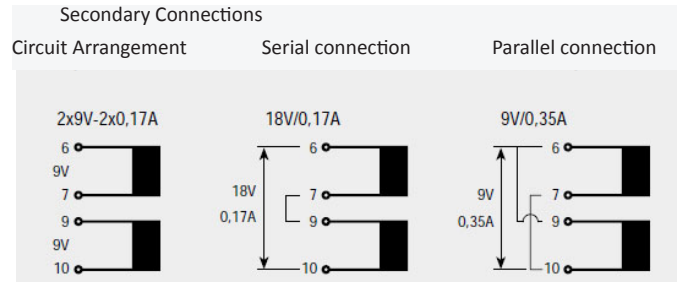
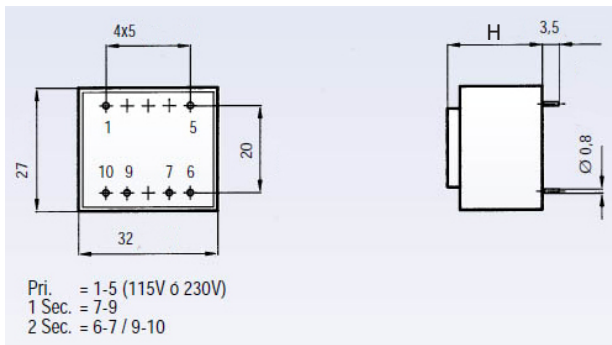


EI 30/18 Power 2.8VA

Reference		Secondary Voltage (V)	Secondary Current (A)	No-load Voltage (V)	Ambient temperature (°C)	Dimension H max (mm)	Weight approx. (g)
Primary Voltage 115 V	Primary Voltage 230 V						
7123112	7122269	6	0.467	10.5	ta 40/B	29.8	110
7123113	7122270	7.5	0.373	13.2	ta 40/B	29.8	110
7123114	7122271	9	0.311	15.4	ta 40/B	29.8	110
7123115	7122272	12	0.233	21.1	ta 40/B	29.8	110
7123116	7122273	15	0.187	26.3	ta 40/B	29.8	110
7123117	7122274	18	0.156	30.9	ta 40/B	29.8	110
7123118	7122275	24	0.117	42.1	ta 40/B	29.8	110
7123119	7122276	2 x 6	2 x 0.233	2 x 10.6	ta 40/B	29.8	110
7123120	7122277	2 x 7.5	2 x 0.187	2 x 13.1	ta 40/B	29.8	110
7123121	7122278	2 x 9	2 x 0.155	2 x 15.4	ta 40/B	29.8	110
7123122	7122279	2 x 12	2 x 0.117	2 x 21.1	ta 40/B	29.8	110
7123123	7122280	2 x 15	2 x 0.093	2 x 25	ta 40/B	29.8	110
7123124*	7122281*	2 x 18	2 x 0.070	2 x 31.5	ta 40/B	29.8	110
7123152*	7122282*	2 x 24	2 x 0.058	2 x 42.1	ta 40/B	29.8	110

EI 30/18 Power 3.2VA

Reference		Secondary Voltage (V)	Secondary Current (A)	Ambient temperature (°C)	Dimension H max (mm)	Weight approx. (g)
Primary Voltage 115 V	Primary Voltage 230 V					
7124196	7124210	6	0.53	ta 40/B	29.8	110
7124197	7124211	7.5	0.42	ta 40/B	29.8	110
7124198	7124212	9	0.35	ta 40/B	29.8	110
7124199	7124213	12	0.26	ta 40/B	29.8	110
7124200	7124214	15	0.21	ta 40/B	29.8	110
7124201	7124215	18	0.17	ta 40/B	29.8	110
7124202	7124216	24	0.13	ta 40/B	29.8	110
7124203	7124217	2 x 6	2 x 0.26	ta 40/B	29.8	110
7124204	7124218	2 x 7.5	2 x 0.21	ta 40/B	29.8	110
7124205	7124219	2 x 9	2 x 0.17	ta 40/B	29.8	110
7124206	7124220	2 x 12	2 x 0.13	ta 40/B	29.8	110
7124207	7124221	2 x 15	2 x 0.10	ta 40/B	29.8	110
7124208	7124222	2 x 18	2 x 0.088	ta 40/B	29.8	110
7124209	7124223	2 x 24	2 x 0.066	ta 40/B	29.8	110



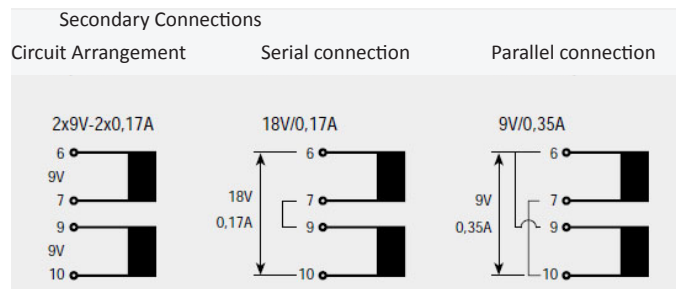
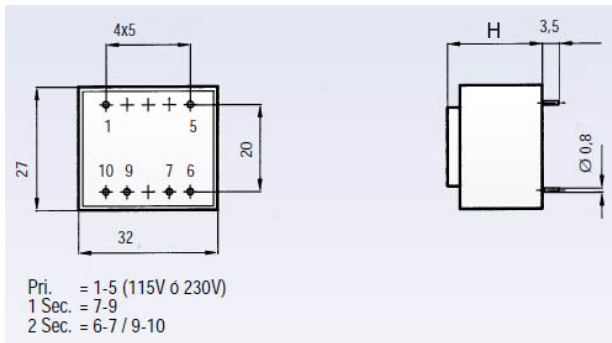
EI 30/23 Power 3VA

Reference		Secondary Voltage (V)	Secondary Current (A)	Ambient temperature (°C)	Dimension H max (mm)	Weight approx. (g)
Primary Voltage 115 V	Primary Voltage 230 V					
7124280	7124294	6	0.50	ta 70/B	34	140
7124281	7124295	7.5	0.40	ta 70/B	34	140
7124282	7124296	9	0.33	ta 70/B	34	140
7124283	7124297	12	0.25	ta 70/B	34	140
7124284	7124298	15	0.20	ta 70/B	34	140
7124285	7124299	18	0.16	ta 70/B	34	140
7124286	7124300	24	0.12	ta 70/B	34	140
7124287	7124301	2 x 6	2 x 0.25	ta 70/B	34	140
7124288	7124302	2 x 7.5	2 x 0.20	ta 70/B	34	140
7124289	7124303	2 x 9	2 x 0.16	ta 70/B	34	140
7124290	7124304	2 x 12	2 x 0.12	ta 70/B	34	140
7124291	7124305	2 x 15	2 x 0.10	ta 70/B	34	140
7124292	7124306	2 x 18	2 x 0.083	ta 70/B	34	140
7124293	7124307	2 x 24	2 x 0.062	ta 70/B	34	140

EI 30/23

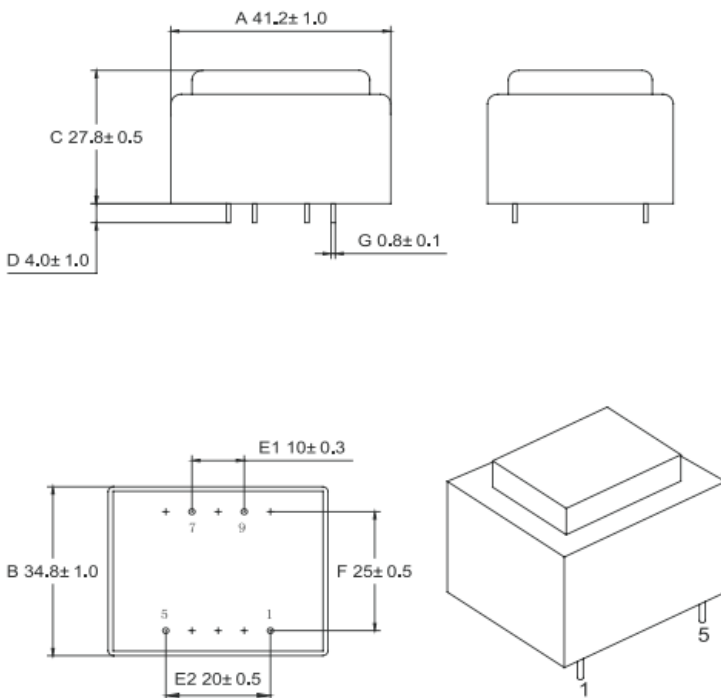
Power 3.2VA

Reference		Secondary Voltage (V)	Secondary Current (A)	Ambient temperature (°C)	Dimension H max (mm)	Weight approx. (g)
Primary Voltage 115 V	Primary Voltage 230 V					
7123154	7123168	6	0.53	ta 40/B	34	140
7123155	7123169	7.5	0.42	ta 40/B	34	140
7123156	7123170	9	0.35	ta 40/B	34	140
7123157	7123171	12	0.26	ta 40/B	34	140
7123158	7123172	15	0.21	ta 40/B	34	140
7123159	7123173	18	0.17	ta 40/B	34	140
7123160	7123174	24	0.13	ta 40/B	34	140
7123161	7123175	2 x 6	2 x 0.26	ta 40/B	34	140
7123162	7123176	2 x 7.5	2 x 0.21	ta 40/B	34	140
7123163	7123177	2 x 9	2 x 0.17	ta 40/B	34	140
7123164	7123178	2 x 12	2 x 0.13	ta 40/B	34	140
7123165	7123179	2 x 15	2 x 0.10	ta 40/B	34	140
7123166*	7123180*	2 x 18	2 x 0.088	ta 40/B	34	140
7123167*	7123181*	2 x 24	2 x 0.066	ta 40/B	34	140

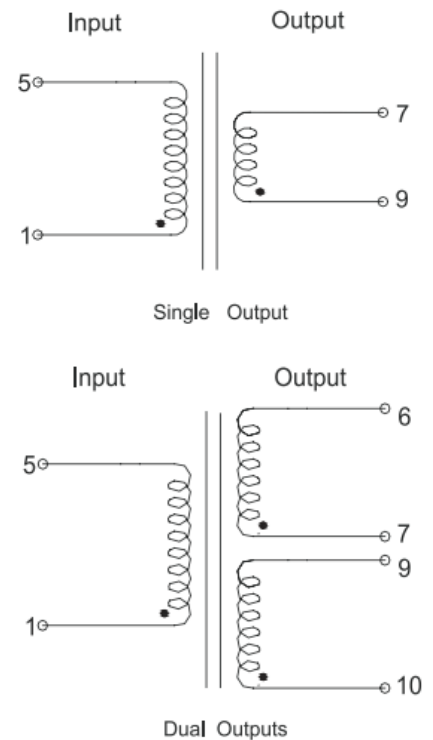


EI38 SERIES

OUTLINE DIMENSIONS



ELECTRICAL SCHEMATIC



EI 38/13.6 Power 3.2VA

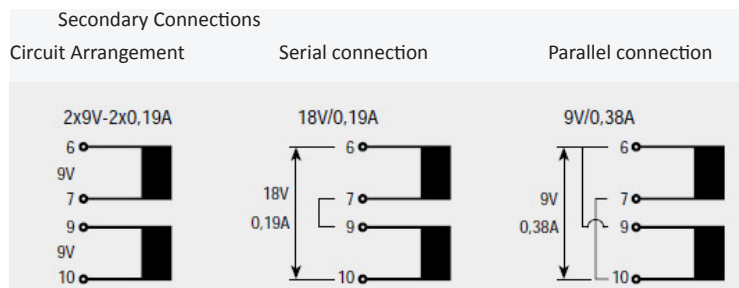
Reference							
Primary Voltage 115 V	Primary Voltage 230 V	Secondary Voltage (V)	Secondary Current (A)	No-load Voltage (V)	Ambient temperature (°C)	Dimension H max (mm)	Weight approx. (g)
7125029	7125041	6	0.534	8.9	ta 70/B	28.3	153
7125030	7125042	9	0.356	13	ta 70/B	28.3	153
7125031	7125043	12	0.267	17	ta 70/B	28.3	153
7125032	7125044	15	0.214	21	ta 70/B	28.3	153
7125033	7125045	18	0.178	25.1	ta 70/B	28.3	153
7125034	7125046	24	0.133	33.5	ta 70/B	28.3	153
7125035	7125047	2 x 6	2 x 0.267	2 x 8.9	ta 70/B	28.3	153
7125036	7125048	2 x 9	2 x 0.178	2 x 13	ta 70/B	28.3	153
7125037	7125049	2 x 12	2 x 0.134	2 x 17	ta 70/B	28.3	153
7125038	7125050	2 x 15	2 x 0.107	2 x 21	ta 70/B	28.3	153
7125039	7125051	2 x 18	2 x 0.089	2 x 25.1	ta 70/B	28.3	153
7125040	7125052	2 x 24	2 x 0.067	2 x 33.5	ta 70/B	28.3	153

EI 38/13.6 Power 3.5VA

Reference		Secondary Voltage (V)	Secondary Current (A)	Ambient temperature (°C)	Dimension H max (mm)	Weight approx. (g)
Primary Voltage 115 V	Primary Voltage 230 V					
7124308	7122135	6	0.58	ta 40/B	28.3	153
7124309	7122136	7.5	0.46	ta 40/B	28.3	153
7124310	7122137	9	0.38	ta 40/B	28.3	153
7124311	7122138	12	0.29	ta 40/B	28.3	153
7124312	7122139	15	0.23	ta 40/B	28.3	153
7124313	7122140	18	0.19	ta 40/B	28.3	153
7124314	7122141	24	0.14	ta 40/B	28.3	153
7124315	7122142	2 x 6	2 x 0.29	ta 40/B	28.3	153
7124316	7122143	2 x 7.5	2 x 0.23	ta 40/B	28.3	153
7124317	7122144	2 x 9	2 x 0.19	ta 40/B	28.3	153
7124318	7122145	2 x 12	2 x 0.14	ta 40/B	28.3	153
7124319	7122146	2 x 15	2 x 0.11	ta 40/B	28.3	153
7124320	7122147	2 x 18	2 x 0.097	ta 40/B	28.3	153
7124321*	7122148*	2 x 24	2 x 0.072	ta 40/B	28.3	153

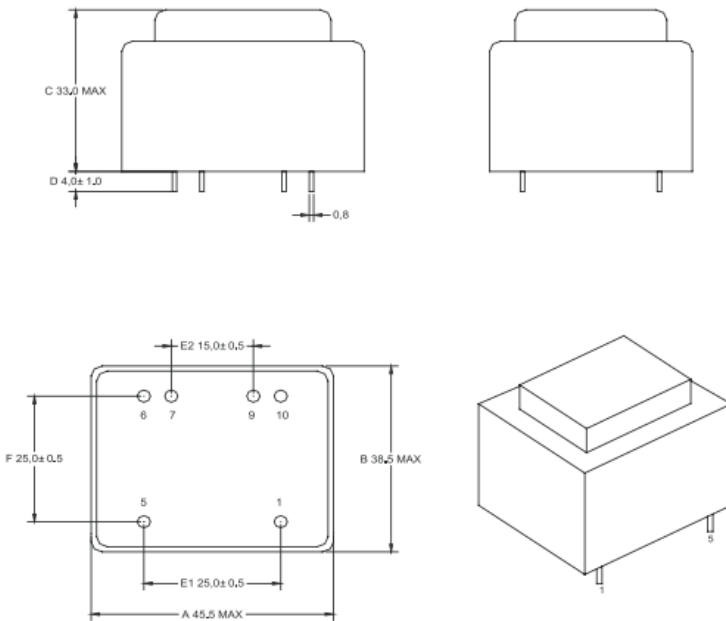
EI 38/13.6 Power 4.0VA

Reference		Secondary Voltage (V)	Secondary Current (A)	No-load Voltage (V)	Ambient temperature (°C)	Dimension H max (mm)	Weight approx. (g)
Primary Voltage 115 V	Primary Voltage 230 V						
7125053	7125065	6	0.667	8.5	ta 70/B	28.3	153
7125054	7125066	9	0.444	12.6	ta 70/B	28.3	153
7125055	7125067	12	0.333	16.4	ta 70/B	28.3	153
7125056	7125068	15	0.267	20.9	ta 70/B	28.3	153
7125057	7125069	18	0.222	24.3	ta 70/B	28.3	153
7125058	7125070	24	0.167	32.8	ta 70/B	28.3	153
7125059	7125071	2 x 6	2 x 0.333	2 x 8.5	ta 70/B	28.3	153
7125060	7125072	2 x 9	2 x 0.222	2 x 12.5	ta 70/B	28.3	153
7125061	7125073	2 x 12	2 x 0.167	2 x 16.4	ta 70/B	28.3	153
7125062	7125074	2 x 15	2 x 0.133	2 x 21.2	ta 70/B	28.3	153
7125063	7125075	2 x 18	2 x 0.111	2 x 24.5	ta 70/B	28.3	153
7125064	7125076	2 x 24	2 x 0.083	2 x 32.7	ta 70/B	28.3	153

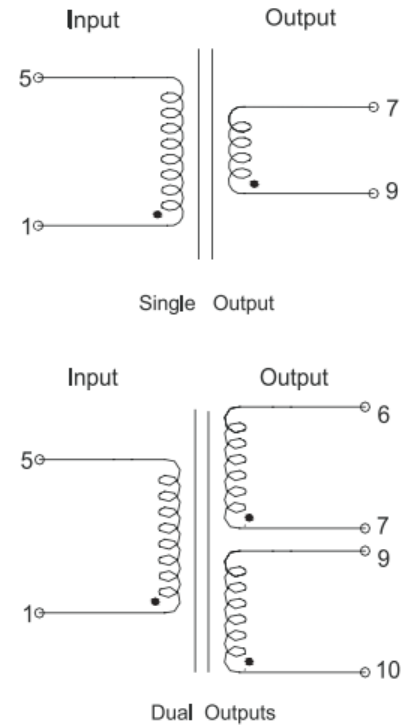


EI42 SERIES

OUTLINE DIMENSIONS



ELECTRICAL SCHEMATIC



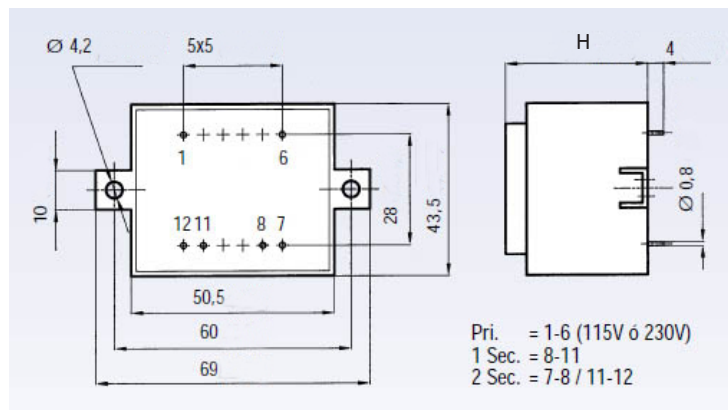
EI 42/14.8 Power 5.0VA

Reference		Primary Voltage 115 V	Primary Voltage 230 V	Secondary Voltage (V)	Secondary Current (A)	No-load Voltage (V)	Ambient temperature (°C)	Dimension H max (mm)	Weight approx. (g)
7123238	7123252			6	0.834	8.4	ta 70/B	33	200
7123240	7123254			9	0.556	12.6	ta 70/B	33	200
7123241	7123255			12	0.417	16.9	ta 70/B	33	200
7123242	7123256			15	0.334	21	ta 70/B	33	200
7123243	7123257			18	0.278	25.3	ta 70/B	33	200
7123244	7123258			24	0.208	33.7	ta 70/B	33	200
7123245	7123259			2 x 6	2 x 0.417	2 x 8.4	ta 70/B	33	200
7123247	7123261			2 x 9	2 x 0.278	2 x 12.6	ta 70/B	33	200
7123248	7123262			2 x 12	2 x 0.208	2 x 16.9	ta 70/B	33	200
7123249	7123263			2 x 15	2 x 0.167	2 x 21	ta 70/B	33	200
7123250	7123264			2 x 18	2 x 0.139	2 x 25.3	ta 70/B	33	200
7123251	7123265			2 x 24	2 x 0.104	2 x 33.7	ta 70/B	33	200

EI 42/14.8 Power 6.0VA

Reference		Primary Voltage 115 V	Primary Voltage 230 V	Secondary Voltage (V)	Secondary Current (A)	No-load Voltage (V)	Ambient temperature (°C)	Dimension H max (mm)	Weight approx. (g)
7125077	7125089			6	0.834	8.4	ta 70/B	33	200
7125078	7125090			9	0.556	12.6	ta 70/B	33	200
7125079	7125091			12	0.417	16.9	ta 70/B	33	200
7125080	7125092			15	0.334	21	ta 70/B	33	200
7125081	7125093			18	0.278	25.3	ta 70/B	33	200
7125082	7125094			24	0.208	33.7	ta 70/B	33	200
7125083	7125095			2 x 6	2 x 0.417	2 x 8.4	ta 70/B	33	200
7125084	7125096			2 x 9	2 x 0.278	2 x 12.6	ta 70/B	33	200
7125085	7125097			2 x 12	2 x 0.208	2 x 16.9	ta 70/B	33	200
7125086	7125098			2 x 15	2 x 0.167	2 x 21	ta 70/B	33	200
7125087	7125099			2 x 18	2 x 0.139	2 x 25.3	ta 70/B	33	200
7125088	7125100			2 x 24	2 x 0.104	2 x 33.7	ta 70/B	33	200

EI48 SERIES

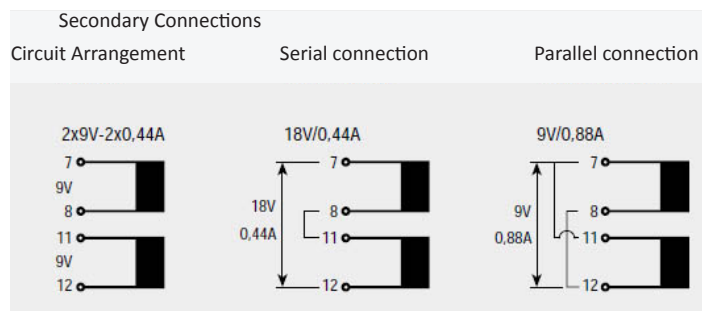


EI 48/16.8 Power 8VA

Reference		Primary Voltage 115 V	Primary Voltage 230 V	Secondary Voltage (V)	Secondary Current (A)	Ambient temperature (°C)	Dimension H max (mm)	Weight approx. (g)
7124350	7121401			6	1.33	ta 40/B	35.5	285
7124351	7122172			7.5	1.06	ta 40/B	35.5	285
7124352	7122173			9	0,88	ta 40/B	35.5	285
7124353	7121402			12	0.66	ta 40/B	35.5	285
7124354	7122174			15	0.53	ta 40/B	35.5	285
7124355	7121403			18	0.44	ta 40/B	35.5	285
7124356	7121404			24	0.33	ta 40/B	35.5	285
7124357	7122175			2 x 6	2 x 0.66	ta 40/B	35.5	285
7124358	7122176			2 x 7.5	2 x 0.53	ta 40/B	35.5	285
7124359	7122177			2 x 9	2 x 0.44	ta 40/B	35.5	285
7124360	7122178			2 x 12	2 x 0.33	ta 40/B	35.5	285
7124361	7122179			2 x 15	2 x 0.26	ta 40/B	35.5	285
7124362	7122180			2 x 18	2 x 0.22	ta 40/B	35.5	285
7124363*	7122181*			2 x 24	2 x 0.16	ta 40/B	35.5	285

EI 48/16.8 Power 10VA

Reference		Secondary Voltage (V)	Secondary Current (A)	No-load Voltage (V)	Ambient temperature (°C)	Dimension H max (mm)	Weight approx. (g)
Primary Voltage 115 V	Primary Voltage 230 V						
7125101	7125113	6	1.667	7.6	ta 50/B	35.5	285
7125102	7125114	9	1.111	11.4	ta 50/B	35.5	285
7125103	7125115	12	0.833	15.2	ta 50/B	35.5	285
7125104	7125116	15	0.667	18.9	ta 50/B	35.5	285
7125105	7125117	18	0.556	22.3	ta 50/B	35.5	285
7125106	7125118	24	0.417	29.4	ta 50/B	35.5	285
7125107	7125119	2 x 6	2 x 0.833	2 x 7.6	ta 50/B	35.5	285
7125108	7125120	2 x 9	2 x 0.556	2 x 11.4	ta 50/B	35.5	285
7125109	7125121	2 x 12	2 x 0.417	2 x 15.2	ta 50/B	35.5	285
7125110	7125122	2 x 15	2 x 0.333	2 x 18.9	ta 50/B	35.5	285
7125111	7125123	2 x 18	2 x 0.278	2 x 22.3	ta 50/B	35.5	285
7125112	7125124	2 x 24	2 x 0.208	2 x 29.4	ta 50/B	35.5	285

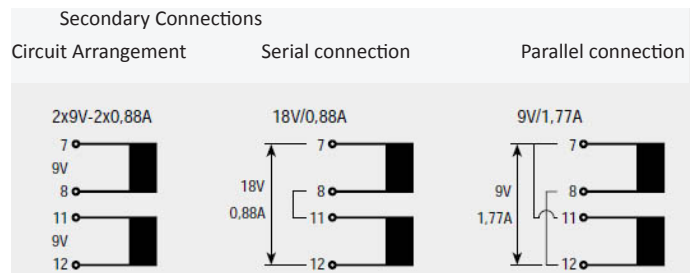
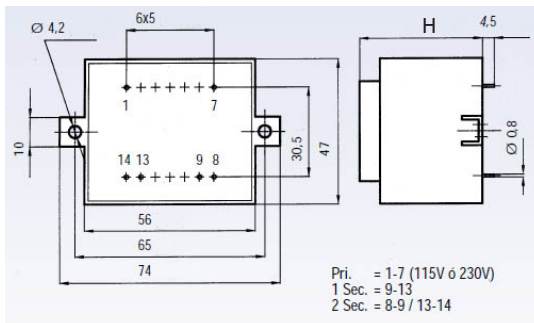


EI 48/20 Power 10VA

Reference		Secondary Voltage (V)	Secondary Current (A)	Ambient temperature (°C)	Dimension H max (mm)	Weight approx. (g)
Primary Voltage 115 V	Primary Voltage 230 V					
7124364	7122292	6	1.66	ta 40/B	38.5	340
7124365	7122293	7.5	1.33	ta 40/B	38.5	340
7124366	7122294	9	1.11	ta 40/B	38.5	340
7124367	7122295	12	0.83	ta 40/B	38.5	340
7124368	7122296	15	0.66	ta 40/B	38.5	340
7124369	7122297	18	0.55	ta 40/B	38.5	340
7124370	7122298	24	0.41	ta 40/B	38.5	340
7124371	7122299	2 x 6	2 x 0.83	ta 40/B	38.5	340
7124372	7122300	2 x 7.5	2 x 0.66	ta 40/B	38.5	340
7124373	7122301	2 x 9	2 x 0.55	ta 40/B	38.5	340
7124374	7122302	2 x 12	2 x 0.41	ta 40/B	38.5	340
7124375	7122303	2 x 15	2 x 0.33	ta 40/B	38.5	340
7124376	7122304	2 x 18	2 x 0.27	ta 40/B	38.5	340
7124377*	7122305*	2 x 24	2 x 0.20	ta 40/B	38.5	340

EI 54/18.8 Power 12VA

Reference		Secondary Voltage (V)	Secondary Current (A)	Ambient temperature (°C)	Dimension H max (mm)	Weight approx. (g)
Primary Voltage 115 V	Primary Voltage 230 V					
7124378	7121405	6	2.00	ta 40/B	39	430
7124379	7122182	7.5	1.60	ta 40/B	39	430
7124380	7122183	9	1.33	ta 40/B	39	430
7124381	7121406	12	1.00	ta 40/B	39	430
7124382	7122184	15	0.80	ta 40/B	39	430
7124383	7121407	18	0.66	ta 40/B	39	430
7124384	7121408	24	0.50	ta 40/B	39	430
7124385	7122185	2 x 6	2 x 1.00	ta 40/B	39	430
7124386	7122186	2 x 7.5	2 x 0.80	ta 40/B	39	430
7124387	7122187	2 x 9	2 x 0.66	ta 40/B	39	430
7124388	7122188	2 x 12	2 x 0.50	ta 40/B	39	430
7124389	7122189	2 x 15	2 x 0.40	ta 40/B	39	430
7124390	7122190	2 x 18	2 x 0.33	ta 40/B	39	430
7124391*	7122191*	2 x 24	2 x 0.25	ta 40/B	39	430



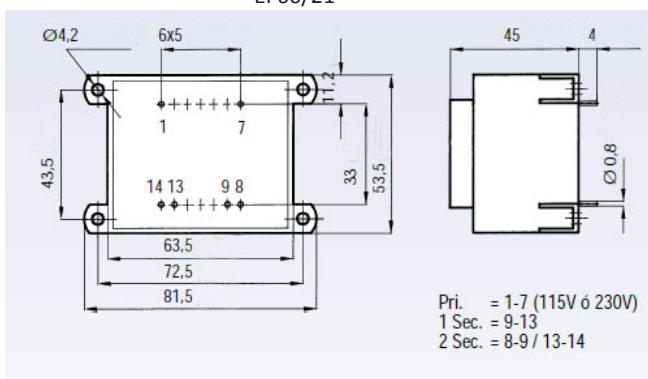
EI 54/18.8 Power 16VA

Reference		Secondary Voltage (V)	Secondary Current (A)	Ambient temperature (°C)	Dimension H max (mm)	Weight approx. (g)
Primary Voltage 115 V	Primary Voltage 230 V					
7123378	7122800	6	2.66	ta 40/B	39	430
7123379	7123392	7.5	2.13	ta 40/B	39	430
7123380	7122801	9	1.77	ta 40/B	39	430
7123381	7122802	12	1.33	ta 40/B	39	430
7123382	7122803	15	1.06	ta 40/B	39	430
7123383	7122804	18	0.88	ta 40/B	39	430
7123384	7122805	24	0.66	ta 40/B	39	430
7123385	7122806	2 x 6	2 x 1.33	ta 40/B	39	430
7123386	7123393	2 x 7.5	2 x 1.06	ta 40/B	39	430
7123387	7122807	2 x 9	2 x 0.88	ta 40/B	39	430
7123388	7122808	2 x 12	2 x 0.66	ta 40/B	39	430
7123389	7122809	2 x 15	2 x 0.53	ta 40/B	39	430
7123390	7122810	2 x 18	2 x 0.44	ta 40/B	39	430
7123391*	7122811*	2 x 24	2 x 0.33	ta 40/B	39	430

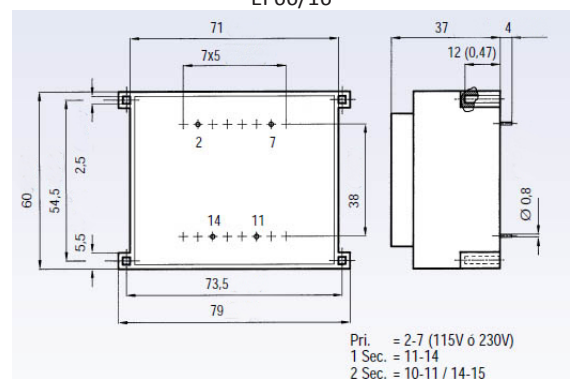
EI 60/21 Power 25VA

Reference		Secondary Voltage (V)	Secondary Current (A)	Ambient temperature (°C)	Dimension H max (mm)	Weight approx. (g)
Primary Voltage 115 V	Primary Voltage 230 V					
7123394	7123408	6	4.16	ta 40/B	45	600
7123395	7123409	7.5	3.33	ta 40/B	45	600
7123396	7123410	9	2.77	ta 40/B	45	600
7123397	7123411	12	2.08	ta 40/B	45	600
7123398	7123412	15	1.66	ta 40/B	45	600
7123399	7123413	18	1.38	ta 40/B	45	600
7123400	7123414	24	1.04	ta 40/B	45	600
7123401	7123415	2 x 6	2 x 2.08	ta 40/B	45	600
7123402	7123416	2 x 7.5	2 x 1.66	ta 40/B	45	600
7123403	7123417	2 x 9	2 x 1.38	ta 40/B	45	600
7123404	7123418	2 x 12	2 x 1.04	ta 40/B	45	600
7123405	7123419	2 x 15	2 x 0.83	ta 40/B	45	600
7123406	7123420	2 x 18	2 x 0.69	ta 40/B	45	600
7123407*	7123421*	2 x 24	2 x 0.52	ta 40/B	45	600

EI 60/21



EI 66/16

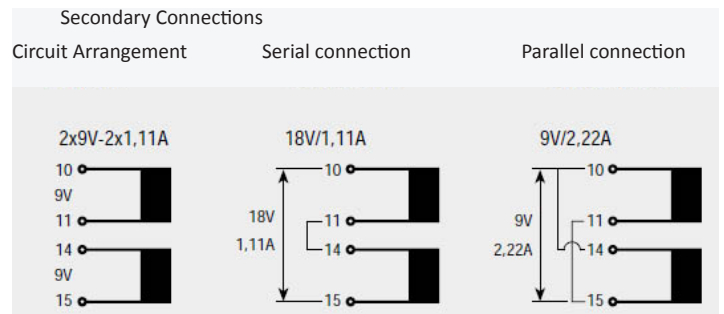
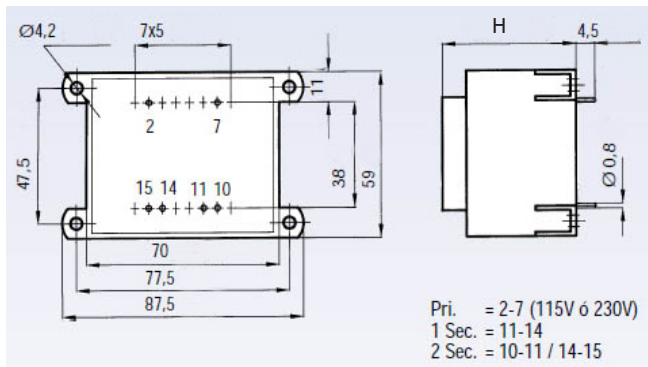


EI 66/16 Power 20VA

Reference		Secondary Voltage (V)	Secondary Current (A)	Ambient temperature (°C)	Dimension H max (mm)	Weight approx. (g)
Primary Voltage 115 V	Primary Voltage 230 V					
7123422	7121986	6	3.33	ta 40/B	37	550
7123423	7121987	7.5	2.66	ta 40/B	37	550
7123424	7121988	9	2.22	ta 40/B	37	550
7123425	7121989	12	1.66	ta 40/B	37	550
7123426	7121990	15	1.33	ta 40/B	37	550
7123427	7121991	18	1.11	ta 40/B	37	550
7123428	7121992	24	0.83	ta 40/B	37	550
7123429	7121993	2 x 6	2 x 1.66	ta 40/B	37	550
7123430	7121994	2 x 7.5	2 x 1.33	ta 40/B	37	550
7123431	7121995	2 x 9	2 x 1.11	ta 40/B	37	550
7123432	7121996	2 x 12	2 x 0.83	ta 40/B	37	550
7123433	7121997	2 x 15	2 x 0.66	ta 40/B	37	550
7123434	7121998	2 x 18	2 x 0.55	ta 40/B	37	550
7123435*	7121999*	2 x 24	2 x 0.41	ta 40/B	37	550

EI 66/23 Power 30VA

Reference		Secondary Voltage (V)	Secondary Current (A)	No-load Voltage (V)	Ambient temperature (°C)	Dimension H max (mm)	Weight approx. (g)
Primary Voltage 115 V	Primary Voltage 230 V						
7123436	7122812	6	5	6.9	ta 40/B	48.5	800
7123437	7122813	9	3.33	10.3	ta 40/B	48.5	800
7123438	7122814	12	2.5	13.8	ta 40/B	48.5	800
7123439	7122815	15	2	17.2	ta 40/B	48.5	800
7123440	7122816	18	1.66	20.8	ta 40/B	48.5	800
7123441	7122817	24	1.25	27.7	ta 40/B	48.5	800
7123442	7122818	2 x 6	2 x 2.5	2 x 6.9	ta 40/B	48.5	800
7123443	7122819	2 x 9	2 x 1.66	2 x 10.3	ta 40/B	48.5	800
7123444	7122820	2 x 12	2 x 1.25	2 x 13.8	ta 40/B	48.5	800
7123445	7122821	2 x 15	2 x 1.0	2 x 17.2	ta 40/B	48.5	800
7123446	7122822	2 x 18	2 x 0.83	2 x 20.8	ta 40/B	48.5	800
7123447*	7122823*	2 x 24	2 x 0.62	2 x 27.7	ta 40/B	48.5	800



EI 66/30 Power 35VA

Reference		Secondary Voltage (V)	Secondary Current (A)	Ambient temperature (°C)	Dimension H max (mm)	Weight approx. (g)
Primary Voltage 115 V	Primary Voltage 230 V					
7123448	7122824	6	5.83	ta 40/B	56	900
7123449	7122825	9	3.88	ta 40/B	56	900
7123450	7122826	12	2.91	ta 40/B	56	900
7123451	7122590	15	2.33	ta 40/B	56	900
7123452	7122827	18	1.94	ta 40/B	56	900
7123453	7122828	24	1.45	ta 40/B	56	900
7123454	7122829	2 x 6	2 x 2.91	ta 40/B	56	900
7123455	7122830	2 x 9	2 x 1.94	ta 40/B	56	900
7123456	7122589	2 x 12	2 x 1.45	ta 40/B	56	900
7123457	7122831	2 x 15	2 x 1.16	ta 40/B	56	900
7123458	7122832	2 x 18	2 x 0.97	ta 40/B	56	900
7123459*	7122833*	2 x 24	2 x 0.73	ta 40/B	56	900

EI 66/35 Power 45VA

Reference		Secondary Voltage (V)	Secondary Current (A)	Ambient temperature (°C)	Dimension H max (mm)	Weight approx. (g)
Primary Voltage 115 V	Primary Voltage 230 V					
7123460	7122834	6	7.5	ta 40/B	61	1100
7123461	7122835	9	5	ta 40/B	61	1100
7123462	7122836	12	3.75	ta 40/B	61	1100
7123463	7122837	15	3	ta 40/B	61	1100
7123464	7122838	18	2.5	ta 40/B	61	1100
7123465	7122839	24	1.87	ta 40/B	61	1100
7123466	7122840	2 x 6	2 x 3.75	ta 40/B	61	1100
7123467	7122841	2 x 9	2 x 2.5	ta 40/B	61	1100
7123468	7122842	2 x 12	2 x 1.87	ta 40/B	61	1100
7123469	7122843	2 x 15	2 x 1.5	ta 40/B	61	1100
7123470	7122844	2 x 18	2 x 1.25	ta 40/B	61	1100
7123471*	7122845*	2 x 24	2 x 0.93	ta 40/B	61	1100

EI 75/32.7 Power 60VA

Reference		Secondary Voltage (V)	Secondary Current (A)	Ambient temperature (°C)	Dimension H max (mm)	Weight approx. (g)
Primary Voltage 115 V	Primary Voltage 230 V					
7123472	7122591	6	10	ta 40/B	64	1350
7123473	7122846	9	6.66	ta 40/B	64	1350
7123474	7122847	12	5	ta 40/B	64	1350
7123475	7122548	15	4	ta 40/B	64	1350
7123476	7122849	18	3.33	ta 40/B	64	1350
7123477	7122850	24	2.5	ta 40/B	64	1350
7123478	7122851	2 x 6	2 x 5	ta 40/B	64	1350
7123479	7122852	2 x 9	2 x 3.33	ta 40/B	64	1350
7123480	7122853	2 x 12	2 x 2.5	ta 40/B	64	1350
7123481	7122854	2 x 15	2 x 2	ta 40/B	64	1350
7123482	7122855	2 x 18	2 x 1.66	ta 40/B	64	1350
7123483*	7122856*	2 x 24	2 x 1.25	ta 40/B	64	1350

