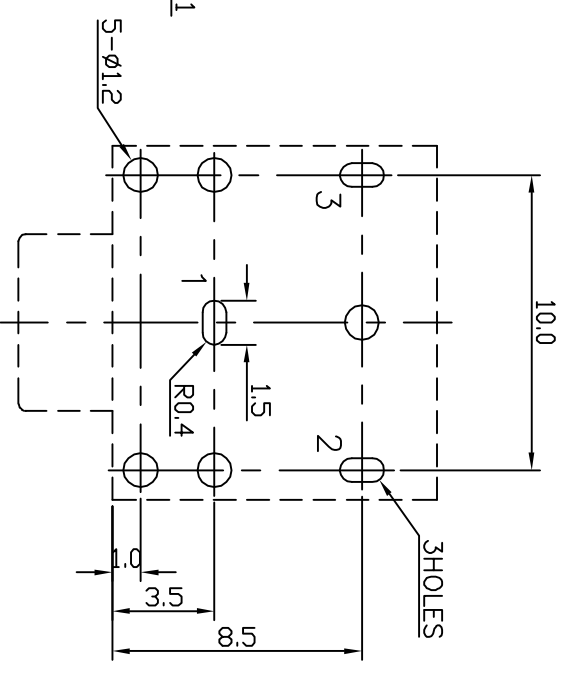
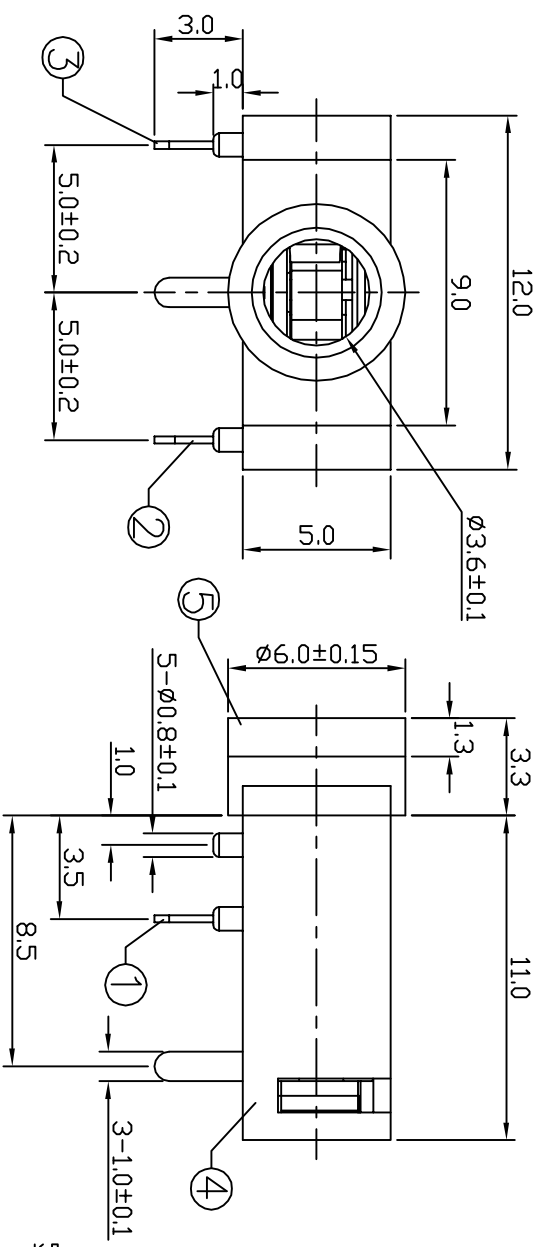
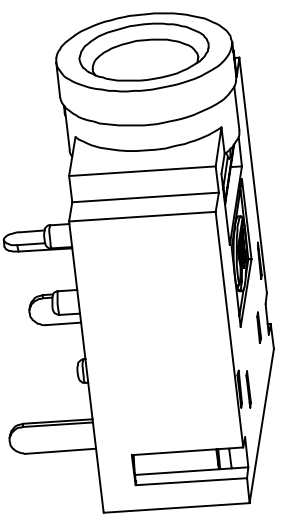


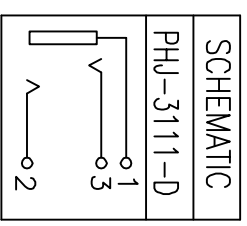
* REVISIONS				
LTR	DESCRIPTION	DATE	REVISED	APPROVED



I:1.6 Dimensions of PC board holes
Tolerance : ±0.05(Printed-top view)



LEAD FREE



LTR	PART NAME	QTY	MATERIAL	REMARK
5	AXIS SUPPORT	1	H59(COPPER ALLOY)	NI PLATED
4	HOUSING	1	PA66	BLACK
3	3# TERMINAL	1	C5191	t=0.25 Ag PLATED
2	2# TERMINAL	1	C5191	t=0.30 Ag PLATED
1	1# TERMINAL	1	C5191	t=0.25 Ag PLATED

DWN	ANNOU	DATE	3RD ANGLE PROJECTION	NAME
DWN	ANNOU	2009.06.09		PHONE JACK

CHKD	ANNOU	DATE	UNIT: mm	CAT. NO.
APVD	ELVIS	2009.06.09		PJD-035-24D

UNLESS OTHERWISE SPECIFIED, TOLERANCE ON DECIMAL: ±0.3

IDITECH CORPORATION

DWN.NO. PHJ-3111-D 001