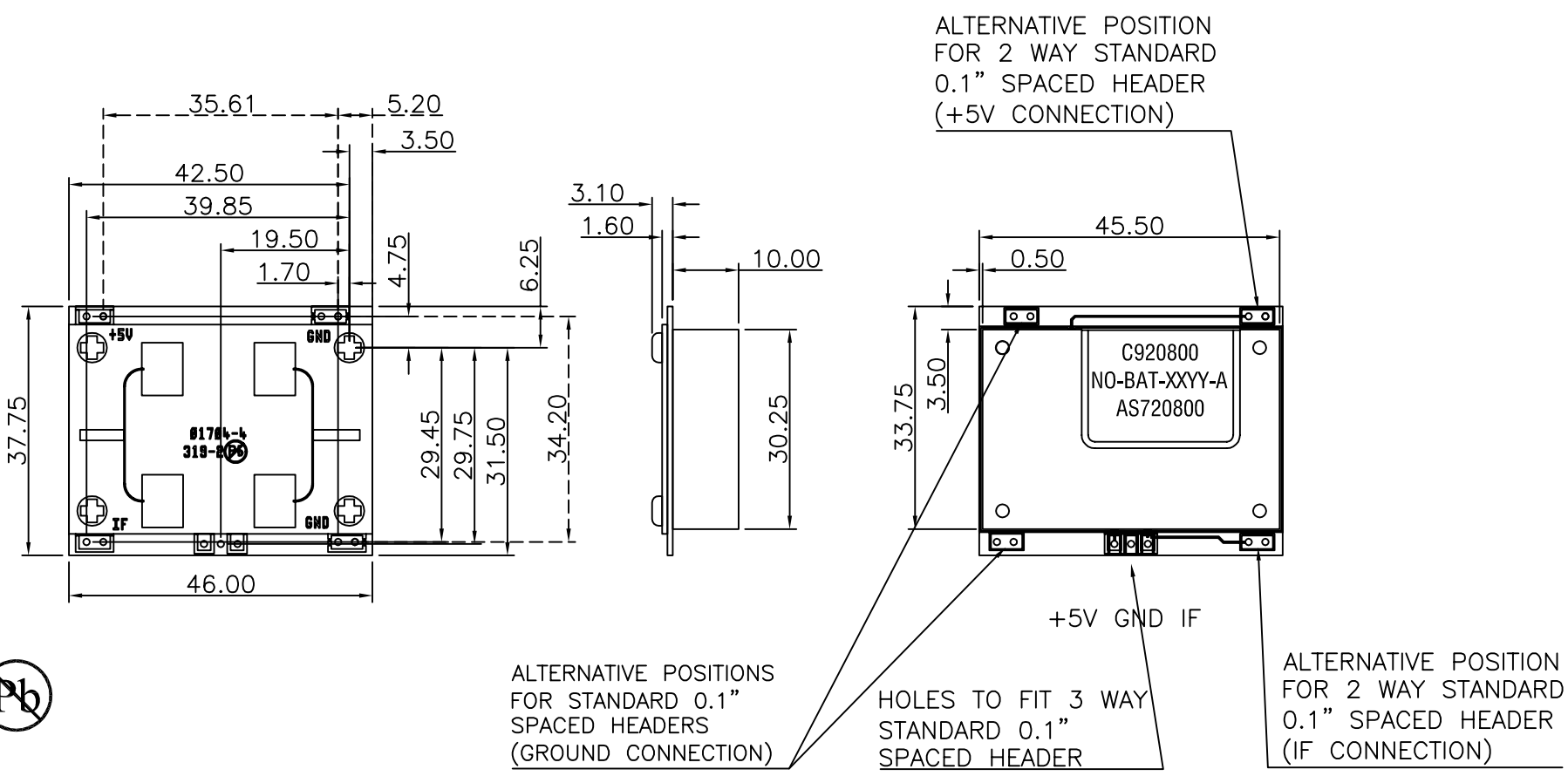


USED ON
 MKTG APPROVED
 Q.A. APPROVED
 PROD. ENG. APPROVED
 ELECT. ENG. APPROVED
 MECH. ENG. APPROVED
 PROJECT APPROVED
 CHECKED



- NOTES :
- UNIT CONTAINS ELECTROSTATIC SENSITIVE DEVICES. HANDLE IN ACCORDANCE WITH BS 5958
 - ELECTRICAL CONNECTION CAN BE MADE VIA EITHER A 3 WAY HEADER, +5V, GROUND AND IF. OR VIA AT LEAST THREE 2 WAY HEADERS. (FOUR HEADERS POSITIONS ARE AVAILABLE, +5V, IF AND TWO GROUND).

DRAWN	MATERIAL				ESTIMATED MASS (kg)		TITLE		DRAWN IN ACCORDANCE WITH BS 308	
	PROTECTIVE FINISH				SCALE (ORIGINAL) 2 : 1		INTERFACE DRAWING MDU 1750 SERIES		SECURITY CLASSIFICATION	
IAN ALDRED 8/11/01	2	9/1/06	1098		DIMENSIONS IN MILLIMETRES		MICROWAVE SOLUTIONS LIMITED, HAMILTON HOUSE, 111 MARLOWES, HEMEL HEMPSTEAD, HERTS, HP1 1BB.		MEL DRAWING NO.	SHEET NO. OF
	1	8/1/01			TOLERANCES		M.S.L. 2006		1273-01750-DS-2	
ISSUE	DATE	A.N. NO.	CHK'D	ISSUE	DATE	A.N. NO.	CHK'D	UNLESS OTHERWISE STATED		PART NO.