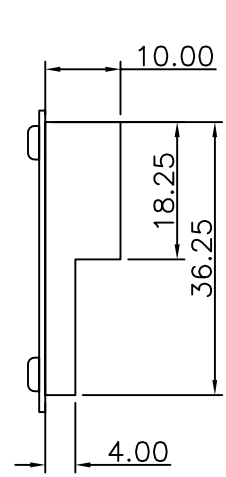
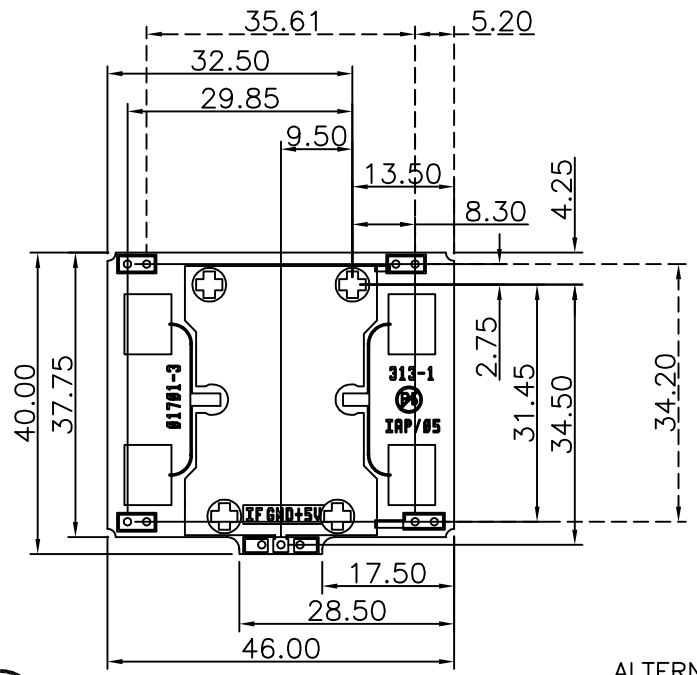
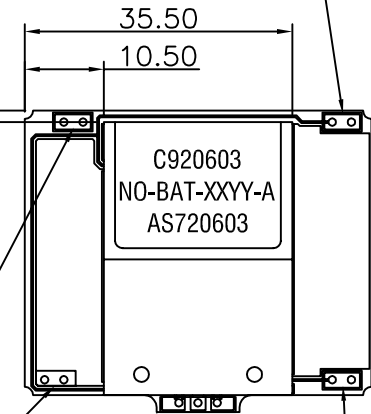


USED ON
MKTG APPROVED
Q.A. APPROVED
PROD. ENG. APPROVED
ELECT. ENG. APPROVED
MECH. ENG. APPROVED
PROJECT APPROVED
CHECKED



ALTERNATIVE POSITION FOR 2 WAY STANDARD 0.1" SPACED HEADER (+5V CONNECTION)



ALTERNATIVE POSITIONS FOR STANDARD 0.1" SPACED HEADERS (GROUND CONNECTION)

TAB TO FIT 3 WAY STANDARD 0.1" SPACED HEADER

ALTERNATIVE POSITION FOR 2 WAY STANDARD 0.1" SPACED HEADER (IF CONNECTION)



NOTES :

- UNIT CONTAINS ELECTROSTATIC SENSITIVE DEVICES. HANDLE IN ACCORDANCE WITH BS 5958
- ELECTRICAL CONNECTION CAN BE MADE VIA EITHER A 3 WAY HEADER TO THE TAB, +5V, GROUND AND IF. OR VIA AT LEAST THREE 2 WAY HEADERS. (FOUR HEADERS POSITIONS ARE AVAILABLE, +5V, IF AND TWO GROUND).

MATERIAL								ESTIMATED MASS (kg)		TITLE			DRAWN IN ACCORDANCE WITH BS 308		
PROTECTIVE FINISH								SCALE (ORIGINAL) 2 : 1		INTERFACE DRAWING			SECURITY CLASSIFICATION		
								DIMENSIONS IN MILLIMETRES		MDU 1700 SERIES					
								TOLERANCES		MICROWAVE SOLUTIONS LIMITED, HAMILTON HOUSE, 111 MARLOWES, HEMEL HEMPSTEAD, HERTS, HP1 1BB.			MEL DRAWING NO.		
								±0.13		© M.S.L. 2005			1273-01700-DS-2		
								UNLESS OTHERWISE STATED		NO PART OF THIS DRAWING MAY BE REPRODUCED OR TRANSMITTED IN ANY FORM OR BY ANY MEANS INCLUDING PHOTOCOPYING AND RECORDING WITHOUT THE PRIOR WRITTEN PERMISSION OF MICROWAVE SOLUTIONS LIMITED.			SHEET NO. OF		
ISSUE				DATE				PART NO.				C920603			