

Material:

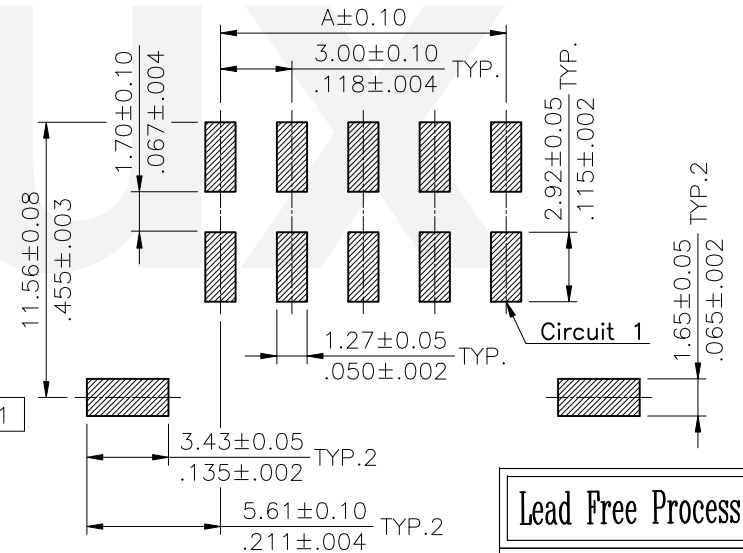
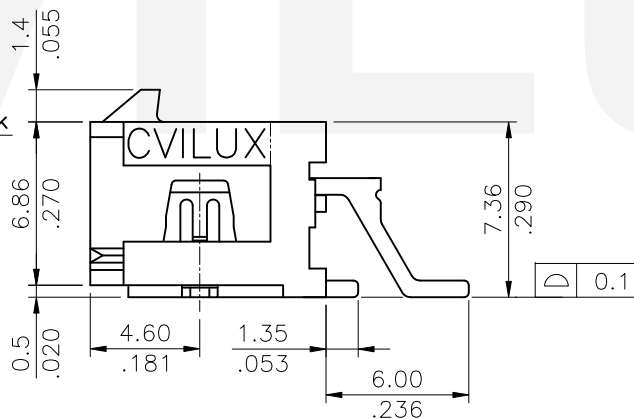
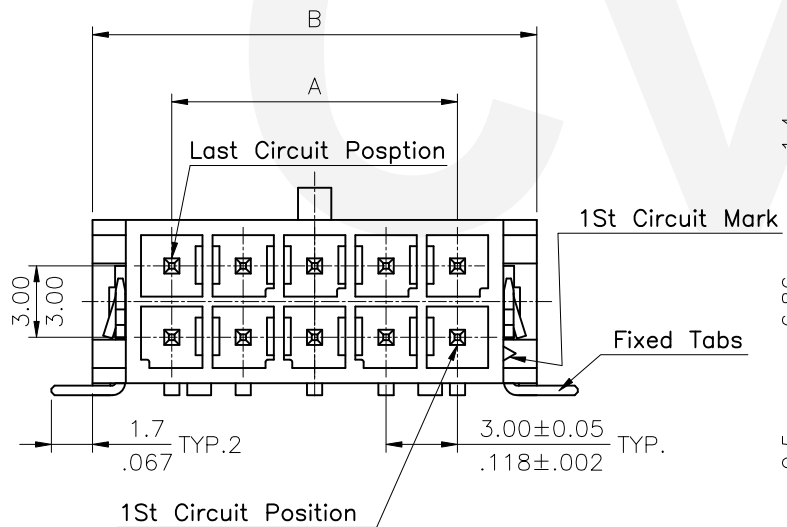
- ⑧ * Insulation: High Temperature Plastic, Color Black
- * Contact: Brass
- * Fixed Tabs: Brass with Matte Tin Plated

CIRCUITS	DIM. A	DIM. B
2	—	6.7(.264)
4	3.00(.118)	9.7(.382)
6	6.00(.236)	12.7(.500)
8	9.00(.354)	15.7(.618)
10	12.00(.472)	18.7(.736)
12	15.00(.591)	21.7(.854)
14	18.00(.709)	24.7(.972)
16	21.00(.827)	27.7(1.091)
18	24.00(.945)	30.7(1.209)
20	27.00(1.063)	33.7(1.327)
22	30.00(1.181)	36.7(1.445)
24	33.00(1.299)	39.7(1.563)

Ordering Code:

CP35 ** P * H S T - LF
 ① ② ③ ④ ⑤ ⑥ ⑦ ⑧

- ① Series No.
- ② No. of Circuits: 02~24
- ③ Contact type: P= Plug
- ④ Contact plated:
 - 1= Matte Tin Plated over Nickel
 - A= Selective Gold Flash Plated over 1.27μm(50μ") Nickel
 - B= Selective 0.38μm(15μ") Gold Plated over 1.27μm(50μ") Nickel
 - C= Selective 0.76μm(30μ") Gold Plated over 1.27μm(50μ") Nickel
- ⑤ H= Right angle type
- ⑥ Mount type : S= SMT Type
- ⑦ Other options: T= With Fixed Tabs
- ⑧ LF= For Lead Free IR Process

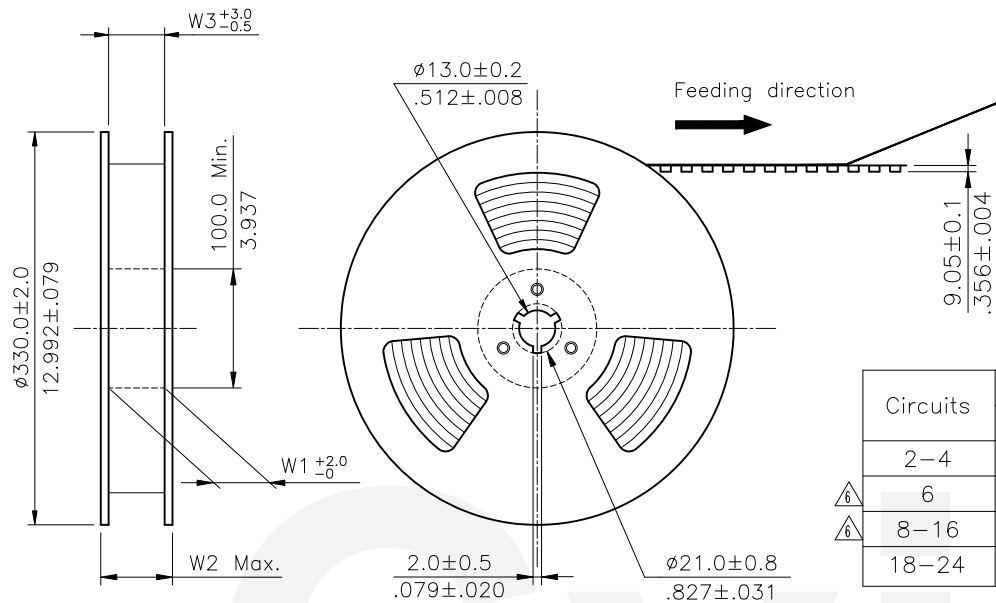


Recommended P.C. Board Layout

Lead Free Process
 RoHS Compliant

SYM	NAME	DATE	REVISIONS	APPROVED BY:	DATE	UNIT: mm / inch	TITLE: 3.00mm PITCH RIGHT ANGLE SMT TYPE POWER CONN.	瀚荃股份有限公司 CviLux Corporation	DRAWING NO.	PART NO.
⑧	Michelle	11/12-19'	ECRB11905/ECNT119313							CP3542SI
⑦	Sun	3/03-12'	ECR11051-1/ECN11229	DRAWN BY:	Michelle	11/19-19'	TOLERANCE UNLESS OTHERWISE SPECIFIED	MATERIAL: FINISH:	3 / 1	SHEET 1 OF 2
⑥	Steven	1/5-11'	ECN11002	ENGINEER:	Sun	11/19-19'	.X ± 0.30/.012 X' ± 1'			
⑤	Una	12/22-10'	ECN10407	CHECKED BY:	Eisley	12/13-19'	.XX ± 0.20/.008 X' ±			
				APPROVED BY:	Eisley	12/13-19'	.XXX ± 0.10/.004 XX' ±			

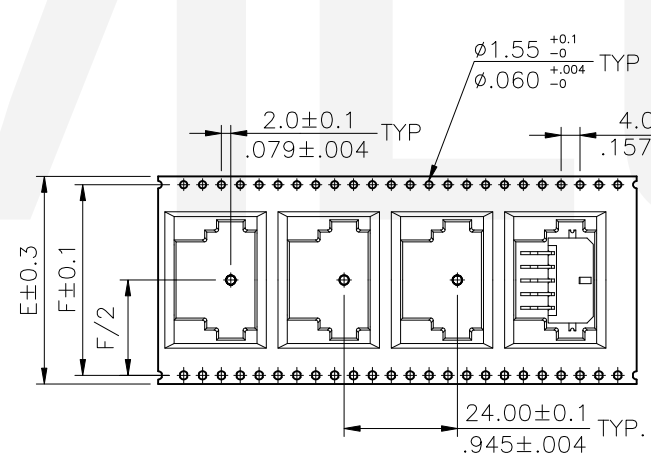
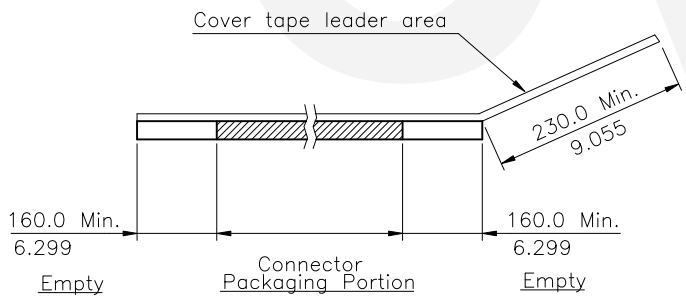
CVILUX
 2019.12.20
 ISSUED



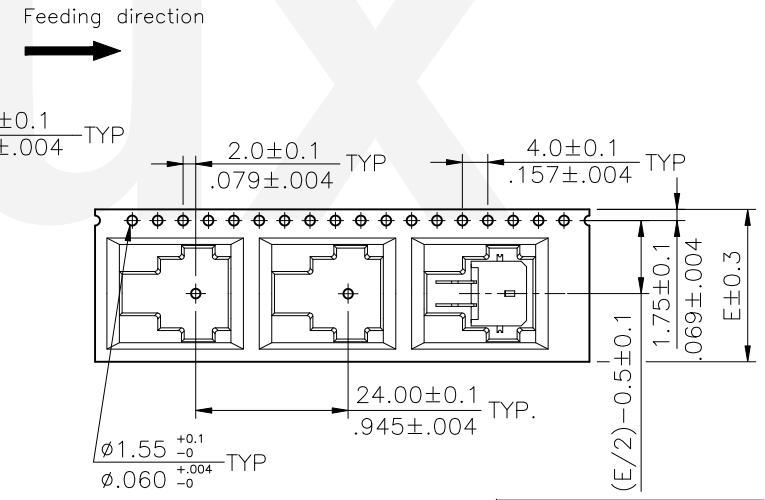
NOTE :

- △ * Reel Material : Corrugated Paper
- △ * Carrier Material : Transparent, Conductive Polystyrene Alloy
- * Cover Tape Material : Polyester
- * Cover Tape Peel Strength : 0.1N - 1.3N
- * Carrier camber is within 1mm in 250mm
- * All dimensions meet EIA-481-B requirements.
- * Quantity : 250 PCS/Reel

Circuits	Dimension					Packing (Reel/Carton)
	E	F	W1	W2	W3	
2-4	24.0(.945)	-	24.5(.965)	30.5(1.200)	24.5(.965)	9
6	32.0(1.260)	28.40(1.118)	32.5(1.280)	38.5(1.516)	32.5(1.280)	7
8-16	44.0(1.732)	40.40(1.596)	44.5(1.752)	50.5(1.988)	44.5(1.752)	5
18-24	56.0(2.205)	52.40(2.063)	56.5(2.224)	62.5(2.461)	56.5(2.224)	4



WIDTH : 32.4456 mm Carrier



WIDTH : 24 mm Carrier

RoHS Compliant

△8	Michelle	11/12-19'	ECRB11905/ECNT119313		DATE	UNIT: mm / inch	TITLE: 3.00mm PITCH RIGHT ANGLE SMT TYPE POWER CONN.	 瀚荃股份有限公司 CviLux Corporation	
△7	Sun	3/03-12'	ECR11051-1/ECN11229	DRAWN BY: Michelle	11/19-19'	TOLERANCE UNLESS OTHERWISE SPECIFIED	MATERIAL:		
△6	Steven	1/5-11'	ECN11002	ENGINEER: Sun	11/19-19'	.X ± .X' ± '1'	FINISH:		
△5	Una	12/22-10'	ECN10407	CHECKED BY: Eisley	12/13-19'	.XX ± .X' ±	DRAWING NO. CP3542SI		
SYM	NAME	DATE	REVISIONS	APPROVED BY: Eisley	12/13-19'	.XXX ± .XX' ±	PART NO. CP35**P**HST-LF		
								SCALE	SHEET 2 OF 2

CIVILUX
 2019.12.20
 ISSUED