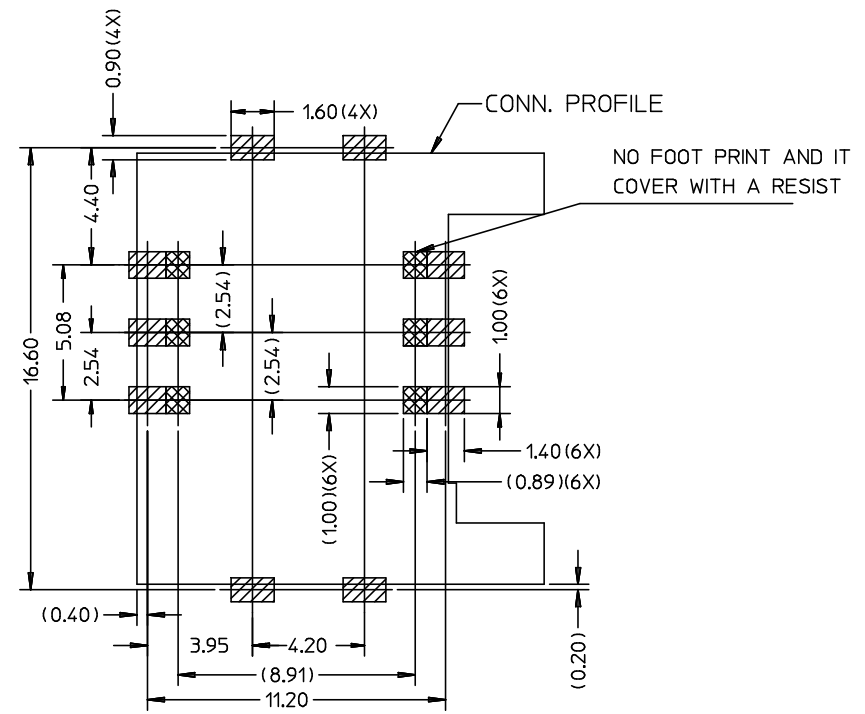
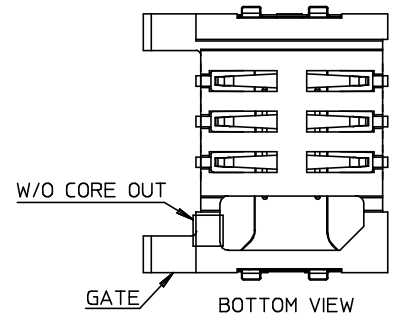
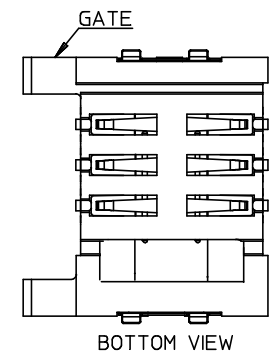
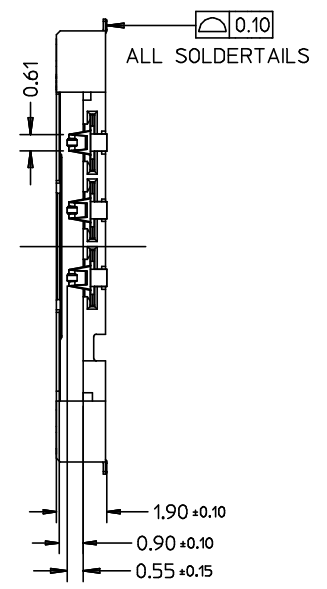
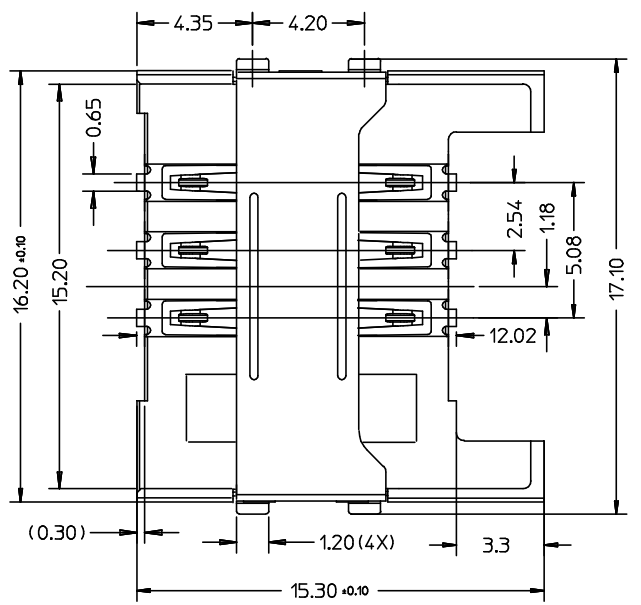


REV.	ECN.NO.	MODIFY.CONTENT	DATE
A		NEW	2011/10/31



RECOMMENDED PCB LAYOUT TOP VIEW (TOLERANCE ±0.05)

NOTES:

- MATERIAL:  
 HOUSING--THERMAL PLASTIC GLASS FILLED,UL 94V-0,BLACK  
 TERMINAL--COPPER ALLOY  
 SHELL--STAINLESS STEEL
- PLATING:  
 TERMINAL--SELECTED GOLD PLATED ON CONTACT AREA;  
 MATTE TIN PLATED ON SOLDER TAIL AREA  
 NICKEL UNDER PLATED OVER ALL  
 SHELL-- GOLD FLASH PLATED ON SOLDER TAIL AREA  
 NICKEL UNDER PLATED OVER ALL

GENERAL TOLERANCE		DWG NO.	A0909-001	APPD:	WIND	Scale	1:1
X,±0.45	x,°±5°	Title	2.0H 6PIN SIM CARD 连接器 外焊式	CHKD:		UNIT	mm
.X±0.35	.x,°±2°			DR:			
.XX±0.25	.xx,°±1°	Part NO.	SIM200-013A	Date	2011/10/31		
.XXX±0.15	.xxx,°±0.5°						
SHEET	1/1						