

## 80 mA High-Voltage Automotive LDO

### Features

- AEC-Q100 with Grade 0 and PPAP Capable
- Wide Input Voltage Range: 4.5V to 45V
  - Under Voltage Lock Out: 2.8V typical
- Extended Working Temperature Range: -40°C to +150°C
- Standard Output Regulated Voltages ( $V_R$ ): 3.3V and 5.0V
  - Tolerance  $\pm 2\%$
- Low Quiescent Supply Current: 25  $\mu$ A typical
- Output Current Capability: 80 mA typical
- Stable with 1  $\mu$ F Ceramic Output Capacitor
- Short Circuit Protection
- Thermal Shutdown Protection:
  - +180°C typical
  - Hysteresis: 22°C typical
- High PSRR:
  - 70 dB @ 1 kHz typical
- Available in the Following Packages:
  - 3-Lead SOT-23
  - 3-Lead SOT-223

### Description

The MCP1799 is a high-voltage, low-dropout (LDO) regulator, capable of generating 80 mA output current. The input voltage range of 4.5V to 45V makes it ideal in 12V to 36V power rails and in high-voltage battery packs.

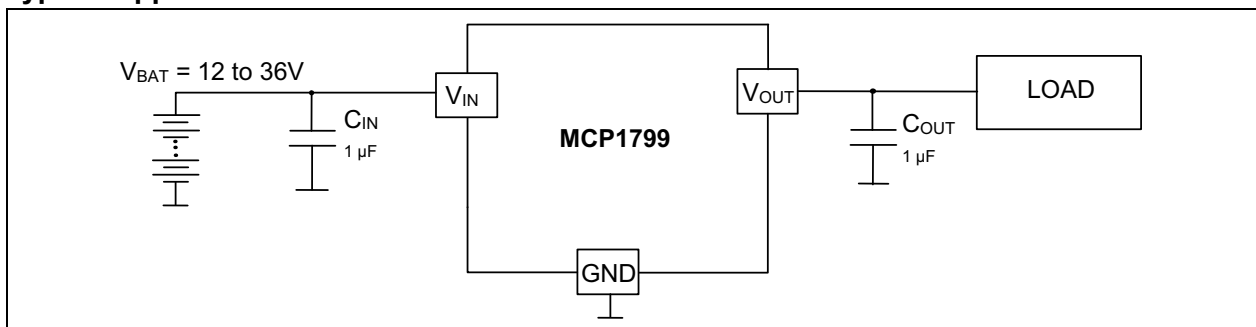
The MCP1799 comes in two standard fixed output-voltage versions: 3.3V and 5.0V. The regulator output is stable with 1  $\mu$ F ceramic capacitors. The device is protected from short circuit events by the current limit function and from over heating by means of thermal shutdown protection.

The device itself has a low ground current of 45  $\mu$ A typical, while delivering maximum output current of 80 mA. Without load the device consumes 25  $\mu$ A typical.

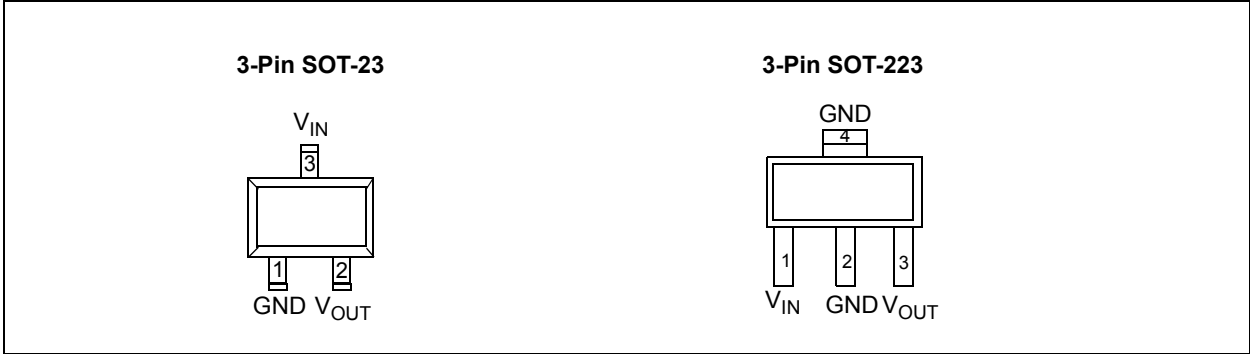
### Applications

- Automotive Electronics
- Microcontroller Biasing
- Cordless Power Tools, Home Appliances  
E-bikes, drones, etc.
- Smoke Detectors and Other Alarm Sensors

### Typical Application



Package Types



## 1.0 ELECTRICAL CHARACTERISTICS

### Absolute Maximum Ratings †

|   |                                      |
|---|--------------------------------------|
| Input Voltage .....                         | +66.0V                               |
| Maximum Voltage on $V_{IN}$ .....           | (GND - 0.3V) to ( $V_{IN}+0.3V$ )    |
| Maximum Voltage on $V_{OUT}$ .....          | (GND - 0.3V) to 5.5V                 |
| Internal Power Dissipation .....            | Internally-Limited ( <b>Note 3</b> ) |
| Output Short Circuit Current.....           | Continuous                           |
| Storage Temperature .....                   | -55°C to +175°C                      |
| Maximum Junction Temperature, $T_J$ .....   | +185°C                               |
| Operating Junction Temperature, $T_J$ ..... | -40°C to +150°C                      |
| ESD protection on all pins:                 |                                      |
| HBM .....                                   | ≥ 4 kV                               |
| CDM .....                                   | ≥ 750V                               |
| MM .....                                    | ≥ 400V                               |

† **Notice:** Stresses above those listed under “Absolute Maximum Ratings” may cause permanent damage to the device. This is a stress rating only and functional operation of the device at those or any other conditions above those indicated in the operational listings of this specification is not intended. Exposure to maximum rating conditions for extended periods may affect device reliability.

### AC/DC CHARACTERISTICS

**Electrical Specifications:** Unless otherwise noted,  $V_{IN} = 6.2V$  (for  $V_R = 5V$ ),  $V_{IN} = 4.5V$  (for  $V_R = 3.3V$ ),  $I_{OUT} = 1\text{ mA}$ ,  $C_{IN} = C_{OUT} = 1.0\text{ }\mu\text{F}$  ceramic (X7R),  $T_A = +25^\circ\text{C}$ . **Boldface** type applies for ambient temperatures  $T_A$  of  $-40^\circ\text{C}$  to  $+150^\circ\text{C}$ .

| Parameters                       | Sym.  | Min.                        | Typ.       | Max.                        | Units         | Conditions   |
|----------------------------------|---|-----------------------------|------------|-----------------------------|---------------|--|
| Input Operating Voltage          | $V_{IN}$  | <b>4.5</b>                  | —          | <b>45</b>                   | V             | $V_R = 3.3V$ , $I_{OUT} \leq 80\text{ mA}$   |
|                                  |   | <b>6.2</b>                  | —          | <b>45</b>                   |               | $V_R = 5V$ , $I_{OUT} \leq 80\text{ mA}$   |
| Input Voltage to Turn On Output  | $V_{UVLO\_High}$  | —                           | 2.8        | —                           | V             | rising $V_{IN}$ , $V_{IN} = 0$ to $V_{IN(MIN)}$  |
| Input Voltage to Turn Off Output | $V_{UVLO\_Low}$   | —                           | 2.6        | —                           |               | falling $V_{IN}$ , $V_{IN} = V_{IN(MIN)}$ to 0   |
| Output Voltage Range             | $V_{OUT}$   | <b><math>V_R-2\%</math></b> | $V_R$      | <b><math>V_R+2\%</math></b> |               | <b>(Note 1)</b>  |
| Input Quiescent Current          | $I_Q$   | —                           | 25         | <b>45</b>                   | $\mu\text{A}$ | $I_{OUT} = 0\text{ A}$   |
| Ground Current                   | $I_{GND}$   | —                           | 45         | <b>110</b>                  | $\mu\text{A}$ | $I_{OUT} = 80\text{ mA}$   |
| Maximum Output Current           | $I_{OUT}$   | <b>80</b>                   | —          | —                           | mA            | <b>(Note 3)</b>  |
| Line Regulation                  | $\frac{\Delta V_{OUT}}{(V_{OUT} \times \Delta V_{IN})}$ | <b>-0.05</b>                | $\pm 0.02$ | <b>+0.05</b>                | %/V           | $4.5V \leq V_{IN} \leq 45V$ for $V_R = 3.3V$<br>$6.2V \leq V_{IN} \leq 45V$ for $V_R = 5V$ |

**Note 1:**  $V_R$  is the nominal regulator output voltage.

**2:** Load regulation is measured at a constant ambient temperature using a DC current source. Load regulation is tested over a load range 1 mA to the maximum specified output current.

**3:** The maximum allowable power dissipation is a function of ambient temperature, the maximum allowable junction temperature and the thermal resistance from junction to air. (i.e.,  $T_A$ ,  $T_J$ ,  $\theta_{JA}$ ). See [Section “Temperature Specifications”](#) for more information. Exceeding the maximum allowable power dissipation will cause the device operating junction temperature to exceed the maximum  $+150^\circ\text{C}$  rating. Sustained junction temperatures above  $+150^\circ\text{C}$  might impact the device reliability.

**4:** Dropout voltage is defined as the input-to-output voltage differential at which the output voltage drops 2% below its nominal value that was measured with an input voltage of  $V_{IN} = V_R + 1.2V$ .

**5:** PSRR measurement is carried out with  $C_{IN} = 0\text{ }\mu\text{F}$ ,  $V_{IN} = 7V$ ,  $I_{OUT} = 50\text{ mA}$ ,  $V_{INAC} = 0.4V_{pkpk}$

**6:** Not production tested.

## AC/DC CHARACTERISTICS (CONTINUED)

**Electrical Specifications:** Unless otherwise noted,  $V_{IN} = 6.2V$  (for  $V_R = 5V$ ),  $V_{IN} = 4.5V$  (for  $V_R = 3.3V$ ),  $I_{OUT} = 1\text{ mA}$ ,  $C_{IN} = C_{OUT} = 1.0\text{ }\mu\text{F}$  ceramic (X7R),  $T_A = +25^\circ\text{C}$ . **Boldface** type applies for ambient temperatures  $T_A$  of  $-40^\circ\text{C}$  to  $+150^\circ\text{C}$ .

| Parameters                          | Sym.                     | Min.        | Typ.      | Max.        | Units            | Conditions   |
|-------------------------------------|--------------------------|-------------|-----------|-------------|------------------|--|
| Load Regulation                     | $\Delta V_{OUT}/V_{OUT}$ | <b>-0.8</b> | $\pm 0.4$ | <b>+0.8</b> | %                | $I_{OUT} = 1\text{ mA}$ to $80\text{ mA}$<br>( <b>Note 2</b> )   |
| Output Current Limit                | $I_{OUT\_CL}$            | —           | 150       | <b>215</b>  | mA               | $V_{IN} = V_{IN(MIN)}$ , $V_{OUT} > 0.1V$ ,<br>( <b>Note 6</b> )   |
| Output Peak Current Limit           | $I_{OUT\_PCL}$           |             | 1700      | <b>2500</b> | mA               |  |
| Dropout Voltage                     | $V_{DROPOUT}$            | —           | 300       | <b>1100</b> | mV               | $I_{OUT} = 80\text{ mA}$ ( <b>Note 4</b> )   |
| AC Performance                      |                          |             |           |             |                  |  |
| Output Noise                        | $e_N$                    | —           | 500       | —           | $\mu\text{Vrms}$ | $f = 100\text{ Hz}$ to $100\text{ kHz}$<br>$V_{IN} = 12V$ , $V_R = 5V$<br>$I_{OUT} = 10\text{ mA}$ ( <b>Note 6</b> ) |
| Power Supply Ripple Rejection Ratio | PSRR                     | —           | 70        | —           | dB               | $f = 100\text{ Hz}$ ( <b>Note 5</b> ) ( <b>Note 6</b> )  |
|                                     |                          |             | 70        |             |                  | $f = 1\text{ kHz}$ ( <b>Note 5</b> ) ( <b>Note 6</b> )   |
|                                     |                          |             | 35        |             |                  | $f = 100\text{ kHz}$ ( <b>Note 5</b> ) ( <b>Note 6</b> )   |

**Note 1:**  $V_R$  is the nominal regulator output voltage.

**2:** Load regulation is measured at a constant ambient temperature using a DC current source. Load regulation is tested over a load range  $1\text{ mA}$  to the maximum specified output current.

**3:** The maximum allowable power dissipation is a function of ambient temperature, the maximum allowable junction temperature and the thermal resistance from junction to air. (i.e.,  $T_A$ ,  $T_J$ ,  $\theta_{JA}$ ). See [Section "Temperature Specifications"](#) for more information. Exceeding the maximum allowable power dissipation will cause the device operating junction temperature to exceed the maximum  $+150^\circ\text{C}$  rating. Sustained junction temperatures above  $+150^\circ\text{C}$  might impact the device reliability.

**4:** Dropout voltage is defined as the input-to-output voltage differential at which the output voltage drops 2% below its nominal value that was measured with an input voltage of  $V_{IN} = V_R + 1.2V$ .

**5:** PSRR measurement is carried out with  $C_{IN} = 0\text{ }\mu\text{F}$ ,  $V_{IN} = 7V$ ,  $I_{OUT} = 50\text{ mA}$ ,  $V_{INAC} = 0.4V_{pkpk}$

**6:** Not production tested.

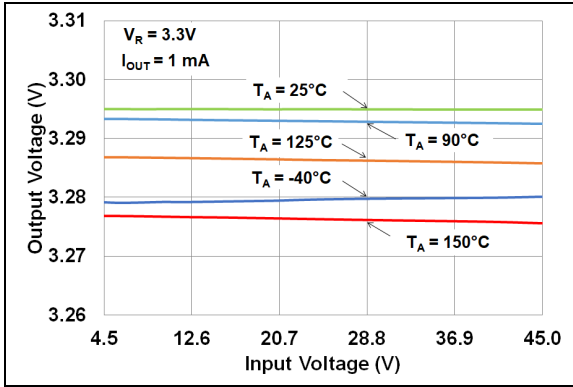
## TEMPERATURE SPECIFICATIONS

| Parameters                         | Sym.            | Min. | Typ. | Max. | Units | Conditions   |
|------------------------------------|-----------------|------|------|------|-------|--|
| <b>Temperature Ranges</b>          |                 |      |      |      |       |  |
| Thermal Shutdown                   | $T_{SD}$        | —    | 180  | —    | °C    | Rising Temperature                                     |
| Thermal Shutdown Hysteresis        | $\Delta T_{SD}$ | —    | 22   | —    | °C    | Falling Temperature                                    |
| <b>Thermal Package Resistances</b> |                 |      |      |      |       |  |
| Thermal Resistance,<br>SOT23-3LD   | $\theta_{JA}$   | —    | 212  | —    | °C/W  | JEDEC® standard 4 layer FR4 board<br>with 1 oz. copper |
|                                    | $\theta_{JC}$   | —    | 139  | —    |       |  |
| Thermal Resistance,<br>SOT223-3LD  | $\theta_{JA}$   | —    | 70   | —    |       |  |
|                                    | $\theta_{JC}$   | —    | 60   | —    |       |  |

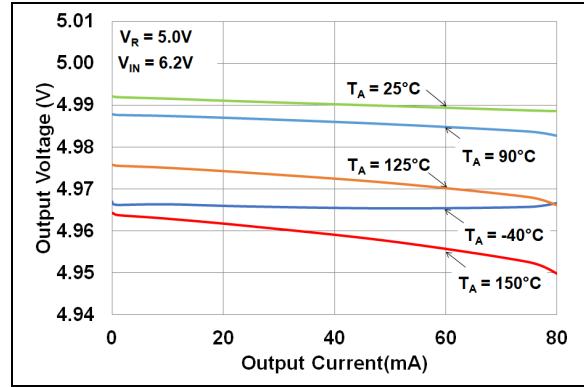
## 2.0 TYPICAL PERFORMANCE CURVES

**Note:** The graphs and tables provided following this note are a statistical summary based on a limited number of samples and are provided for informational purposes only. The performance characteristics listed herein are not tested or guaranteed. In some graphs or tables, the data presented may be outside the specified operating range (e.g., outside specified power supply range) and therefore outside the warranted range.

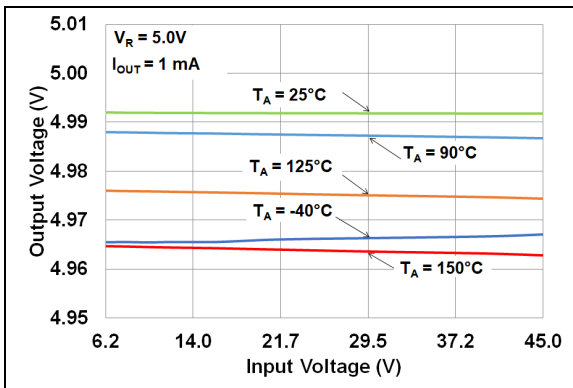
**Note:** Unless otherwise indicated,  $C_{IN} = C_{OUT} = 1 \mu\text{F}$  ceramic (X7R),  $I_{OUT} = 1 \text{ mA}$ ,  $T_A = +25^\circ\text{C}$ ,  $V_{IN} = V_R + 1.2\text{V}$ .



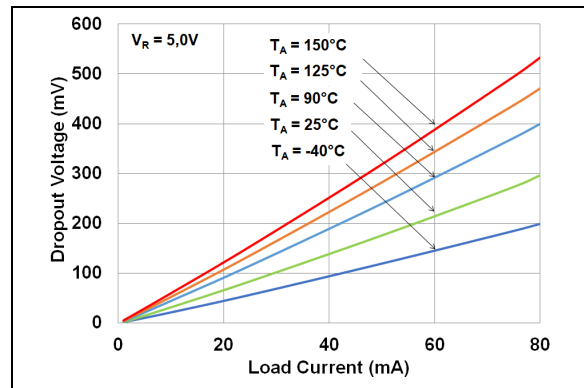
**FIGURE 2-1:** Output Voltage vs. Input Voltage ( $V_R = 3.3\text{V}$ ).



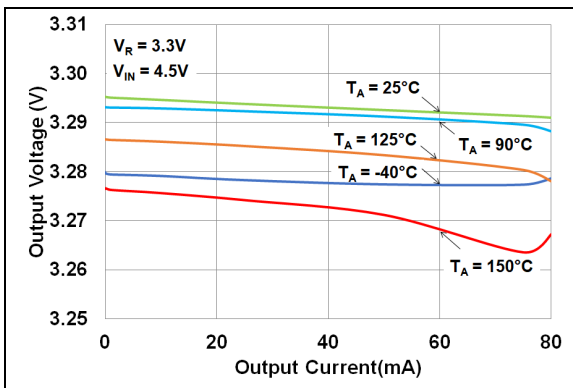
**FIGURE 2-4:** Output Voltage vs. Output Current ( $V_R = 5.0\text{V}$ ).



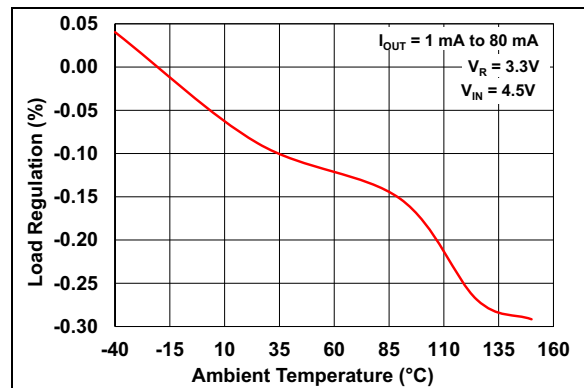
**FIGURE 2-2:** Output Voltage vs. Input Voltage ( $V_R = 5.0\text{V}$ ).



**FIGURE 2-5:** Dropout Voltage vs. Output Current.

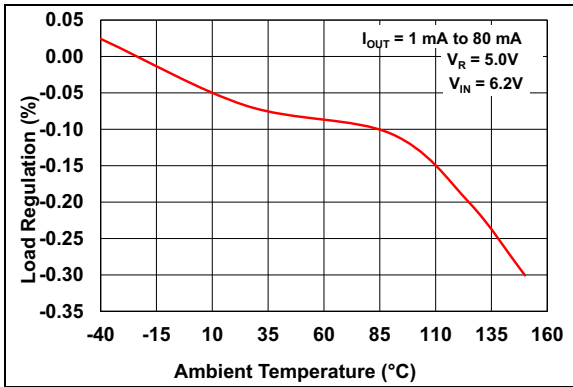


**FIGURE 2-3:** Output Voltage vs. Output Current ( $V_R = 3.3\text{V}$ ).

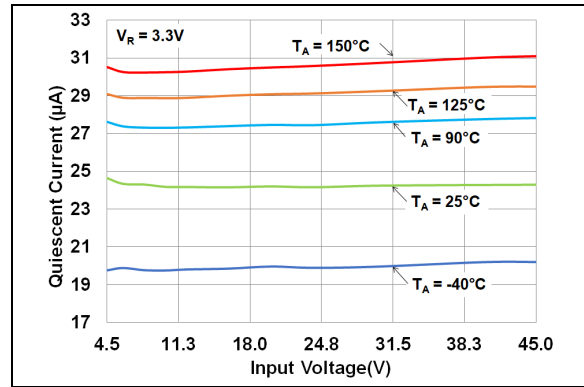


**FIGURE 2-6:** Load Regulation vs. Ambient Temperature ( $V_R = 3.3\text{V}$ ).

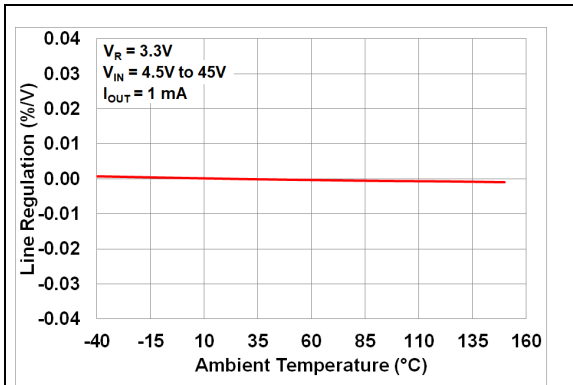
**Note:** Unless otherwise indicated,  $C_{IN} = C_{OUT} = 1 \mu\text{F}$  ceramic (X7R),  $I_{OUT} = 1 \text{ mA}$ ,  $T_A = +25^\circ\text{C}$ ,  $V_{IN} = V_R + 1.2\text{V}$ .



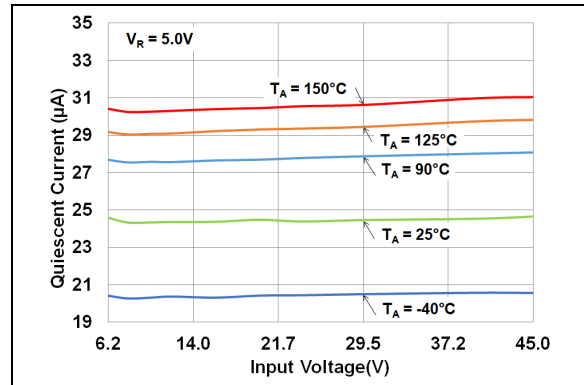
**FIGURE 2-7:** Load Regulation vs. Ambient Temperature ( $V_R = 5.0\text{V}$ ).



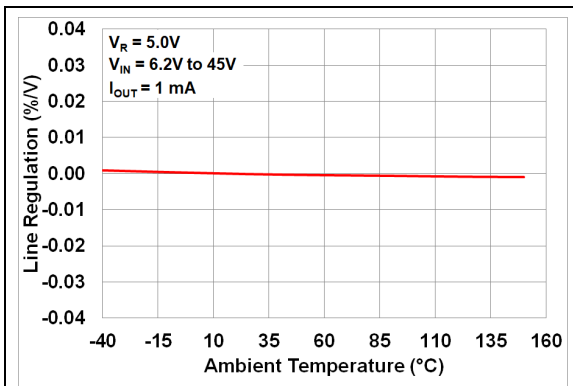
**FIGURE 2-10:** Quiescent Current vs. Input Voltage ( $V_R = 3.3\text{V}$ ).



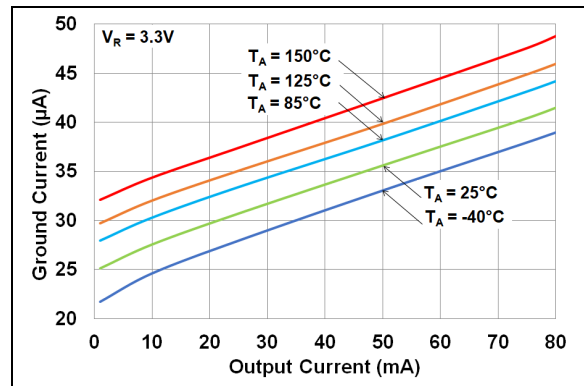
**FIGURE 2-8:** Line Regulation vs. Ambient Temperature ( $V_R = 3.3\text{V}$ ).



**FIGURE 2-11:** Quiescent Current vs. Input Voltage ( $V_R = 5.0\text{V}$ ).

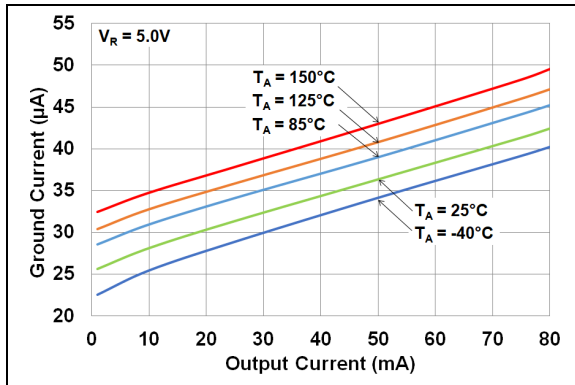


**FIGURE 2-9:** Line Regulation vs. Ambient Temperature ( $V_R = 5.0\text{V}$ ).

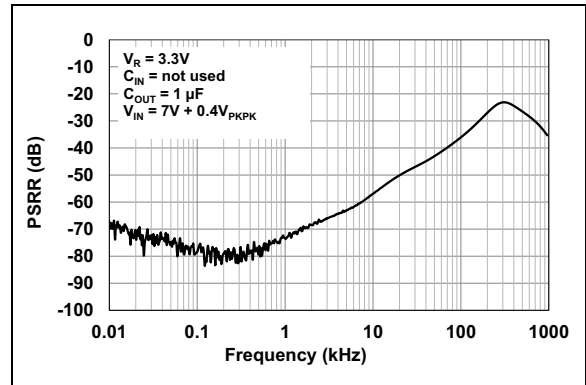


**FIGURE 2-12:** Ground Current vs. Output Current ( $V_R = 3.3\text{V}$ ).

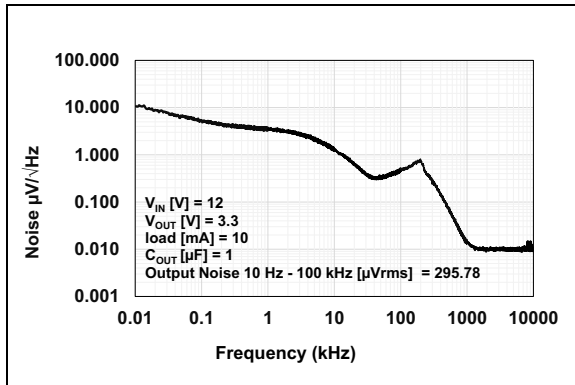
**Note:** Unless otherwise indicated,  $C_{IN} = C_{OUT} = 1 \mu\text{F}$  ceramic (X7R),  $I_{OUT} = 1 \text{ mA}$ ,  $T_A = +25^\circ\text{C}$ ,  $V_{IN} = V_R + 1.2\text{V}$ .



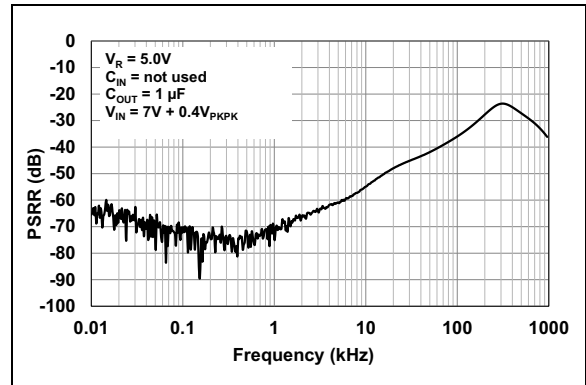
**FIGURE 2-13:** Ground Current vs. Output Current ( $V_R = 5.0\text{V}$ ).



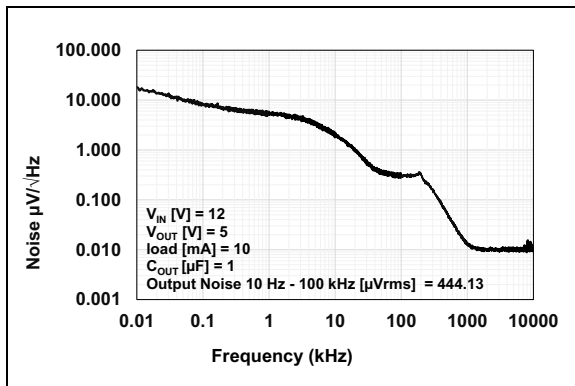
**FIGURE 2-16:** Power Supply Ripple Rejection Ratio vs. Frequency ( $V_R = 3.3\text{V}$ ).



**FIGURE 2-14:** Noise vs. Frequency ( $V_R = 3.3\text{V}$ ).



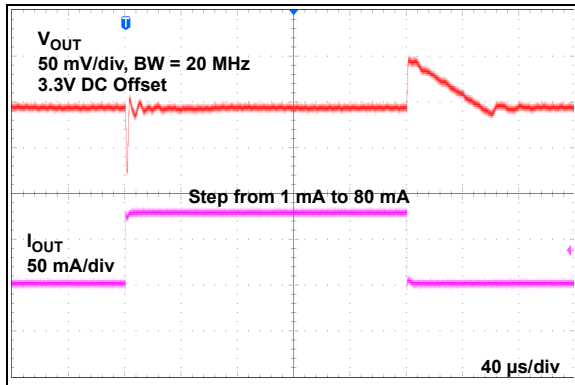
**FIGURE 2-17:** Power Supply Ripple Rejection Ratio vs. Frequency ( $V_R = 5.0\text{V}$ ).



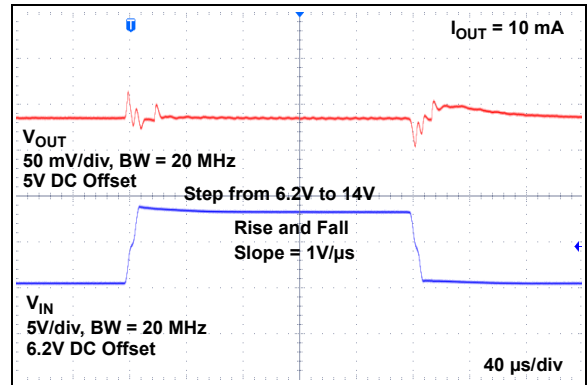
**FIGURE 2-15:** Noise vs. Frequency ( $V_R = 5.0\text{V}$ ).



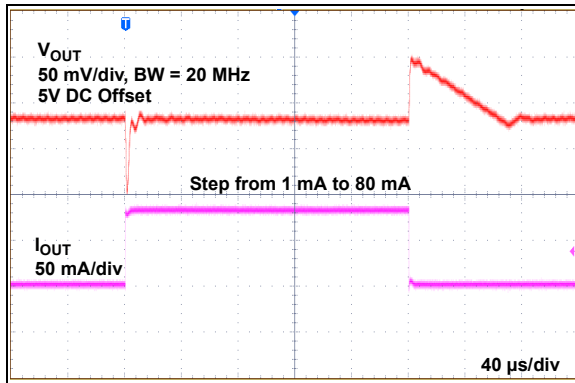
**Note:** Unless otherwise indicated,  $C_{IN} = C_{OUT} = 1 \mu\text{F}$  ceramic (X7R),  $I_{OUT} = 1 \text{ mA}$ ,  $T_A = +25^\circ\text{C}$ ,  $V_{IN} = V_R + 1.2\text{V}$ .



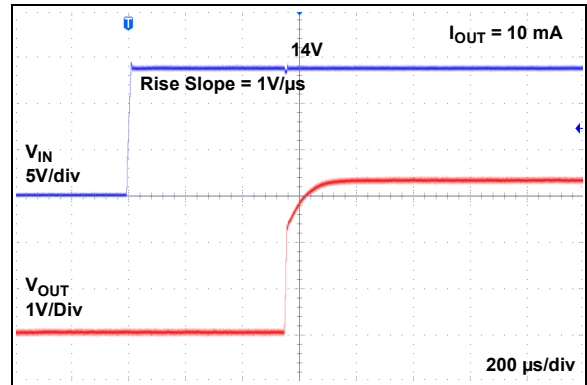
**FIGURE 2-18:** Load Step Response ( $V_R = 3.3\text{V}$ ).



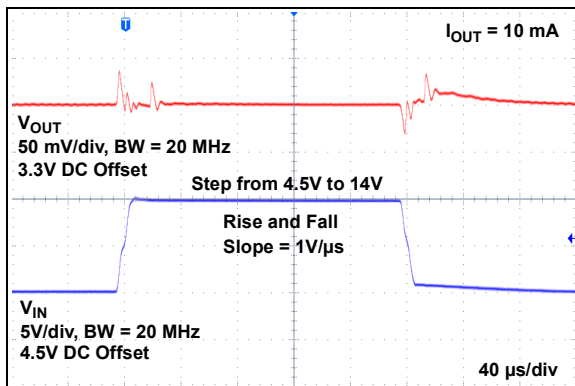
**FIGURE 2-21:** Line Step Response ( $V_R = 5.0\text{V}$ ).



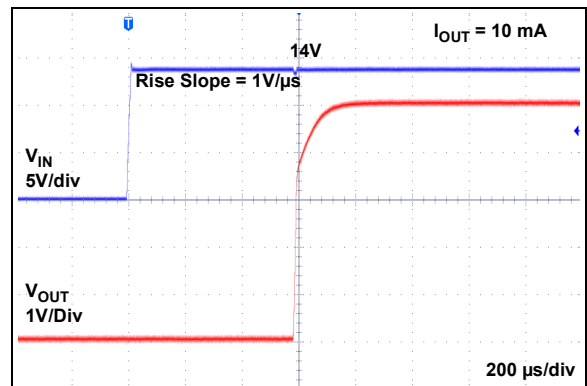
**FIGURE 2-19:** Load Step Response ( $V_R = 5.0\text{V}$ ).



**FIGURE 2-22:** Start-up ( $V_R = 3.3\text{V}$ ).

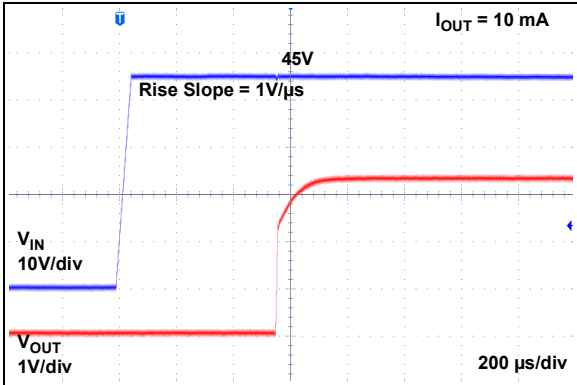


**FIGURE 2-20:** Line Step Response ( $V_R = 3.3\text{V}$ ).

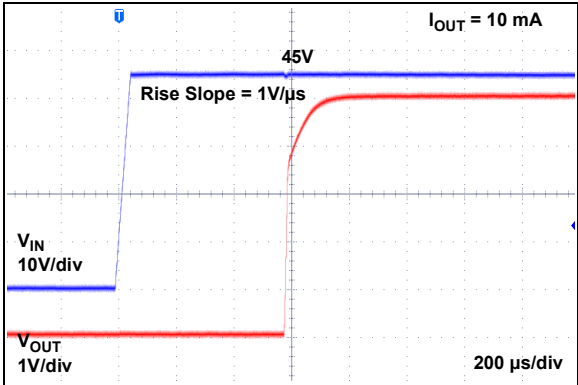


**FIGURE 2-23:** Start-up ( $V_R = 5.0\text{V}$ ).

**Note:** Unless otherwise indicated,  $C_{IN} = C_{OUT} = 1 \mu\text{F}$  ceramic (X7R),  $I_{OUT} = 1 \text{ mA}$ ,  $T_A = +25^\circ\text{C}$ ,  $V_{IN} = V_R + 1.2\text{V}$ .



**FIGURE 2-24:** Start-up ( $V_R = 3.3\text{V}$ ).



**FIGURE 2-25:** Start-up ( $V_R = 5\text{V}$ ).

### 3.0 PIN DESCRIPTION

The descriptions of the pins are listed in [Table 3-1](#).

**TABLE 3-1: PIN FUNCTION TABLE**

| SOT 23-3 | SOT 223-3 | Symbol    | Description                                      |
|----------|-----------|-----------|--|
| 1        | 2         | GND       | Ground   |
| 2        | 3         | $V_{OUT}$ | Regulated Output Voltage $V_R$                   |
| 3        | 1         | $V_{IN}$  | Input Voltage Supply                             |
| —        | 4         | TAB       | Exposed Thermal Pad, connected internally to GND |

#### 3.1 Ground Pin (GND)

For optimal noise and Power Supply Rejection Ratio (PSRR) performance, the GND pin of the LDO should be tied to an electrically “quiet” circuit ground. This will ensure the LDO power supply rejection ratio and noise device performance. The GND pin of the LDO conducts only ground current, so a wide trace is not required. For applications that have switching or noisy inputs, tie the GND pin to the return of the output capacitor. Ground planes help lower the inductance and as a result, reduce the effect of fast current transients.

#### 3.2 Regulated Output Voltage Pin ( $V_{OUT}$ )

The  $V_{OUT}$  pin is the regulated output voltage  $V_R$  of the LDO. A minimum output capacitance of 1  $\mu$ F is required for the LDO to ensure the stability in all the typical applications. The MCP1799 is stable with ceramic capacitors. See [Section 4.2, Output Capacitance Requirements](#) for output capacitor selection guidance.

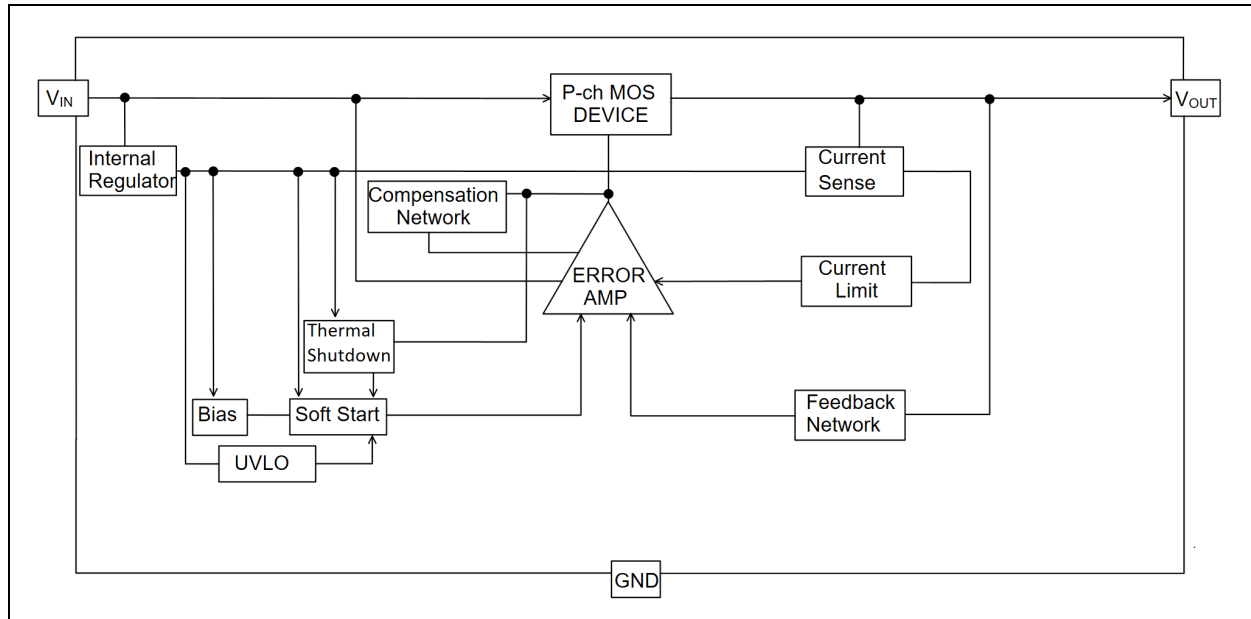
#### 3.3 Input Voltage Supply Pin ( $V_{IN}$ )

Connects the voltage source to  $V_{IN}$ . If the input voltage source is located several inches away from the LDO, or the input source is a battery, it is recommended that an input capacitor be used. A typical input capacitance value of 1  $\mu$ F to 10  $\mu$ F should be sufficient for most applications. The type of capacitor used is ceramic. However, the low ESR characteristics of the ceramic capacitor will yield better noise and PSRR performance at high frequency.

## 4.0 DETAILED DESCRIPTION

### 4.1 Device Overview

The MCP1799 is an AEC-Q100 qualified LDO, capable of delivering 80 mA of current, over the entire operating temperature range. The part is stable with a minimum 1  $\mu$ F output ceramic capacitor, has current limit protection and extended working temperature range:  $-40^{\circ}$  to  $+150^{\circ}$ . The device also features a PSRR of 70 dB typical for 100 Hz frequency.



**FIGURE 4-1:** Simplified Functional Block Diagram.

### 4.2 Output Capacitance Requirements

The MCP1799 requires a minimum output capacitance of 1  $\mu$ F for output voltage stability. The output capacitor should be located as close to the LDO output as it is practical. The device is designed to work with low ESR ceramic capacitors. Ceramic materials X8R\L or X7R have low temperature coefficients and are well within the acceptable ESR range required. A typical 1  $\mu$ F X7R 0805 capacitor has an ESR of 50 m $\Omega$ . It is recommended to use an appropriate voltage rating capacitor, and the derating of the capacitance as a function of voltage and temperature needs to be taken into account. For improved transitory behavior over the entire temperature range, a 2.2  $\mu$ F output capacitor is recommended. The ceramic capacitor type should be X7R or X8R/L because their dielectrics are rated for use with temperatures between  $-40^{\circ}$ C to  $+125^{\circ}$  or  $-55^{\circ}$ C to  $+150^{\circ}$ C, respectively.

### 4.3 Input Capacitance Requirements

Low input-source impedance is necessary for the LDO output to operate properly. When operating from batteries, or in applications with long lead length ( $>10$  inches) between the input source and the LDO, adding input capacitance is recommended. A minimum of 1  $\mu$ F to 10  $\mu$ F of capacitance is sufficient for most applications. Given the high input voltage capability of the MCP1799, of up to 45V DC, it is recommended to use an appropriate voltage rating capacitor, and the derating of the capacitance as a function of voltage and temperature needs to be taken into account. The ceramic capacitor type should be X7R or X8R\L because their dielectrics are rated for use with temperatures between  $-40^{\circ}$ C to  $+125^{\circ}$ C or  $-55^{\circ}$ C to  $+150^{\circ}$ C, respectively.

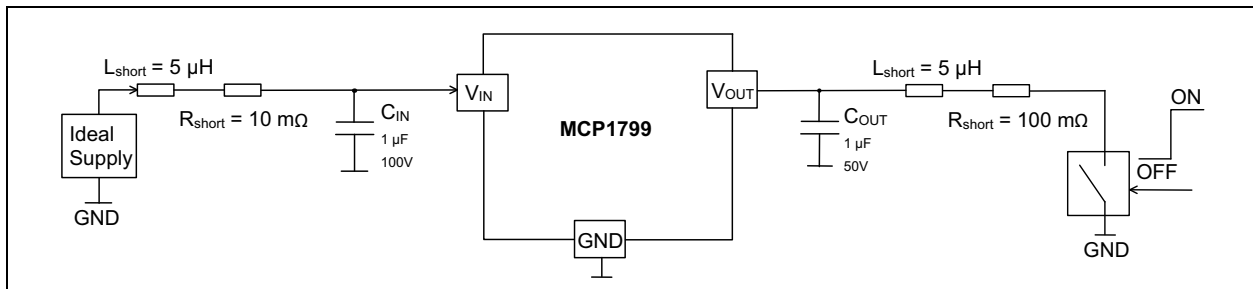
## 4.4 Circuit Protection

The MCP1799 features current limit protection during an output short circuit event that occurs in normal operation.

The MCP1799 was tested using the AEC-Q100 test set-up in Figure 4-2. The testing conditions require the use of very high parasitic inductances on the input and output. For cases like this, it is required to prevent the output voltage going below ground with more than 1V.

Note that the  $V_{OUT}$  pin can withstand a maximum of  $-0.3V_{DC}$  (see [Absolute Maximum Ratings](#) †). This can be achieved by placing a Schottky diode with the cathode to  $V_{OUT}$  and anode to ground.

Thermal shutdown functionality is present on the device and adds to the protection features of the part. Thermal shutdown gets triggered at typical value of  $+180^{\circ}\text{C}$  and has a typical hysteresis of  $22^{\circ}\text{C}$ .

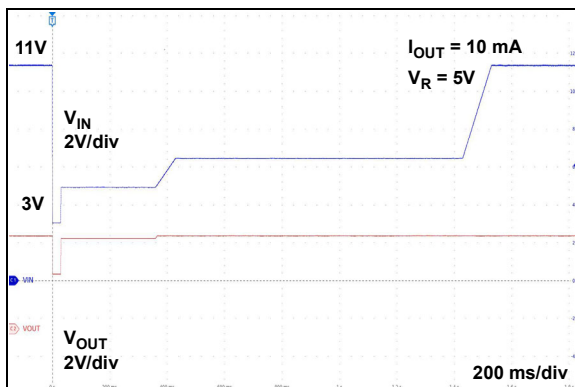


**FIGURE 4-2:** Short Circuit Test Set-Up.

## 4.5 Dropout Operation

For  $V_R = 5\text{V}$ , MCP1799 can be found operating in a dropout condition (the minimum input voltage is 4.5V), which can happen during a cold crank event, when the supply voltage can drop down to 3V. It is preferred to make sure that the part does not operate in dropout during DC operation so that the AC performance is maintained.

The device has a dropout voltage of approximately 300 mV at full load and room temperature, but because of the extended temperature range at  $+150^{\circ}\text{C}$ , due to increased leakage at hot, it reaches up to 1100 mV. For a 5V output, the minimum supply voltage required in order to have a regulated output, within specification, is 6.2V.



**FIGURE 4-3:** Line Step from Dropout.

## 4.6 Input UVLO

On the rising edge of the  $V_{IN}$  input, the internal architecture adds 550  $\mu\text{s}$  delay before allowing the regulator output to turn on. After this 550  $\mu\text{s}$  delay, the regulator starts charging the load capacitor as the output rises from 0V to its regulated value. The charging current amplitude will be limited by the short circuit current value of the device.

The UVLO block helps prevent false start-ups, during the power-up sequence, until the input voltage reaches a value of 2.8V. The minimum input voltage required for normal operation is 4.5V.

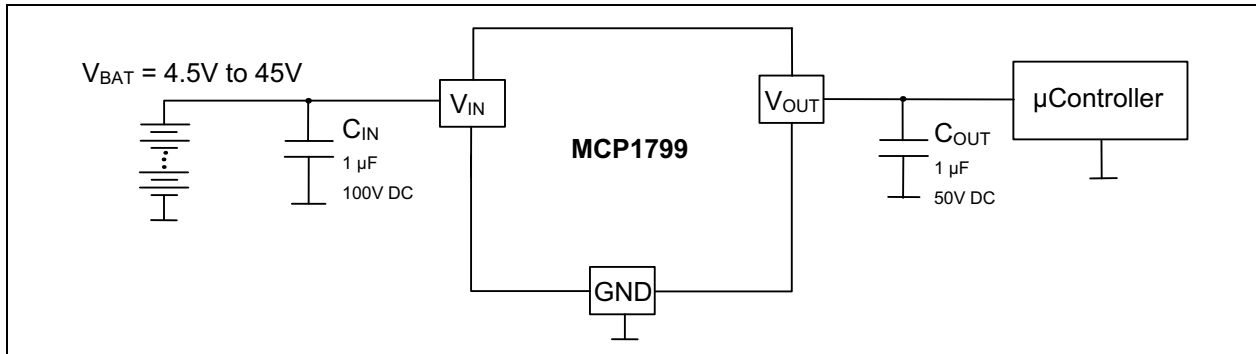
## 4.7 Package and Device Qualifications

The MCP1799 are AEC-Q100, grade 0 and PPAP capable. The Grade 0 qualification allows the MCP1799 to be used within an extended temperature range, from  $-40^{\circ}\text{C}$  to  $+150^{\circ}\text{C}$ .

## 5.0 APPLICATION INFORMATION

### 5.1 Typical Application

The MCP1799 is used for applications that require high input voltage and are prone to high transient voltages on the input.



**FIGURE 5-1:** Typical Application Circuit using a High Voltage Battery Pack.

### 5.2 Power Calculations

#### 5.2.1 POWER DISSIPATION

The internal power dissipation within the MCP1799 is a function of input voltage, output voltage, output current and quiescent current. Equation 5-1 can be used to calculate the internal power dissipation for the LDO.

#### EQUATION 5-1:

$$P_{LDO} = (V_{IN(MAX)} - V_{OUT(MIN)}) \times I_{OUT(MAX)}$$

Where:

$P_{LDO}$  = Internal power dissipation of the LDO pass device

$V_{IN(MAX)}$  = Maximum input voltage

$V_{OUT(MIN)}$  = LDO minimum output voltage

$I_{OUT(MAX)}$  = Maximum output current

In addition to the LDO pass element power dissipation, there is power dissipation within the MCP1799 as a result of quiescent or ground current. The power dissipation, as a result of the ground current, can be calculated by applying Equation 5-2:

#### EQUATION 5-2:

$$P_{I(GND)} = V_{IN(MAX)} \times I_{GND}$$

Where:

$P_{I(GND)}$  = Power dissipation due to the ground current of the LDO

$V_{IN(MAX)}$  = Maximum input voltage

$I_{GND}$  = Current flowing into the GND pin

The total power dissipated within the MCP1799 is the sum of the power dissipated in the LDO pass device and the  $P_{I(GND)}$  term. Because of the CMOS construction, the typical  $I_{GND}$  for the MCP1799 is typical 50 µA at full load. Operating at a maximum  $V_{IN}$  of 45V results in a power dissipation of 2.25 mW.

For most applications, this is small compared to the LDO pass device power dissipation, and can be neglected.

The maximum continuous operating junction temperature specified for the MCP1799 is +150°C. To estimate the internal junction temperature of the MCP1799, the total internal power dissipation is multiplied by the thermal resistance from junction-to-ambient ( $R_{\theta JA}$ ) of the device. For example, the thermal resistance from junction-to-ambient for the 3-Lead SOT-223 package is estimated at 70°C/W.

#### EQUATION 5-3:

$$T_{J(MAX)} = P_{LDO} \times \theta_{JA} + T_{A(MAX)}$$

Where:

$T_{J(MAX)}$  = Maximum continuous junction temperature

$P_{LDO}$  = Total power dissipation of the device

$\theta_{JA}$  = Thermal resistance from junction-to-ambient

$T_{A(MAX)}$  = Maximum ambient temperature

The maximum power dissipation capability for a package can be calculated given the junction-to-ambient thermal resistance and the maximum ambient temperature for the application. Equation 5-4 can be used to determine the package maximum internal power dissipation.

## EQUATION 5-4:

$$P_{D(MAX)} = \frac{(T_{J(MAX)} - T_{A(MAX)})}{\theta_{JA}}$$

Where:

- $P_{D(MAX)}$  = Maximum power dissipation of the device
- $T_{J(MAX)}$  = Maximum continuous junction temperature
- $T_{A(MAX)}$  = Maximum ambient temperature
- $\theta_{JA}$  = Thermal resistance from junction-to-ambient

## EQUATION 5-5:

$$T_{J(RISE)} = P_{D(MAX)} \times \theta_{JA}$$

Where:

- $T_{J(RISE)}$  = Rise in the device junction temperature over the ambient temperature
- $P_{D(MAX)}$  = Maximum power dissipation of the device
- $\theta_{JA}$  = Thermal resistance from junction-to-ambient

## EQUATION 5-6:

$$T_J = T_{J(RISE)} + T_A$$

Where:

- $T_J$  = Junction temperature
- $T_{J(RISE)}$  = Rise in the device junction temperature over the ambient temperature
- $T_A$  = Ambient temperature

## 5.3 Typical Application Examples

Internal power dissipation, junction temperature rise, junction temperature and maximum power dissipation are calculated in the following example. The power dissipation as a result of ground current is small enough to be neglected.

### 5.3.1 POWER DISSIPATION EXAMPLE

#### EXAMPLE 5-1:

##### Package

Package Type = 3 Lead SOT223

##### Input Voltage

$$V_{IN} = 14V \pm 5\%$$

##### LDO Output Voltage and Current

$$V_{OUT} = 5V$$

$$I_{OUT} = 50 \text{ mA}$$

##### Maximum Ambient Temperature

$$T_{A(MAX)} = +60^\circ\text{C}$$

##### Internal Power Dissipation

$$P_{LDO(MAX)} = (V_{IN(MAX)} - V_{OUT(MIN)}) \times I_{OUT(MAX)}$$

$$P_{LDO} = (14.7 - 4.9) \times 50 \text{ mA}$$

$$P_{LDO} = 0.49 \text{ Watts}$$

### 5.3.1.1 Device Junction Temperature Rise

The internal junction temperature rise is a function of internal power dissipation and of the thermal resistance from junction-to-ambient for the application. The thermal resistance from junction-to-ambient ( $\theta_{JA}$ ) is derived from EIA/JEDEC standards for measuring thermal resistance. The EIA/JEDEC specification is JESD51. The standard describes the test method and board specifications for measuring the thermal resistance from junction-to-ambient. The actual thermal resistance for a particular application can vary depending on many factors such as copper area and thickness. Refer to Application Note AN792, "A Method to Determine How Much Power a SOT23 Can Dissipate in an Application" (DS00792), for more information regarding this subject.

#### EXAMPLE 5-2:

$$T_{J(RISE)} = P_{LDO(Max)} \times \theta_{JA}$$

$$T_{J(RISE)} = 0.49W \times 70^\circ\text{C/W}$$

$$T_{J(RISE)} = 34.3^\circ\text{C}$$

### 5.3.1.2 Junction Temperature Estimate

To estimate the internal junction temperature, the calculated temperature rise is added to the ambient or offset temperature. For this example, the worst-case junction temperature is estimated below:

#### EXAMPLE 5-3:

$$T_J = T_{J(RISE)} + T_{A(MAX)}$$

$$T_J = 34.3^\circ\text{C} + 60.0^\circ\text{C}$$

$$T_J = 94.3^\circ\text{C}$$

### 5.3.1.3 Maximum Package Power Dissipation at +60°C Ambient Temperature

#### EXAMPLE 5-4:

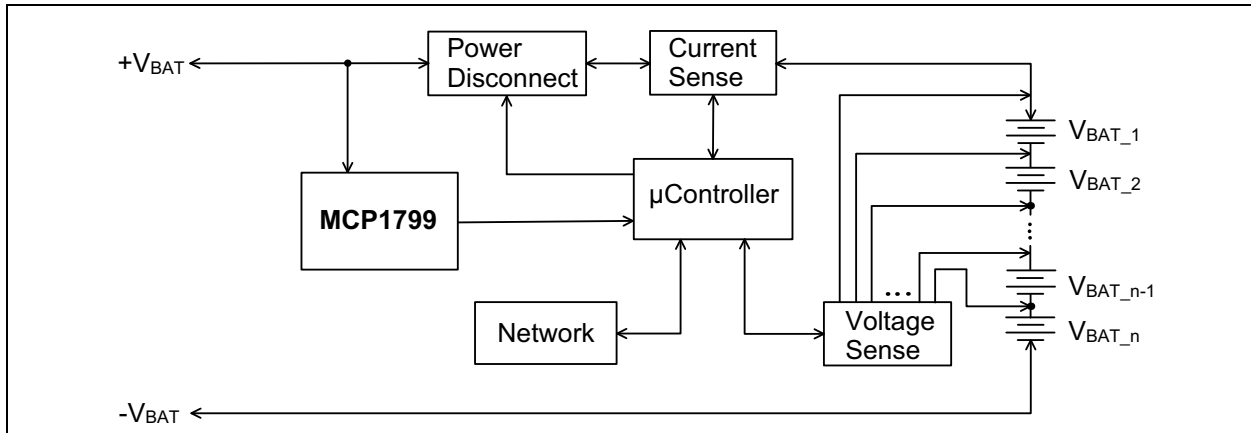
##### 3Lead SOT223 ( $\theta_{JA} = 70^\circ\text{C/W}$ ):

$$P_{D(MAX)} = (150^\circ\text{C} - 60^\circ\text{C})/70^\circ\text{C/W}$$

$$P_{D(MAX)} = 1.28W$$

## 6.0 BATTERY PACK APPLICATION

The features of the MCP1799 make it a candidate for use in smart battery packs. The high input voltage range of up to 45V and the transient voltage capability makes it ideal for powering low power microcontrollers used for monitoring battery health.



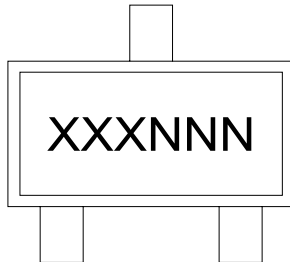
**FIGURE 6-1:** Smart Battery Pack Application Example.



## 7.0 PACKAGING INFORMATION

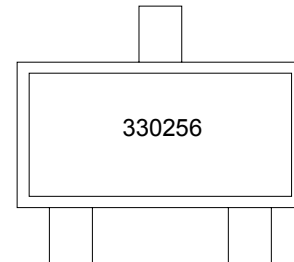
### 7.1 Package Marking Information

3-Lead SOT-23

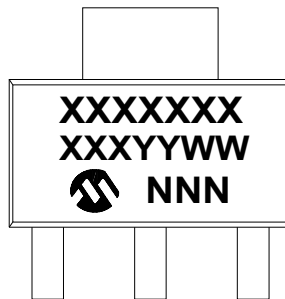


| Part Number       | Code   |
|-------------------|--------|
| MCP1799T-3302H/TT | 330256 |
| MCP1799T-5002H/TT | 500256 |

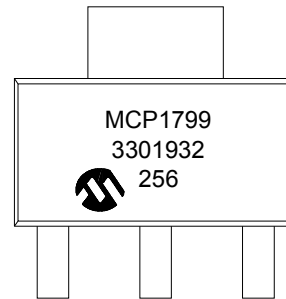
Example



3-Lead SOT-223



Example

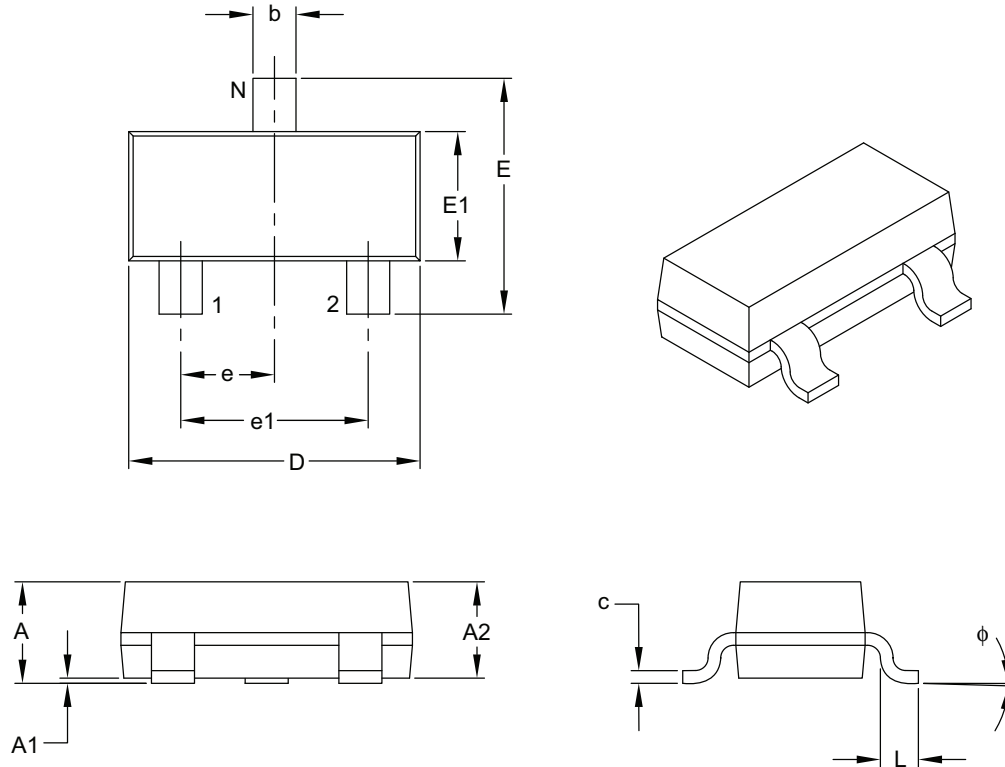


|                |        |  |
|----------------|--------|--|
| <b>Legend:</b> | XX...X | Customer-specific information  |
|                | Y      | Year code (last digit of calendar year)  |
|                | YY     | Year code (last 2 digits of calendar year)   |
|                | WW     | Week code (week of January 1 is week '01')   |
|                | NNN    | Alphanumeric traceability code   |
|                | (e3)   | Pb-free JEDEC® designator for Matte Tin (Sn)   |
|                | *      | This package is Pb-free. The Pb-free JEDEC designator (e3) can be found on the outer packaging for this package. |

**Note:** In the event the full Microchip part number cannot be marked on one line, it will be carried over to the next line, thus limiting the number of available characters for customer-specific information.

## 3-Lead Plastic Small Outline Transistor (TT) [SOT-23]

**Note:** For the most current package drawings, please see the Microchip Packaging Specification located at <http://www.microchip.com/packaging>



| Dimension Limits         | Units | MILLIMETERS |      |      |
|--------------------------|-------|-------------|------|------|
|                          |       | MIN         | NOM  | MAX  |
| Number of Pins           | N     | 3           |      |      |
| Lead Pitch               | e     | 0.95 BSC    |      |      |
| Outside Lead Pitch       | e1    | 1.90 BSC    |      |      |
| Overall Height           | A     | 0.89        | –    | 1.12 |
| Molded Package Thickness | A2    | 0.79        | 0.95 | 1.02 |
| Standoff                 | A1    | 0.01        | –    | 0.10 |
| Overall Width            | E     | 2.10        | –    | 2.64 |
| Molded Package Width     | E1    | 1.16        | 1.30 | 1.40 |
| Overall Length           | D     | 2.67        | 2.90 | 3.05 |
| Foot Length              | L     | 0.13        | 0.50 | 0.60 |
| Foot Angle               | φ     | 0°          | –    | 10°  |
| Lead Thickness           | c     | 0.08        | –    | 0.20 |
| Lead Width               | b     | 0.30        | –    | 0.54 |

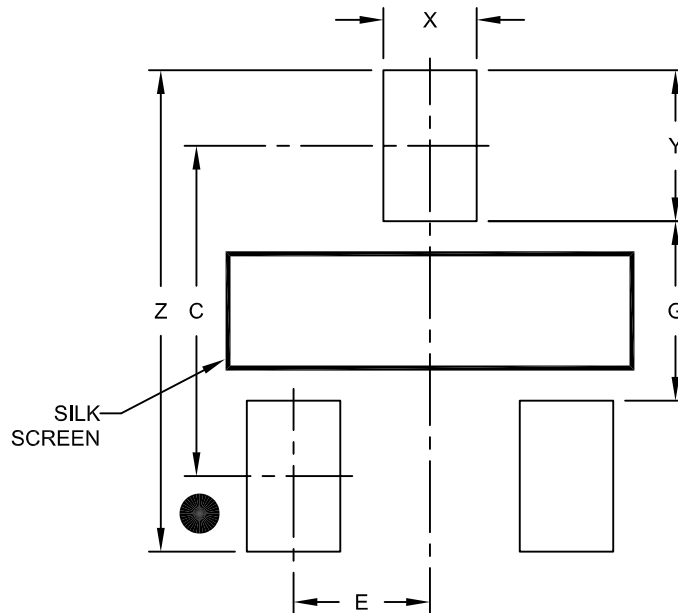
**Notes:**

- Dimensions D and E1 do not include mold flash or protrusions. Mold flash or protrusions shall not exceed 0.25 mm per side.
- Dimensioning and tolerancing per ASME Y14.5M.  
BSC: Basic Dimension. Theoretically exact value shown without tolerances.

Microchip Technology Drawing C04-104B

## 3-Lead Plastic Small Outline Transistor (TT) [SOT-23]

**Note:** For the most current package drawings, please see the Microchip Packaging Specification located at <http://www.microchip.com/packaging>



RECOMMENDED LAND PATTERN

| Dimension Limits        | Units | MILLIMETERS |      |      |
|-------------------------|-------|-------------|------|------|
|                         |       | MIN         | NOM  | MAX  |
| Contact Pitch           | E     | 0.95 BSC    |      |      |
| Contact Pad Spacing     | C     |             | 2.30 |      |
| Contact Pad Width (X3)  | X     |             |      | 0.65 |
| Contact Pad Length (X3) | Y     |             |      | 1.05 |
| Distance Between Pads   | G     | 1.25        |      |      |
| Overall Width           | Z     |             |      | 3.35 |

**Notes:**

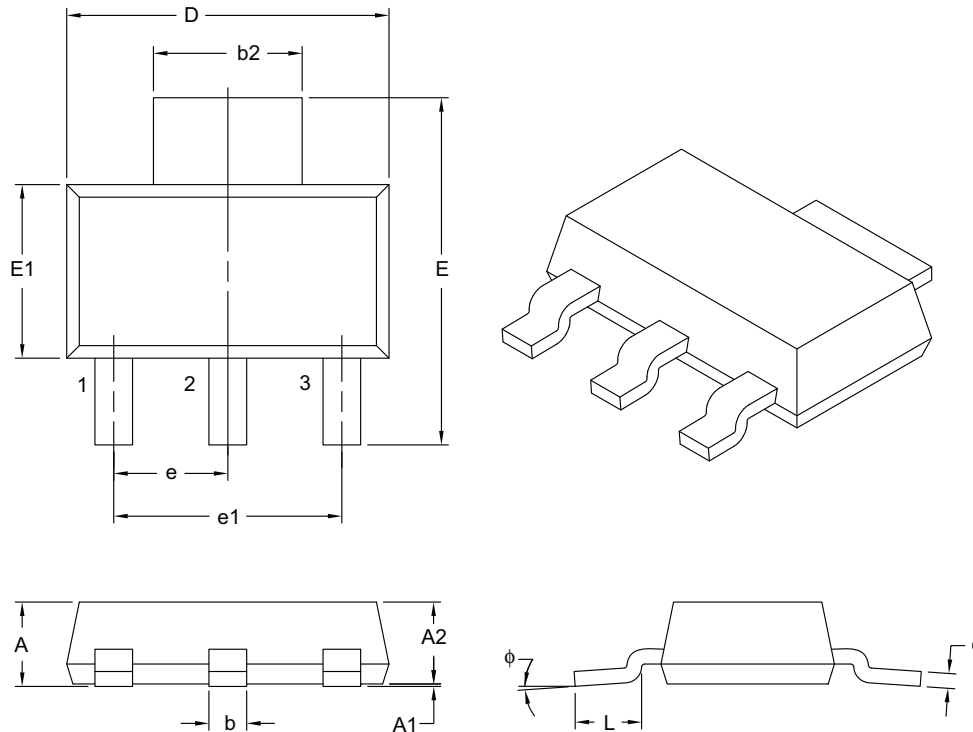
1. Dimensioning and tolerancing per ASME Y14.5M

BSC: Basic Dimension. Theoretically exact value shown without tolerances.

Microchip Technology Drawing No. C04-2104A

## 3-Lead Plastic Small Outline Transistor (DB) [SOT-223]

**Note:** For the most current package drawings, please see the Microchip Packaging Specification located at <http://www.microchip.com/packaging>



| Dimension Limits      | Units  | MILLIMETERS |      |      |
|-----------------------|--------|-------------|------|------|
|                       |        | MIN         | NOM  | MAX  |
| Number of Leads       | N      | 3           |      |      |
| Lead Pitch            | e      | 2.30 BSC    |      |      |
| Outside Lead Pitch    | e1     | 4.60 BSC    |      |      |
| Overall Height        | A      | –           | –    | 1.80 |
| Standoff              | A1     | 0.02        | –    | 0.10 |
| Molded Package Height | A2     | 1.50        | 1.60 | 1.70 |
| Overall Width         | E      | 6.70        | 7.00 | 7.30 |
| Molded Package Width  | E1     | 3.30        | 3.50 | 3.70 |
| Overall Length        | D      | 6.30        | 6.50 | 6.70 |
| Lead Thickness        | c      | 0.23        | 0.30 | 0.35 |
| Lead Width            | b      | 0.60        | 0.76 | 0.84 |
| Tab Lead Width        | b2     | 2.90        | 3.00 | 3.10 |
| Foot Length           | L      | 0.75        | –    | –    |
| Lead Angle            | $\phi$ | 0°          | –    | 10°  |

**Notes:**

1. Dimensions D and E1 do not include mold flash or protrusions. Mold flash or protrusions shall not exceed 0.127 mm per side.

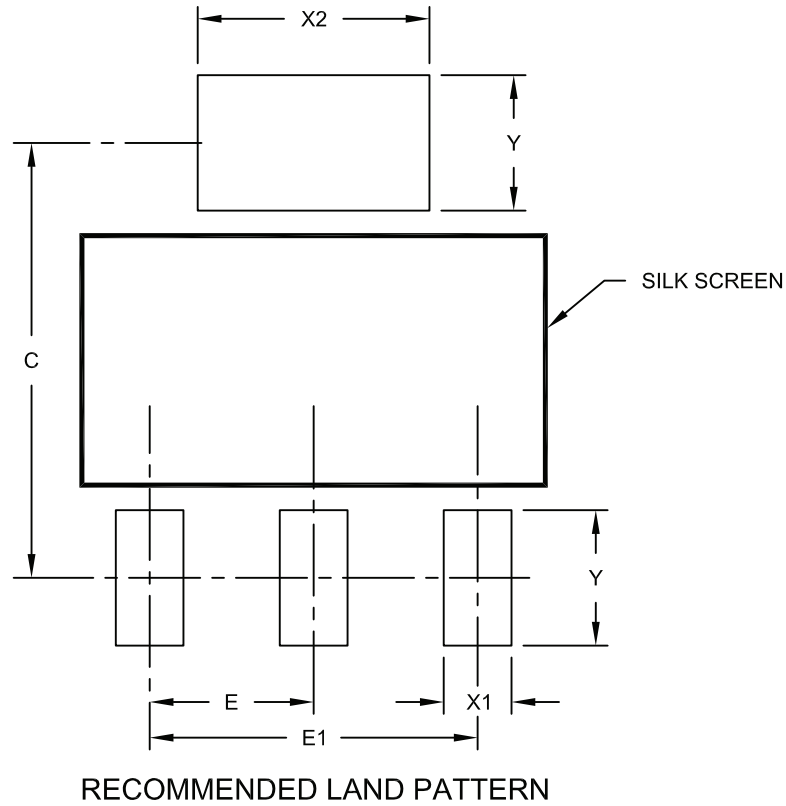
2. Dimensioning and tolerancing per ASME Y14.5M.

BSC: Basic Dimension. Theoretically exact value shown without tolerances.

Microchip Technology Drawing C04-032B

## 3-Lead Plastic Small Outline Transistor (DB) [SOT-223]

**Note:** For the most current package drawings, please see the Microchip Packaging Specification located at <http://www.microchip.com/packaging>



| Dimension Limits    | Units | MILLIMETERS |      |      |
|---------------------|-------|-------------|------|------|
|                     |       | MIN         | NOM  | MAX  |
| Contact Pitch       | E     | 2.30 BSC    |      |      |
| Overall Pitch       | E1    | 4.60 BSC    |      |      |
| Contact Pad Spacing | C     |             | 6.10 |      |
| Contact Pad Width   | X1    |             |      | 0.95 |
| Contact Pad Width   | X2    |             |      | 3.25 |
| Contact Pad Length  | Y     |             |      | 1.90 |

**Notes:**

1. Dimensioning and tolerancing per ASME Y14.5M

BSC: Basic Dimension. Theoretically exact value shown without tolerances.

Microchip Technology Drawing No. C04-2032A

## APPENDIX A: REVISION HISTORY

### Revision A (September 2019)

- Initial release of this document.

## PRODUCT IDENTIFICATION SYSTEM

To order or obtain information, e.g., on pricing or delivery, refer to the factory or the listed sales office.

| <u>PART NO.</u>   | <u>X<sup>(1)</sup></u> | <u>-XX</u>   | <u>X</u>   | <u>X</u>  | <u>X/</u> | <u>XX</u> |  |
|---|------------------------|--|--|-----------|-----------|-----------|--|
| Device  | Tape and Reel          | Output Voltage   | Featured Code  | Tolerance | Temp.     | Package   |  |
| <b>Device:</b>  |                        | MCP1799:   | High-voltage, low-dropout LDO Regulator, Tube          |           |           |           |  |
|   |                        | MCP1799T:  | High-voltage, low-dropout LDO Regulator, Tape and Reel |           |           |           |  |
| <b>Standard Output Voltages:</b>  |                        | 33   | = 3.3V   |           |           |           |  |
|   |                        | 50   | = 5.0V   |           |           |           |  |
| <b>Temperature:</b>   |                        | H  | = -40°C to +150°C                                      |           |           |           |  |
| <b>Feature Code:</b>  |                        | 0  | = Fixed  |           |           |           |  |
| <b>Tolerance:</b>   |                        | 2  | = Standard Accuracy                                    |           |           |           |  |
| <b>Package Type:</b>  |                        | TT   | = 3-Lead Plastic Small Outline Transistor, SOT-23      |           |           |           |  |
|   |                        | DB   | = 3-Lead Plastic Small Outline Transistor, SOT-223     |           |           |           |  |
| <b>Examples:</b>  |                        |  |  |           |           |           |  |
| a)  | MCP1799T-3302H/TT:     | Tape and Reel, 3.3V output voltage, Automotive temperature, 3-LD SOT-23 package  |  |           |           |           |  |
| b)  | MCP1799T-5002H/TT:     | Tape and Reel, 5.0V output voltage, Automotive temperature, 3-LD SOT-23 package  |  |           |           |           |  |
| c)  | MCP1799-3302H/DB:      | Tube, 3.3V output voltage, Automotive temperature, 3-LD SOT-223 package          |  |           |           |           |  |
| d)  | MCP1799-5002H/DB:      | Tube, 5.0V output voltage, Automotive temperature, 3-LD SOT-223 package          |  |           |           |           |  |
| e)  | MCP1799T-3302H/DB:     | Tape and Reel, 3.3V output voltage, Automotive temperature, 3-LD SOT-223 package |  |           |           |           |  |
| f)  | MCP1799T-5002H/DB:     | Tape and Reel, 5.0V output voltage, Automotive temperature, 3-LD SOT-223 package |  |           |           |           |  |
| <b>Note 1:</b> Tape and Reel identifier only appears in the catalog part number description. This identifier is used for ordering purposes and is not printed on the device package. Check with your Microchip Sales Office for package availability with the Tape and Reel option. |                        |  |  |           |           |           |  |

---

**Note the following details of the code protection feature on Microchip devices:**

- Microchip products meet the specification contained in their particular Microchip Data Sheet.
- Microchip believes that its family of products is one of the most secure families of its kind on the market today, when used in the intended manner and under normal conditions.
- There are dishonest and possibly illegal methods used to breach the code protection feature. All of these methods, to our knowledge, require using the Microchip products in a manner outside the operating specifications contained in Microchip's Data Sheets. Most likely, the person doing so is engaged in theft of intellectual property.
- Microchip is willing to work with the customer who is concerned about the integrity of their code.
- Neither Microchip nor any other semiconductor manufacturer can guarantee the security of their code. Code protection does not mean that we are guaranteeing the product as “unbreakable.”

Code protection is constantly evolving. We at Microchip are committed to continuously improving the code protection features of our products. Attempts to break Microchip's code protection feature may be a violation of the Digital Millennium Copyright Act. If such acts allow unauthorized access to your software or other copyrighted work, you may have a right to sue for relief under that Act.

---

Information contained in this publication regarding device applications and the like is provided only for your convenience and may be superseded by updates. It is your responsibility to ensure that your application meets with your specifications. MICROCHIP MAKES NO REPRESENTATIONS OR WARRANTIES OF ANY KIND WHETHER EXPRESS OR IMPLIED, WRITTEN OR ORAL, STATUTORY OR OTHERWISE, RELATED TO THE INFORMATION, INCLUDING BUT NOT LIMITED TO ITS CONDITION, QUALITY, PERFORMANCE, MERCHANTABILITY OR FITNESS FOR PURPOSE. Microchip disclaims all liability arising from this information and its use. Use of Microchip devices in life support and/or safety applications is entirely at the buyer's risk, and the buyer agrees to defend, indemnify and hold harmless Microchip from any and all damages, claims, suits, or expenses resulting from such use. No licenses are conveyed, implicitly or otherwise, under any Microchip intellectual property rights unless otherwise stated.

**Trademarks**

The Microchip name and logo, the Microchip logo, Adaptec, AnyRate, AVR, AVR logo, AVR Freaks, BesTime, BitCloud, chipKIT, chipKIT logo, CryptoMemory, CryptoRF, dsPIC, FlashFlex, flexPWR, HELDO, IGLOO, JukeBlox, KeeLoq, Klear, LANCheck, LinkMD, maXStylus, maXTouch, MediaLB, megaAVR, Microsemi, Microsemi logo, MOST, MOST logo, MPLAB, OptoLyzer, PackeTime, PIC, picoPower, PICSTART, PIC32 logo, PolarFire, Prochip Designer, QTouch, SAM-BA, SenGenuity, SpyNIC, SST, SST Logo, SuperFlash, Symmetricom, SyncServer, Tachyon, TempTrackr, TimeSource, tinyAVR, UNI/O, Vectron, and XMEGA are registered trademarks of Microchip Technology Incorporated in the U.S.A. and other countries.

APT, ClockWorks, The Embedded Control Solutions Company, EtherSynch, FlashTec, Hyper Speed Control, HyperLight Load, IntelliMOS, Libero, motorBench, mTouch, Powermite 3, Precision Edge, ProASIC, ProASIC Plus, ProASIC Plus logo, Quiet-Wire, SmartFusion, SyncWorld, Temux, TimeCesium, TimeHub, TimePictra, TimeProvider, Vite, WinPath, and ZL are registered trademarks of Microchip Technology Incorporated in the U.S.A.

Adjacent Key Suppression, AKS, Analog-for-the-Digital Age, Any Capacitor, AnyIn, AnyOut, BlueSky, BodyCom, CodeGuard, CryptoAuthentication, CryptoAutomotive, CryptoCompanion, CryptoController, dsPICDEM, dsPICDEM.net, Dynamic Average Matching, DAM, ECAN, EtherGREEN, In-Circuit Serial Programming, ICSP, INICnet, Inter-Chip Connectivity, JitterBlocker, KlearNet, KlearNet logo, memBrain, Mindi, MiWi, MPASM, MPF, MPLAB Certified logo, MPLIB, MPLINK, MultiTRAK, NetDetach, Omniscient Code Generation, PICDEM, PICDEM.net, PICKit, PICtail, PowerSmart, PureSilicon, QMatrix, REAL ICE, Ripple Blocker, SAM-ICE, Serial Quad I/O, SMART-I.S., SQI, SuperSwitcher, SuperSwitcher II, Total Endurance, TSHARC, USBCheck, VariSense, ViewSpan, WiperLock, Wireless DNA, and ZENA are trademarks of Microchip Technology Incorporated in the U.S.A. and other countries.

SQTP is a service mark of Microchip Technology Incorporated in the U.S.A.

The Adaptec logo, Frequency on Demand, Silicon Storage Technology, and Symmcom are registered trademarks of Microchip Technology Inc. in other countries.

GestIC is a registered trademark of Microchip Technology Germany II GmbH & Co. KG, a subsidiary of Microchip Technology Inc., in other countries.

All other trademarks mentioned herein are property of their respective companies.

© 2019, Microchip Technology Incorporated, All Rights Reserved.

ISBN: 978-1-5224-4995-9

For information regarding Microchip's Quality Management Systems, please visit [www.microchip.com/quality](http://www.microchip.com/quality).





# MICROCHIP

## Worldwide Sales and Service

### AMERICAS

**Corporate Office**  
2355 West Chandler Blvd.  
Chandler, AZ 85224-6199  
Tel: 480-792-7200  
Fax: 480-792-7277  
Technical Support:  
<http://www.microchip.com/support>  
Web Address:  
[www.microchip.com](http://www.microchip.com)

#### Atlanta

Duluth, GA  
Tel: 678-957-9614  
Fax: 678-957-1455

#### Austin, TX

Tel: 512-257-3370

#### Boston

Westborough, MA  
Tel: 774-760-0087  
Fax: 774-760-0088

#### Chicago

Itasca, IL  
Tel: 630-285-0071  
Fax: 630-285-0075

#### Dallas

Addison, TX  
Tel: 972-818-7423  
Fax: 972-818-2924

#### Detroit

Novi, MI  
Tel: 248-848-4000

#### Houston, TX

Tel: 281-894-5983

#### Indianapolis

Noblesville, IN  
Tel: 317-773-8323  
Fax: 317-773-5453  
Tel: 317-536-2380

#### Los Angeles

Mission Viejo, CA  
Tel: 949-462-9523  
Fax: 949-462-9608  
Tel: 951-273-7800

#### Raleigh, NC

Tel: 919-844-7510

#### New York, NY

Tel: 631-435-6000

#### San Jose, CA

Tel: 408-735-9110  
Tel: 408-436-4270

#### Canada - Toronto

Tel: 905-695-1980  
Fax: 905-695-2078

### ASIA/PACIFIC

**Australia - Sydney**  
Tel: 61-2-9868-6733

**China - Beijing**  
Tel: 86-10-8569-7000

**China - Chengdu**  
Tel: 86-28-8665-5511

**China - Chongqing**  
Tel: 86-23-8980-9588

**China - Dongguan**  
Tel: 86-769-8702-9880

**China - Guangzhou**  
Tel: 86-20-8755-8029

**China - Hangzhou**  
Tel: 86-571-8792-8115

**China - Hong Kong SAR**  
Tel: 852-2943-5100

**China - Nanjing**  
Tel: 86-25-8473-2460

**China - Qingdao**  
Tel: 86-532-8502-7355

**China - Shanghai**  
Tel: 86-21-3326-8000

**China - Shenyang**  
Tel: 86-24-2334-2829

**China - Shenzhen**  
Tel: 86-755-8864-2200

**China - Suzhou**  
Tel: 86-186-6233-1526

**China - Wuhan**  
Tel: 86-27-5980-5300

**China - Xian**  
Tel: 86-29-8833-7252

**China - Xiamen**  
Tel: 86-592-2388138

**China - Zhuhai**  
Tel: 86-756-3210040

### ASIA/PACIFIC

**India - Bangalore**  
Tel: 91-80-3090-4444

**India - New Delhi**  
Tel: 91-11-4160-8631

**India - Pune**  
Tel: 91-20-4121-0141

**Japan - Osaka**  
Tel: 81-6-6152-7160

**Japan - Tokyo**  
Tel: 81-3-6880-3770

**Korea - Daegu**  
Tel: 82-53-744-4301

**Korea - Seoul**  
Tel: 82-2-554-7200

**Malaysia - Kuala Lumpur**  
Tel: 60-3-7651-7906

**Malaysia - Penang**  
Tel: 60-4-227-8870

**Philippines - Manila**  
Tel: 63-2-634-9065

**Singapore**  
Tel: 65-6334-8870

**Taiwan - Hsin Chu**  
Tel: 886-3-577-8366

**Taiwan - Kaohsiung**  
Tel: 886-7-213-7830

**Taiwan - Taipei**  
Tel: 886-2-2508-8600

**Thailand - Bangkok**  
Tel: 66-2-694-1351

**Vietnam - Ho Chi Minh**  
Tel: 84-28-5448-2100

### EUROPE

**Austria - Wels**  
Tel: 43-7242-2244-39  
Fax: 43-7242-2244-393

**Denmark - Copenhagen**  
Tel: 45-4450-2828  
Fax: 45-4485-2829

**Finland - Espoo**  
Tel: 358-9-4520-820

**France - Paris**  
Tel: 33-1-69-53-63-20  
Fax: 33-1-69-30-90-79

**Germany - Garching**  
Tel: 49-8931-9700

**Germany - Haan**  
Tel: 49-2129-3766400

**Germany - Heilbronn**  
Tel: 49-7131-72400

**Germany - Karlsruhe**  
Tel: 49-721-625370

**Germany - Munich**  
Tel: 49-89-627-144-0  
Fax: 49-89-627-144-44

**Germany - Rosenheim**  
Tel: 49-8031-354-560

**Israel - Ra'anana**  
Tel: 972-9-744-7705

**Italy - Milan**  
Tel: 39-0331-742611  
Fax: 39-0331-466781

**Italy - Padova**  
Tel: 39-049-7625286

**Netherlands - Drunen**  
Tel: 31-416-690399  
Fax: 31-416-690340

**Norway - Trondheim**  
Tel: 47-7288-4388

**Poland - Warsaw**  
Tel: 48-22-3325737

**Romania - Bucharest**  
Tel: 40-21-407-87-50

**Spain - Madrid**  
Tel: 34-91-708-08-90  
Fax: 34-91-708-08-91

**Sweden - Gothenberg**  
Tel: 46-31-704-60-40

**Sweden - Stockholm**  
Tel: 46-8-5090-4654

**UK - Wokingham**  
Tel: 44-118-921-5800  
Fax: 44-118-921-5820