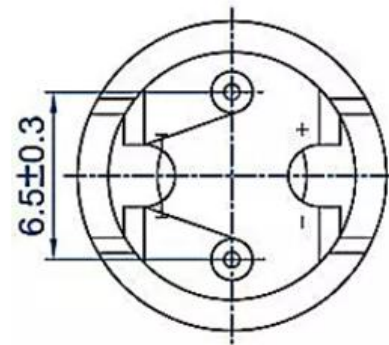
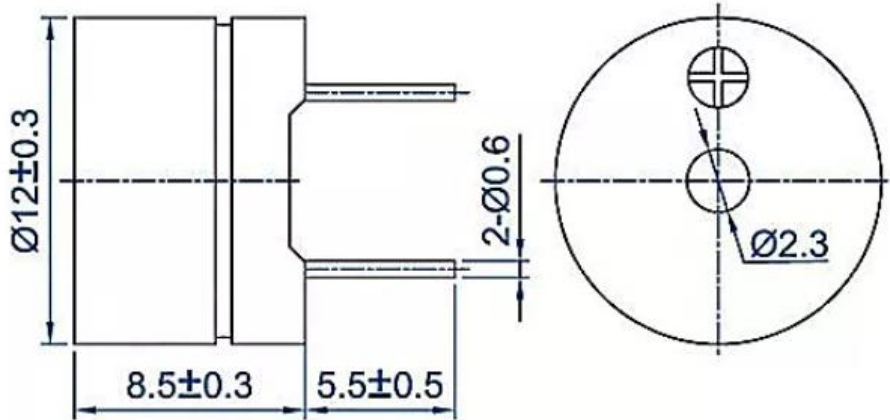
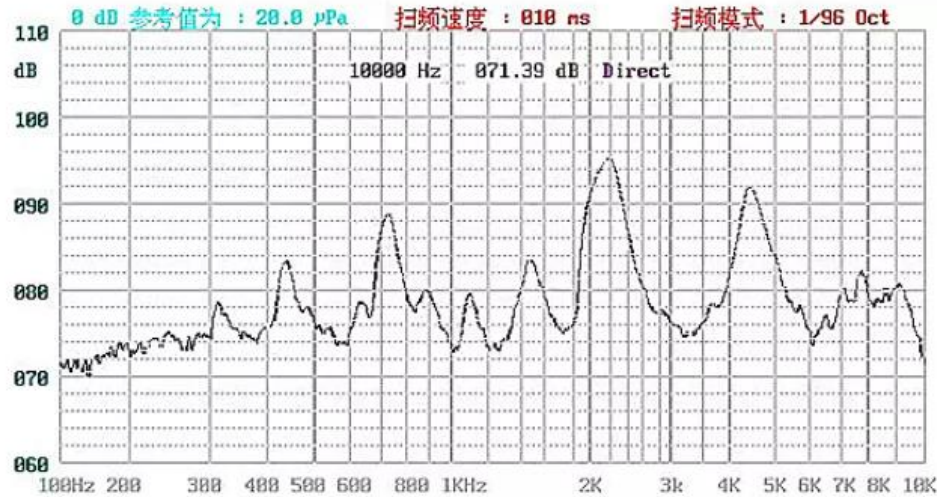


SPECIFICATION		
1	Model No.	CFD02-E
2	Rated Voltage (V)	1.5
3	Operating Voltage (V)	1~2
4	Resonant Frequency (Hz)	2048
5	Coil Resistance ( $\Omega$ )	16 $\pm$ 3
6	*Sound Output at 10cm (dB)	$\geq$ 80
7	*Current Consumption (mA)	$\leq$ 40
8	Operating Temperature ( $^{\circ}$ C)	-20~+70
9	Storage Temperature ( $^{\circ}$ C)	-30~+80
10	Weight (g)	1.3
11	Rohs	Yes

REVISION HISTORY			
LTR	DESCRIPTION	DATE	APPROVED
-	RELEASED FROM ENGINEERING	9/23/2003	
A			
C			
B			



NOTES:

- 1.ALL DIMENSIONS ARE IN MILLIMETERS
- 2.SPECIFICATIONS SUBJECT TO CHANGE WITHOUT NOTICE