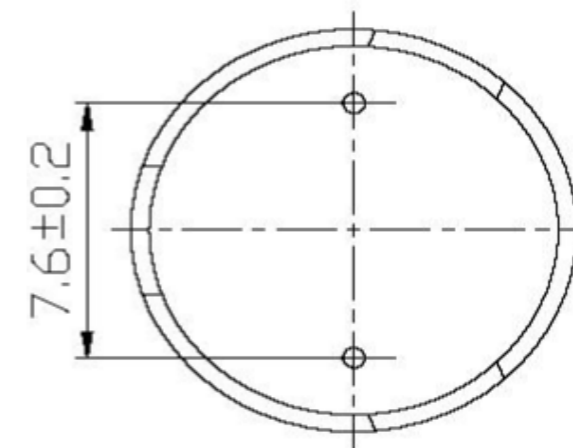
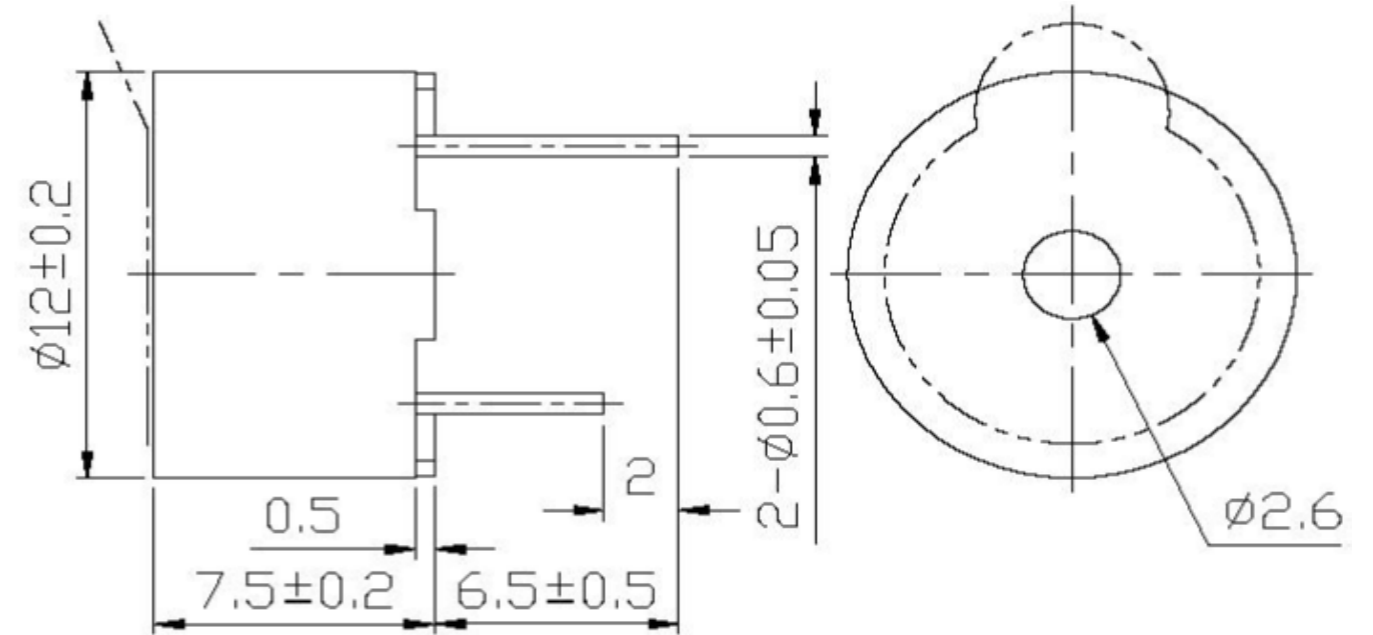
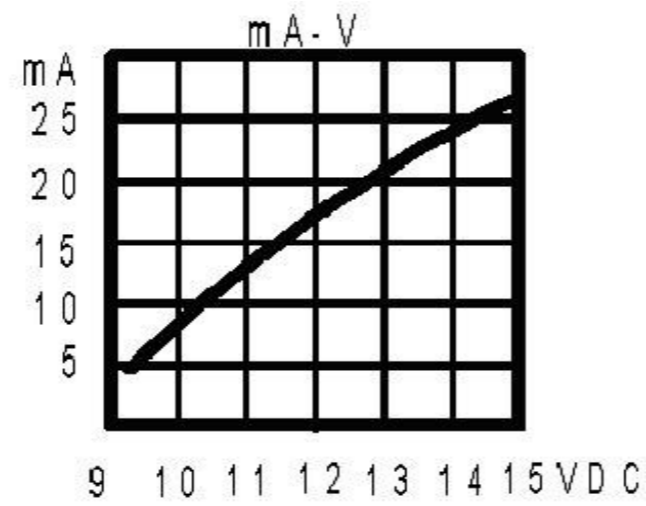
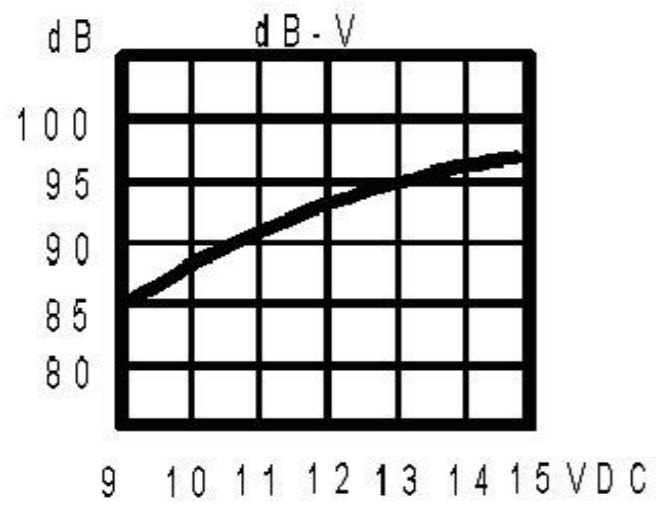


SPECIFICATION		
Model No.	CFG12-E	
1	Rated Voltage	12VDC
2	Operating Voltage	9~15VDC
3	*Current Consumption	≤30(mA)
4	*Sound Output at 10cm	≥88(dB)
5	Resonant Frequency	2300±300(Hz)
6	Operating Temperature	-20~+70(°C)
7	Storage Temperature	-30~+80(°C)
8	Weight	1.8 (g)
9	Case material	PPO

REVISION HISTORY			
LTR	DESCRIPTION	DATE	APPROVED
-	RELEASED FROM ENGINEERING	9/23/2003	
A			
C			
B			



NOTES:
 1. ALL DIMENSIONS ARE IN MILLIMETERS
 2. SPECIFICATIONS SUBJECT TO CHANGE WITHOUT NOTICE