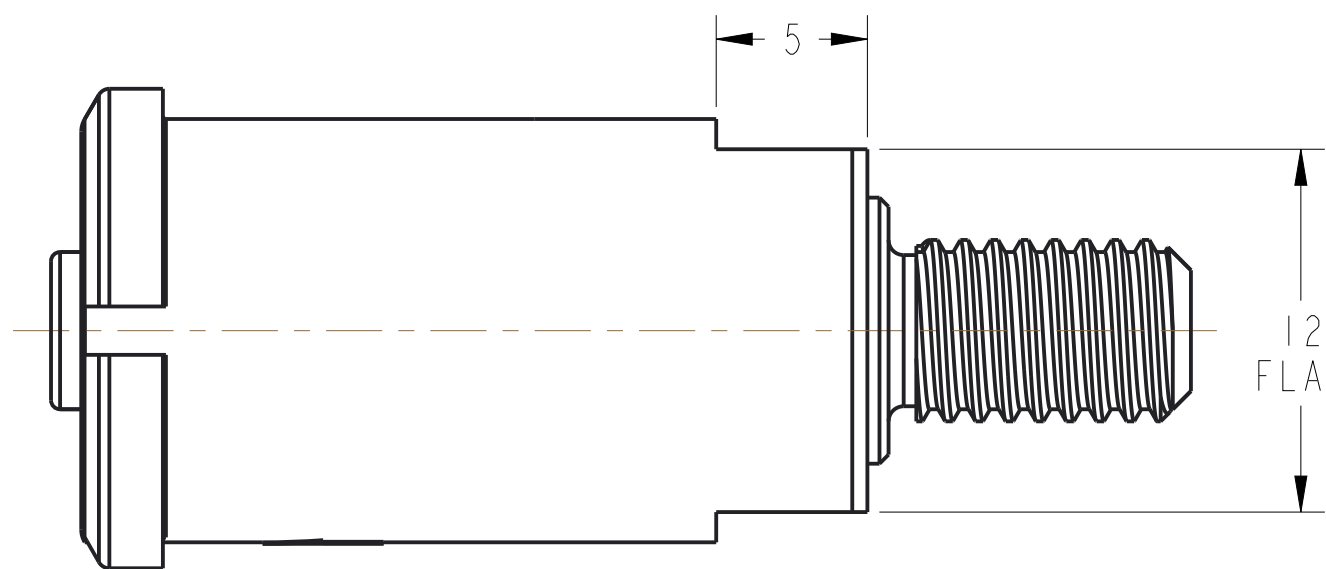
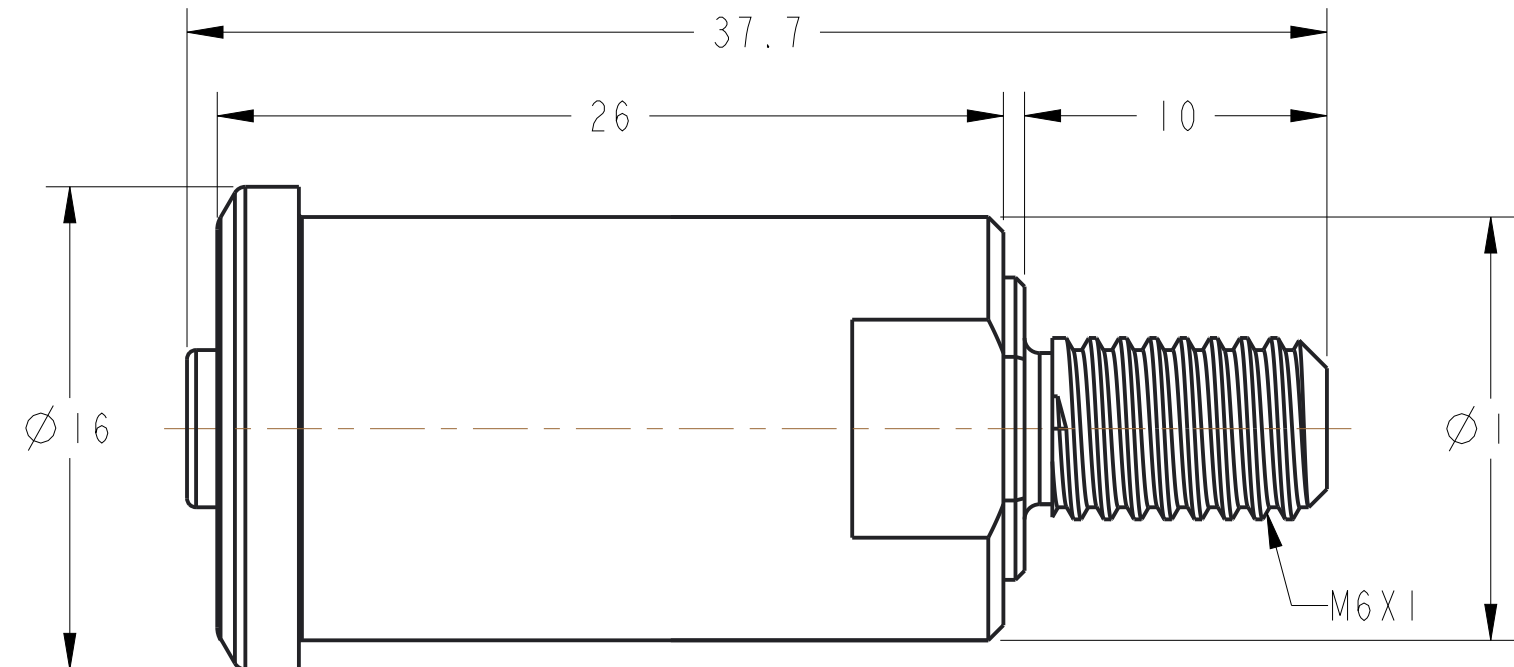
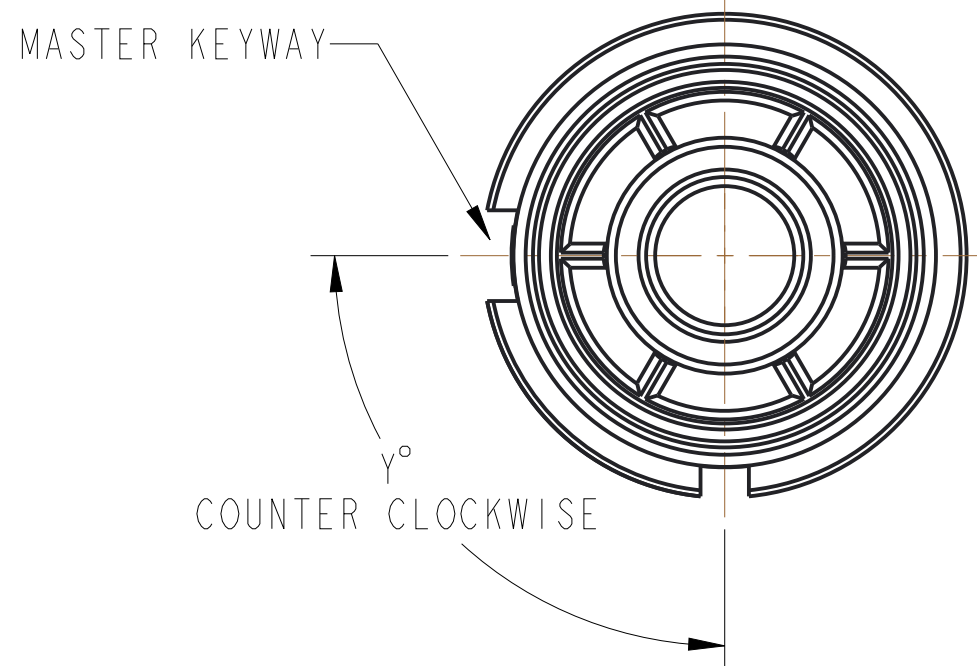
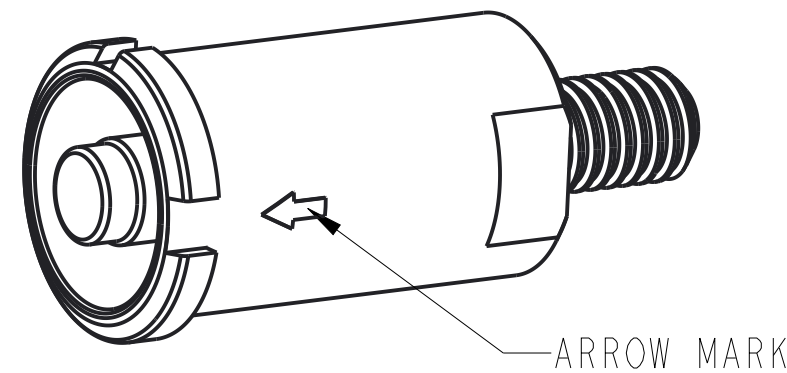


REV. E	SHEET 1 OF 1	DOCUMENT NO. C10-731457-( )
REVISIONS		
REV	DESCRIPTION	DATE
B	ADD PART NUMBER	2015-11-12
C	ADD KEYWAY	2016-05-21
D	ADD ARROW MARK	2016-09-30
E	UPDATED CURRENT RATING UPDATED TEMP. RATING & CODE	2016-11-11

GENERAL TOLERANCE

DIM. RANGE	0.5 ~ 3	> 3 ~ 6	> 6 ~ 30	> 30 ~ 120	> 120 ~ 400
TOLERANCE	±0.1	±0.1	±0.2	±0.3	±0.5

CUSTOMER DRAWING



MFG PART NUMBER:

C10-731457-( ) ( ) ( ) ( )

BASE NUMBER ( )  
 COLOR, SEE TABLE ( )  
 PIN TYPE, SEE TABLE ( )  
 SEALING, SEE TABLE ( )  
 KEYWAY, SEE TABLE ( )

CODE NUMBER REFERENCE:

SLP ( ) A ( ) N ( ) ( ) ( )

RECEPTACLE TYPE ( )  
 PIN TYPE, SEE TABLE ( )  
 WITHOUT FLANGE ( )  
 SEALING, SEE TABLE ( )  
 COLOR, SEE TABLE ( )  
 KEYWAY, SEE TABLE ( )

SPECIFICATIONS

CURRENT RATING	100A MAX FOR 16MM2 120A MAX FOR 25MM2
OPERATING VOLTAGE	1000V DC
OPERATING TEMPERATURE	-40°C TO 125°C
CONTACT RESISTANCE	0.5 mΩ
PROTECTION	TOUCH PROOF

ITEM	DESCRIPTION	MFG NUMBER	CODE NUMBER
RECEPTACLE TYPE	W/O KEYWAY	N/A	R
	WITH KEYWAY		IR
COLOR	ORANGE	0	O
	BLACK	1	B
	RED	2	R
PIN TYPE	SCREW	2	T
SEALING	IP67(MATED)	0	S
	NO SEALING	1	N
KEYWAY (Y°)	NO KEYWAY	BLANK	BLANK
	90°	0	0
	180°	1	1
	60°	2	2
	120°	3	3
	150°	4	4

1. THE REFERENCED PRODUCT IS IN COMPLIANCE WITH THE MAXIMUM CONCENTRATION VALUES (MCVS) AS SET BY ROHS 2.0 DIRECTIVE 2011/65/EU AND ANNEX II AMENDMENT DIRECTIVE (EU)2015/863.

NOTES:

THIS DOCUMENT CONTAINS PROPRIETARY INFORMATION AND SUCH INFORMATION MAY NOT BE DISCLOSED TO OTHERS FOR ANY PURPOSE OR USED FOR MANUFACTURING PURPOSES WITHOUT WRITTEN PERMISSION FROM THE AMPHENOL CORP.

N/A	PRO/ENGINEER INFORMATION
NEXT ASSEMBLY	Pro/e Model Used:
METRIC DOCUMENT	Drawing Name:
	10-731457.ASSEM
	10-731457.CUS

UNLESS OTHERWISE SPECIFIED	SPECIFICATIONS	POS	QTY	PART NUMBER	DESCRIPTION	NOTE
LINEAR DIMENSIONS ARE IN: MILLIMETERS	MATERIAL SPEC. N/A	APPROVALS		DATE	PARTS LIST	
TOLERANCES: ANGLES= ±2° DEFAULT LINEAR TOLERANCES SEE TABLE	PROCESS SPEC. N/A	PREPARED BY	SEVEN XIE	Sep-21-16	AMPHENOL INDUSTRIAL OPERATIONS	
DIM. & TOL. PER ASME Y14.5M-1994; DRM PER MIL-DTL-31000; OTHER AMPHENOL STANDARDS: 9-9318		ENGINEER IN CHARGE	SEVEN XIE		Amphenol Technology(Zhuhai)Co.,Ltd No.63, Xinghan Road, Sanzao Town, Jinwan, Zhuhai, PRC	
LEGENDS: △=FLAG NOTE CALL OUT REFERENCE ONLY		DESIGN MANAGER	ROB WENG		5.7MM SURLOK PLUS RECEPTACLE W/O FLANGE	
		DESIGN ACTIVITY GROUP	C&I		SIZE	CAGE CODE
		THIRD ANGLE PROJECTION		C	77820	C10-731457-( )
				SCALE: 4.0	REV. E	SHEET 1 OF 1