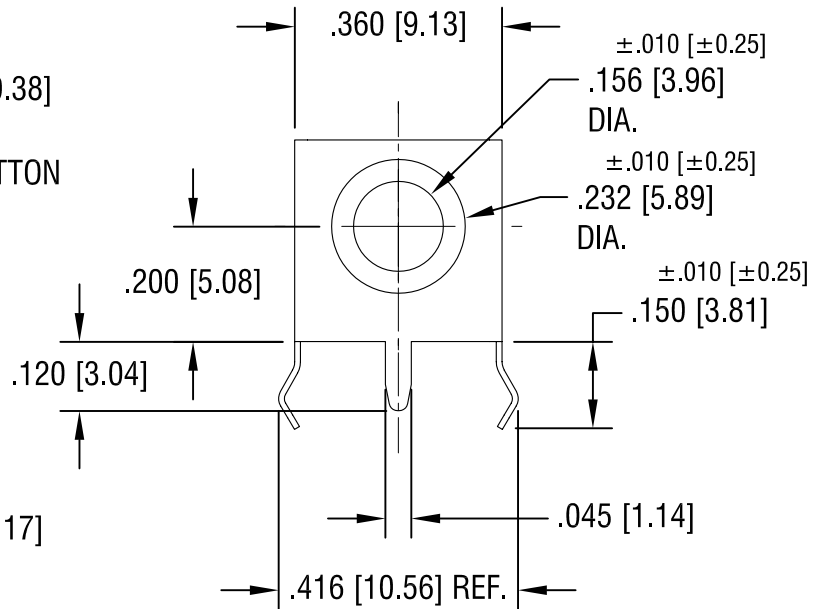
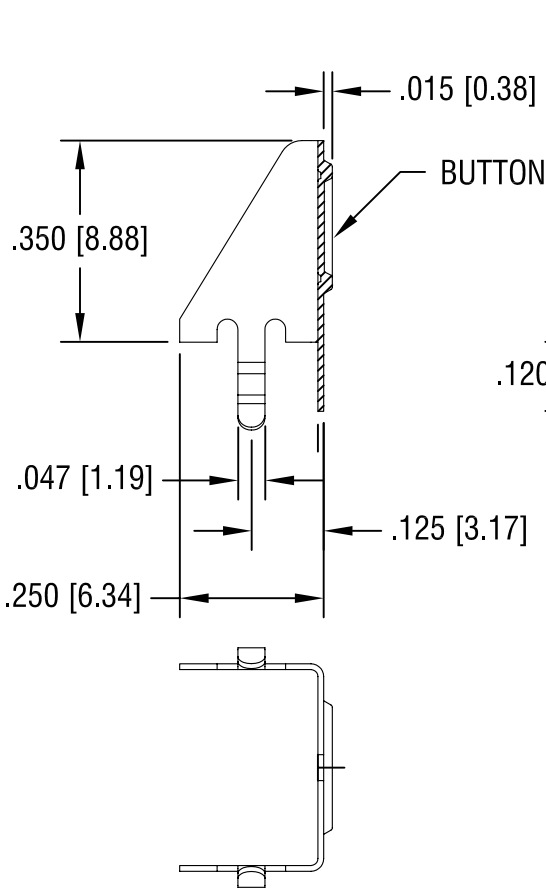
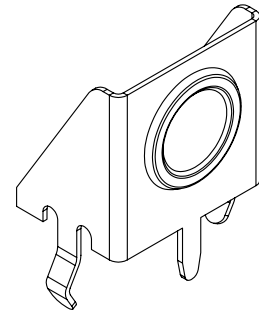
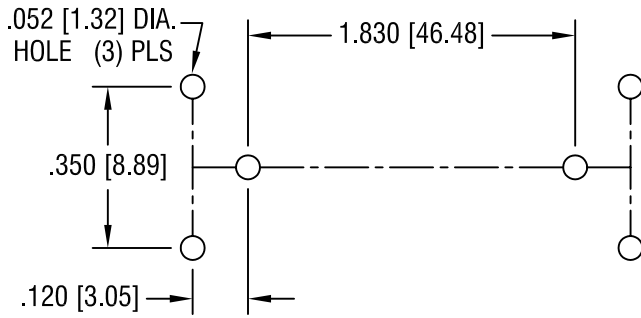


THIS DOCUMENT IS THE PROPERTY OF KEYSTONE ELECTRONICS CORP. AND SHALL NOT BE REPRODUCED, DISTRIBUTED OR USED AS A BASIS FOR MANUFACTURE WITHOUT PRIOR WRITTEN PERMISSION FROM KEYSTONE ELECTRONICS CORP.

RECOMMENDED LAYOUT FOR 'AAA' BATTERY USING ONE BUTTON (P/N 597) AND ONE SPRING (P/N 591) CONTACT



NOTE:

1. HEAT TREAT TO SPRING TEMPER.

KEYSTONE ELECTRONICS CORP.

www.keyelco.com • ASTORIA, N.Y. 11105-2017 • Tel (718) 956-8900

PART NAME

'AAA' PC SNAP-IN BUTTON CONTACT

MATERIAL

.010 [0.25] TH'K ANNEALED SPRING STEEL

FINISH

TIN NICKEL PLATE

DRN BY BOONE

DATE 1.17.05

APP'D LN

SCALE 3X

TOLERANCES

INCH [MM]
DECIMAL ±.005 [±0.15]

CODE

DWG NO.

C

597

9.03.08	CHANGE AS PER ECN 08-143	B
7.19.05	CHANGE AS PER ECN 05-050	A
DATE	DESCRIPTION	REV.