

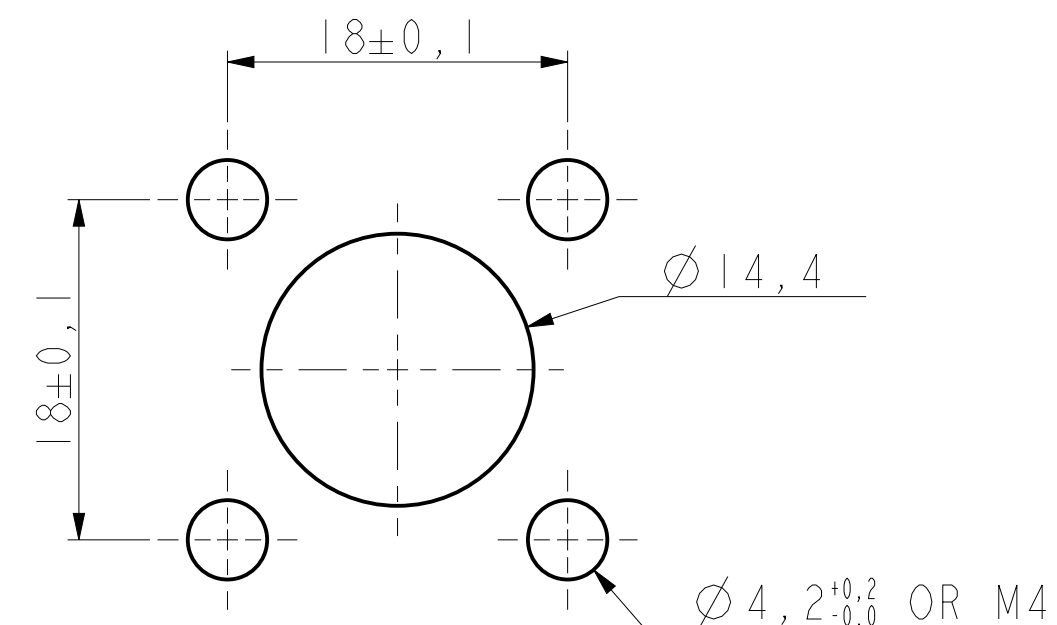
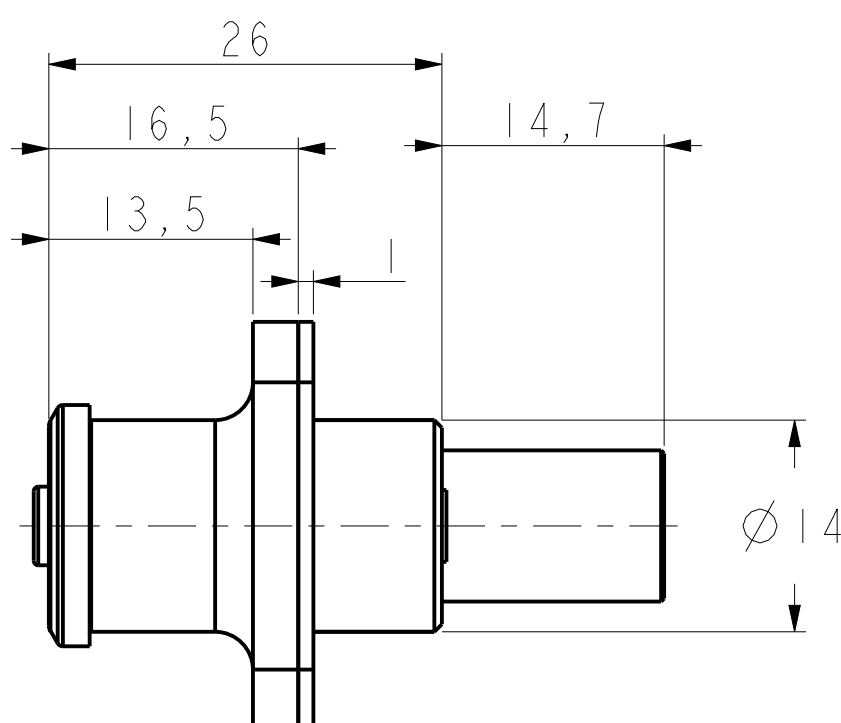
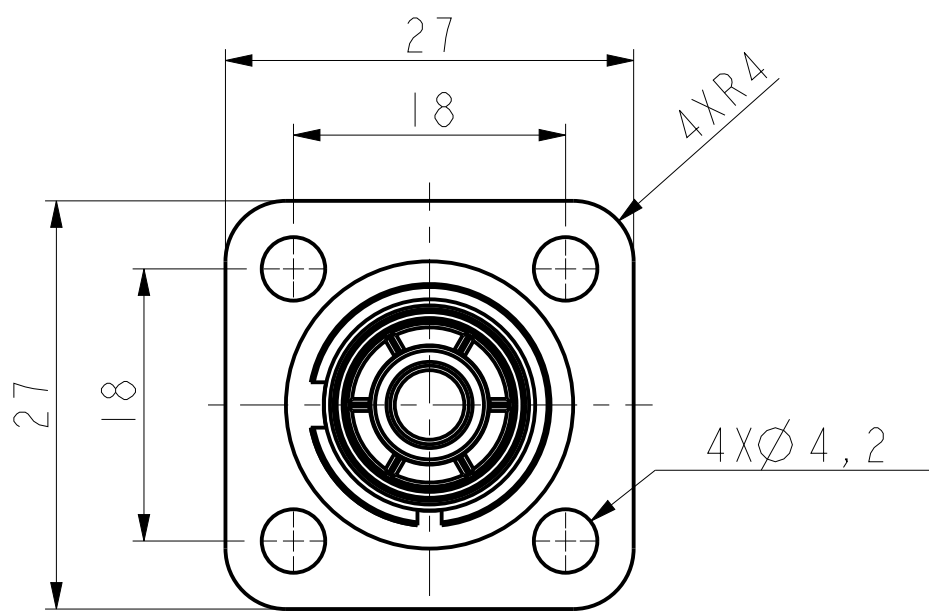
GENERAL TOLERANCE

DIM. RANGE	0.5 ~ 3	> 3 ~ 6	> 6 ~ 30	> 30 ~ 120	> 120 ~ 400
TOLERANCE	±0.1	±0.1	±0.2	±0.3	±0.5

CUSTOMER DRAWING



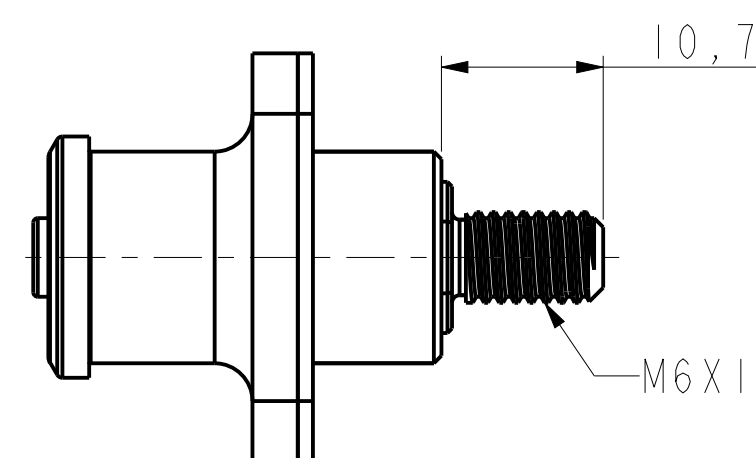
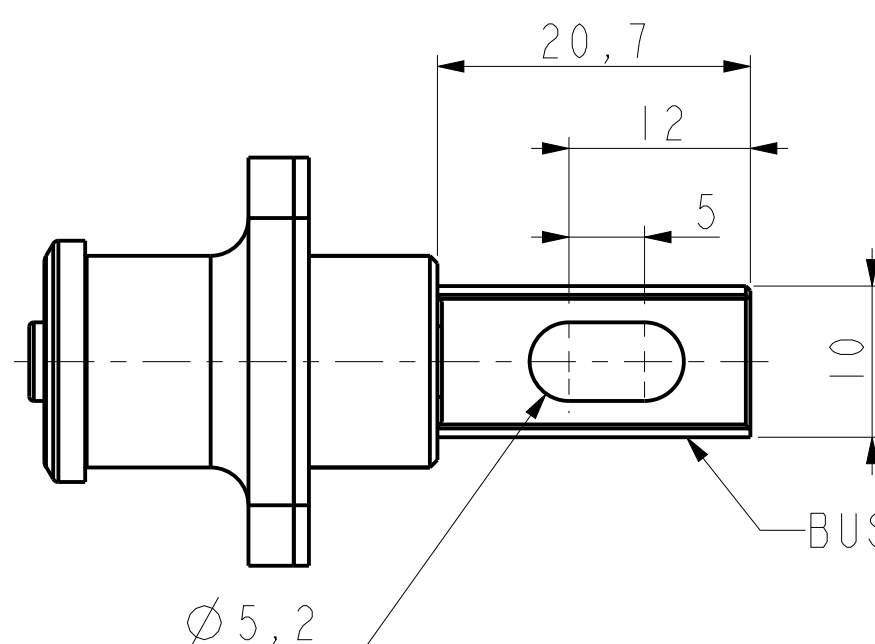
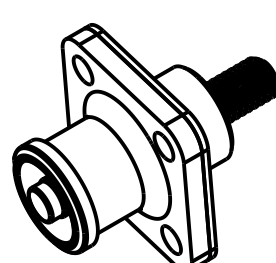
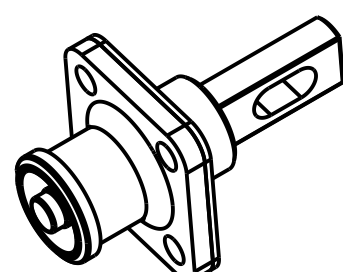
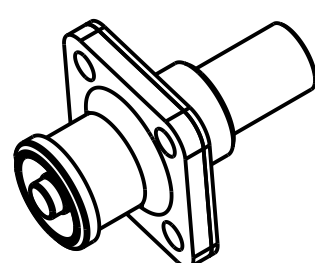
REV	DESCRIPTION	DATE
A	INITIAL RELEASE	2014-12-19
B	ADD 2 KINDS OF TYPE	2015-06-10
C	ADD KEYWAY TYPE MODIFY PART NUMBER DESCRIPTION	2015-05-30



CRIMP TYPE

BUSBAR TYPE

SCREW TYPE



SPECIFICATIONS

CURRENT RATING	120 Amps MAX
OPERATING VOLTAGE	1000V DC
OPERATING TEMPERATURE	-40°C-105°C
PROTECTION CLASS	IP67 (MATED)
PROTECTION	TOUCH PROOF

2. IF CHOOSE NO SEALING TYPE, THERE WILL BE NO O-RINGS AND GROMMET.

1. THE REFERENCED PRODUCT IS IN COMPLIANCE WITH THE MAXIMUM CONCENTRATION VALUES (MCVS) AS SET BY RoHS 2.0 DIRECTIVE 2011/65/EU AND ANNEX II AMENDMENT DIRECTIVE (EU)2015/863.

NOTES:

THIS DOCUMENT CONTAINS PROPRIETARY INFORMATION AND SUCH INFORMATION MAY NOT BE DISCLOSED TO OTHERS FOR ANY PURPOSE OR USED FOR MANUFACTURING PURPOSES WITHOUT WRITTEN PERMISSION FROM THE AMPHENOL CORP.

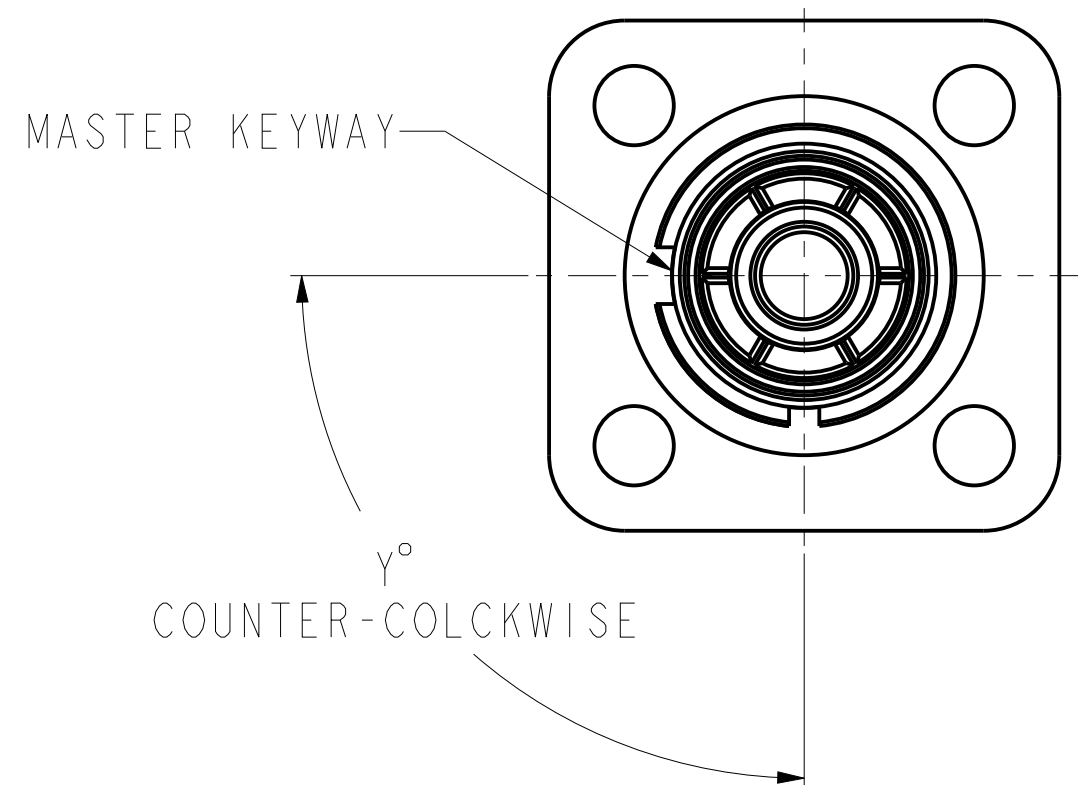
N/A	PRO/ENGINEER INFORMATION
NEXT ASSEMBLY	Pro/e Model Used:
METRIC DOCUMENT	Drawing Name:

UNLESS OTHERWISE SPECIFIED	SPECIFICATIONS	POS	QTY	PART NUMBER	DESCRIPTION	NOTE
LINER DIMENSIONS ARE IN: MILLIMETERS TOLERANCES: ANGLES= ±2° DEFAULT LINEAR TOLERANCES SEE TABLE DIM. & TOL. PER ASME Y14.5M-1994; DRM PER MIL-DTL-31000; OTHER AMPHENOL STANDARDS: 9-9318	MATERIAL SPEC. N/A	APPROVALS		DATE	PARTS LIST	
LEGENDS: =FLAG NOTE CALL OUT REFERENCE ONLY	PROCESS SPEC. N/A	PREPARED BY	SEVEN XIE	10-Mar-16	AMPHENOL INDUSTRIAL OPERATIONS	
		ENGINEER IN CHARGE	ROB WENG		Amphenol Technology(Zhuhai)Co.,Ltd No.63, Xinghan Road, Sanzao Town, Jinwan, Zhuhai, PRC	
		DESIGN MANAGER	DERIC LI		5.7MM SURLOK PLUS RECEPTACLE	
		DESIGN ACTIVITY GROUP	C&I		SIZE	REV.
		THIRD ANGLE PROJECTION			C	C
					CAGE CODE	DOCUMENT NO.
					77820	10-730187-()
					SCALE: 1,0	SHEET 1 OF 2

10-730187-() SHEET 1 OF 2 REV. C

10-730187-() SHEET 1 OF 2 REV. C

DOCUMENT NO. 10-730187-()
SHEET 2 OF 2
REV. C



MFG PART NUMBER: C10-730187- () () () ()

BASE NUMBER ()
 COLOR, SEE TABLE ()
 PIN TYPE, SEE TABLE ()
 SEALING, SEE TABLE ()
 KEYWAY, SEE TABLE ()

CODE NUMBER REFERENCE: SLPRA () P () () ()

BASE NUMBER ()
 PIN TYPE, SEE TABLE ()
 PANEL MOUNT ()
 SEALING, SEE TABLE ()
 COLOR, SEE TABLE ()
 KEYWAY, SEE TABLE ()

ITEM	DESCRIPTION	CODE NUMBER	MFG NUMBER
COLOR	ORANGE	O	0
	BLACK	B	1
	RED	R	2
PIN TYPE	25 MM2 CRIMPING	25C	0
	16 MM2 CRIMPING	16C	3
	BUSBAR	B	1
	SCREW	T	2
SEALING	IP67(MATED)	S	0
	NO SEALING	N	1
KEYWAY (Y°)	NO KEYWAY	BLANK	BLANK
	90°	0	0
	180°	1	1
	60°	2	2
	120°	3	3
	150°	4	4

NOTES:

THIS DOCUMENT CONTAINS PROPRIETARY INFORMATION AND SUCH INFORMATION MAY NOT BE DISCLOSED TO OTHERS FOR ANY PURPOSE OR USED FOR MANUFACTURING PURPOSES WITHOUT WRITTEN PERMISSION FROM THE AMPHENOL CORP.

SIZE C	CAGE CODE 77820	DOCUMENT NO. 10-730187-()	REV. C
SCALE: 2,0		REF:	SHEET 2 OF 2

REV. C
SHEET 2 OF 2
DOCUMENT NO. 10-730187-()