

TPM-3621RW

Arestech

IP66/69K Protected 21.5" Stainless Steel Industrial Monitor
with 5-Wire Resistive Wide Touch



Features

- IP66/69K Protected Stainless Steel 316 Flat Panel Design
- 21.5" LCD, 5-Wire Resistive, Resolution 1920 x 1080 (Full HD)
- 12 ~ 24 V DC power input (M12 Connector)
- VGA and USB (M12 Connector), HDMI port (IP67 Connector)
- VESA and Yoke mounting

Applications

- Food & Beverage Processing Industrial
- Pharmaceutical and Biopharmaceutical Equipment
- Embedded HMI Display System
- Factory Manufacturing Automation
- Chemical, Gas & Oil Critical Environment

→ Packing List

Description
1 xTPM-3621RW

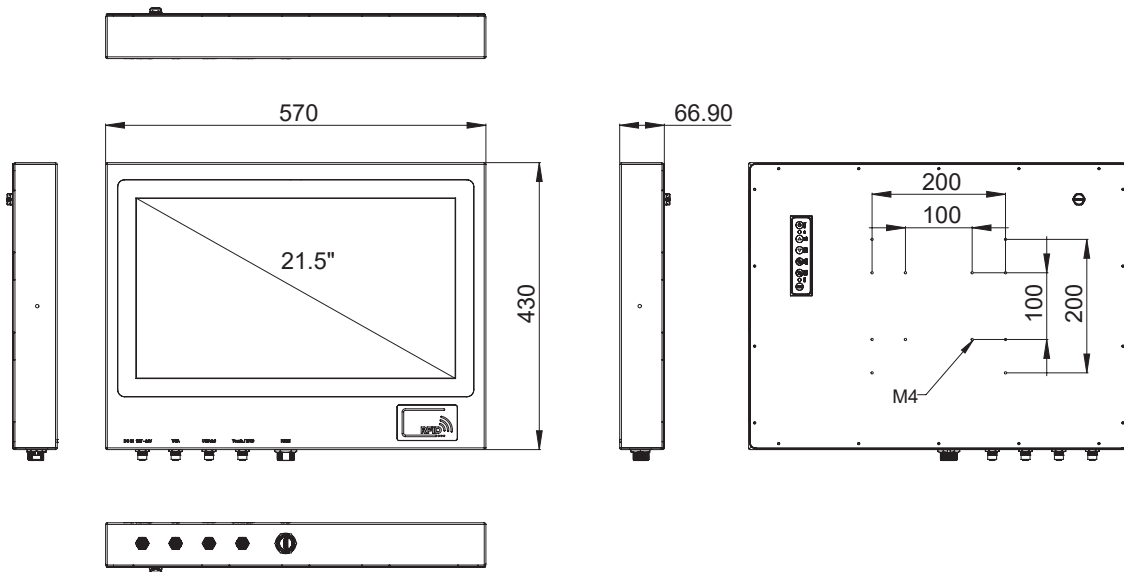
→ Optional Items

Part No.	Description
APW-60M12V-01	12V, 60W, 5A, 5-pin M12 Connector (US)
APW-60M12V-02	12V, 60W, 5A, 5-pin M12 Connector (EU)
AKT-VGA2M12-M	M12 Connector to DB15 Male Cable, 2m
AKT-TOURFIDM12	M12 Connector to Touch and RFID Cable, 2m
AKT-HDMI2IP67	IP67 Connector to HDMI Cable, 2m

→ Ordering Information

Part No.	Description
TPM-3621RW-B6A1	21.5" 16:9 (1920 x 1080), 250nits, Stainless Steel 316 Full IP66/69K Protection , with 5-wire Resistive touch screen, USB interface, 1 VGA, DC 12~24V, M12 connector, 1 HDMI IP67 Connector, 1RFID to connect panel PC, USB interface, M12 connector

→ Dimensions



→ Specifications

Model		TPM-3621RW-B6A1
LCD Panel	Panel Size	21.5"
	Aspect Ratio	16:9
	Resolution	1920 x 1080 (Full HD)
	Viewing Angle	85 x 85 (H) x 80 x 80 (V)
	Brightness	250 (cd/m ²)
	Contrast Ratio	1000:1
Touchscreen	Life Time	50,000 hrs
	Type	5-Wire Resistive
	Surface Hardness	3 Mohs
	Transparency	80% (±3%)
I/O Interface	On/Off Button	N/A
	Video Interface	1 VGA (M12 Connector), 1 HDMI (IP67 Waterproof Connector)
	Touch Interface	1 USB (M12 Connector)
	Audio	N/A
	Speaker	N/A
OSD Control	Others	1RFID to connect panel PC, USB interface, M12 connector, RFID Reader (UID Reader only, CARD TYPE: ISO 18092 Felica, ISO 14443A Mifare® Class, Ultralight), Ferquency: 13.56MHz
	Function Key	6 Keys: Menu, Up, Down, Auto Adjust, Monitor Power on/off, Funtion Key
Power	Power Input	12-24 V DC power input, single power source
	Power Connector	M12 connector
	Power Consumption	1.33A @ 12V (16W)
Mounting	VESA Mount	75mmx 75mm; 100mm x 100mm
	Panel Mount	N/A
	Others	Yoke mount
Environment	Operating Temperature	-20~60° C (-4~140° F)
	Storage Temperature	-20~60° C (-4~140° F)
	Humidity	5~95% @ 40° C, non-condensing
	Vibration	5-500 Hz, 0.026 G ² /Hz, 2.16 Grms, X, Y, Z, 1 hour per axis
	Shock	Full System IP66 Protection , Stainless Steel 316 (IP69K Protection by Option)
General	Certification	TBD
	Material, Surface Finish	Stainless Steel 316, Brush Finished
	True Flat	Yes
	Ingress Protection	Full System IP66 Protection
	Dimensions (W x H x D)	570 X 430 X 66.9mm (22.4" X 16.93" X 2.3")
	Net Weight	9.71 kg (21.4 lb)
Operating System	Windows 7/8.1/10, WES7, WE8S, Linux Fedora, Ubuntu	